



Bostik PM™

Multi-Purpose Polymer-Modified Thin Set Mortar

Use to Set All Types of Ceramic, Porcelain, Granite, Slate, Marble, Limestone, and Dimension Stone Tiles

For Interior and Exterior Use on Vertical and Horizontal Surfaces

Exceeds ANSI A118.4 and A118.11

Requirements for "Latex" Portland Cement Mortar

Description

Bostik® PM™ Multi-Purpose Polymer-Modified Thin Set Mortar is for interior or exterior installations to set all types of ceramic, porcelain, granite, slate, marble, limestone, and dimension stone tiles. Use over properly prepared concrete; structurally-sound, exterior grade plywood (interior/dry use only); cementitious backer board; Bostik Ultra-Set® Advanced, Bostik® Black-Top™ and Bostik®GoldPlus™; and existing, well-bonded vinyl/VCT or ceramic tile.

Directions for Use

Read and understand data sheet completely before beginning installation. Follow applicable ANSI installation standards and TCNA recommendations.

Surface Preparation

All surfaces must be structurally sound, clean, free of dust, dirt, oil, grease, water, curing compounds, sealers, waxes or any contaminants that may inhibit proper bond. TCNA recommends roughing or scarifying glazed tile substrates. NOTE: It is the user's responsibility to determine the condition and suitability of all surfaces before application.

Mixing

Using a slow speed mixer (<150 rpm), mix 5 to 5 1/2 quarts of clean, potable water to 50 lbs. of Bostik PM. Mix to creamy consistency. Allow mixture to stand 15 minutes, and re-mix prior to application. Do not re-temper by adding more water. Mix with water only.

Application

Apply a thin coat of Bostik PM with flat edge of trowel

to achieve a good mechanical bond to substrate. Comb additional mortar with the appropriate size notched trowel. If any evidence of skinning or setting occurs, re-comb mortar with notched trowel. Apply mortar to an area no greater than can be tiled in 20 to 30 minutes. Apply tile using a twisting motion into a fresh bed of mortar to ensure maximum contact and bond. Periodically check back of tile to ensure proper transfer (interior applications—minimum 80% coverage; exterior, wet, or plywood applications—minimum 95% coverage). A finished mortar bed thickness of 3/32" to 1/8" is required.

Application Over Plywood: Maximum joist spacing shall be 16" on center. Plywood shall be Underlayment Exterior Grade or C-C Plugged Exterior Grade plywood (or better). If the existing floor is less than 1" thick, glue and nail 15/32" or 1/2" APA Underlayment Exterior Grade or C-C Plugged Exterior Grade plywood to the floor. Glue and nail



BLOCKADE™
Antimicrobial
Protection

Bostik
Green Products
Initiative

using 5D or 6D (1-1/2" or 2") cement coated screw shank nails 6" on center along the panel edges and a maximum of 8" on center each way throughout the panel. Allow 1/8" gap between underlayment sheet edges and all areas that abut walls, drains, posts, etc., these areas shall be filled with mortar when tiles are installed. Clean and rough sand the plywood. Due to the limitations of plywood as a substrate, Bostik PM is not intended for use on plywood in exterior, wet interior, or applications subject to heavy/commercial traffic.

Application over Existing Vinyl/VCT Flooring: Vinyl must be clean and well-bonded to substrate. Do not install over cushion-backed or perimeter bonded sheet vinyl. Remove any

Typical Physical Properties	
Open Time at 70°F	40 - 70 minutes
Adjustment Time	50 - 90 minutes
Pot Life at 70°F	1 - 2 hours
Exceeds ANSI A118.4 and A118.11 requirements	
Shear Strength, 28 Days:	
Porcelain Tile	400 psi (ANSI REQ 200)
Glazed Wall Tile	443 psi (ANSI REQ 300)
Quarry Tile to Wood Tile*	300 psi (ANSI REQ 150)
28 Day Compressive Strength	3000 psi
All numbers represent minimum test results. * Wood failure (wood typically fails between 250 to 300 psi).	

loose pieces of vinyl or flooring. Ensure the exposed substrate is suitable for application.

Clean-Up

Clean all tools and equipment with soap and water. Do not allow material to dry on surface of tile.

Curing

Keep all foot traffic off the installation until tile is firmly set (roughly 12 hours). Set times vary based on temperature and humidity.

Grouting

Depending on ambient, slab, and material temperatures, grouting can generally begin after 12 hours with any Bostik grouting system. Allow 48 hours before grouting with any Bostik® EzPoxy or any 100% solids epoxy grout.

Limitations

- Do not use for installing moisture sensitive stones (i.e. green marble) or resin backed stone.
- Do not use in installations where deflection exceeds L/360 (1" in 30 feet).
- Do not apply over oriented strand board, particle board, masonite, luaun, stripwood floors, or similar unstable or frozen substrates.
- Do not use where hydrostatic pressure can occur.
- Due to the limitations of plywood as a substrate, Bostik PM is not intended for use on plywood in exterior or wet interior applications, or in areas subject to heavy/commercial traffic.
- Do not use over cushion back or perimeter bonded vinyl flooring.

Storage and Self Life

Store in a clean, dry area not affected by freezing or hot temperatures. Shelf life is one year from date of manufacturing in unopened bags.

Packaging

50 lb. bags. 40 bags/pallet.

DANGER: Corrosive when wet. Eye, skin and respiratory tract irritant. Suspect cancer hazard – contains material which may cause cancer. Risk of cancer depends on duration and level of exposure.

PRECAUTIONS: Avoid breathing dust. Avoid contact with eyes and skin. Keep container closed. Use only with adequate ventilation. Wear protective clothing during handling. Wash thoroughly after handling.

FIRST AID: If inhaled, remove to fresh air. In case of contact, immediately flush eyes with water for at least 15 minutes and wash skin with soap and water. Call a physician if irritation persists.

SEE MATERIAL SAFETY DATA SHEET.
KEEP OUT OF THE REACH OF CHILDREN.

Limited Warranty

The Limited Warranty for this product can be found at www.Bostik-US.com/resource-center/warranties or by calling 1-800-726-7845 (choose option 2, then option 2 again). TO THE MAXIMUM EXTENT ALLOWED BY LAW, BOSTIK DISCLAIMS ALL OTHER EXPRESS OR IMPLIED WARRANTIES, INCLUDING WITHOUT LIMITATION WARRANTIES OF MERCHANTABILITY AND FITNESS FOR A PARTICULAR PURPOSE. UNLESS OTHERWISE STATED IN THE LIMITED WARRANTY, THE SOLE REMEDY FOR BREACH OF WARRANTY IS REPLACEMENT OF THE PRODUCT OR REFUND OF THE BUYER'S PURCHASE PRICE. BOSTIK DISCLAIMS ANY LIABILITY FOR DIRECT, INCIDENTAL, CONSEQUENTIAL, OR SPECIAL DAMAGES TO THE MAXIMUM EXTENT ALLOWED BY LAW. DISCLAIMERS OF IMPLIED WARRANTIES MAY NOT BE APPLICABLE TO CERTAIN CLASSES OF BUYERS AND SOME STATES DO NOT ALLOW THE EXCLUSION OR LIMITATION OF INCIDENTAL OR CONSEQUENTIAL DAMAGES, SO THE ABOVE LIMITATIONS MAY NOT APPLY TO YOU. It is the buyer's obligation to test the suitability of the product for an intended use prior to using it. The Limited Warranty extends only to the original purchaser and is not transferable or assignable. Any claim for a defective product must be filed within 30 days of discovery of a problem, and must be submitted with written proof of purchase.

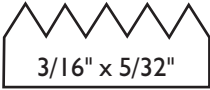
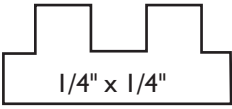
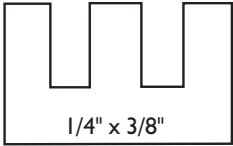
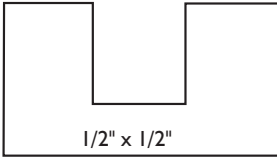
Bostik, Inc.
11320 Watertown Plank Road
Wauwatosa, WI 53226
1-800-726-7845
www.bostik-us.com



This document supersedes all previously published literature.

T50 07-31-12

Recommended Trowels For Maximum Performance

Ceramic Mosaics Mounted Ceramics Coverage 85-100 ft ²	4" x 4" and 4" x 8" Ceramic & Pavers Coverage 70-80 ft ²	6" x 6" and 8" x 8" Quarry Tile 12" x 12" Ceramic Tile Coverage 50-60 ft ²	8" x 8" and 12" x 12" Lugged back & Mexican Paver Tile Coverage 35-40 ft ²
 3/16" x 5/32"	 1/4" x 1/4"	 1/4" x 3/8"	 1/2" x 1/2"

Trowel size is suggested to maximize transfer/coverage of mortar. Periodically check coverage during installation. Uneven substrate may require the use of either a leveling/patching material, or larger notched trowel for proper coverage of mortar.