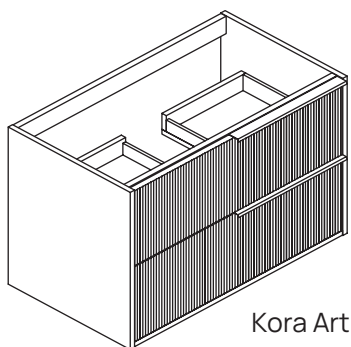
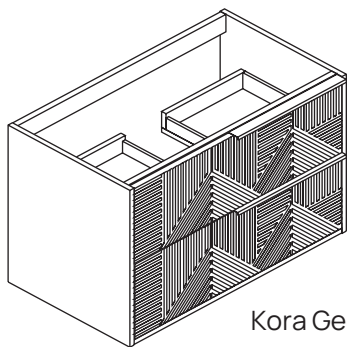


CONTRACT INSTALLATION MANUAL

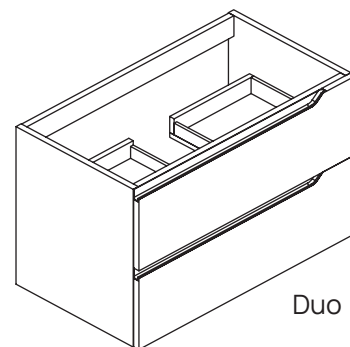
1. Recommended dimensions for the sink installation
2. Anchoring and adjustment
3. Drawer extraction and unlocking
4. Drawer installation and locking
5. Drawer front adjustment
6. Maintenance and cleaning
7. Conditions of sale



Kora Art

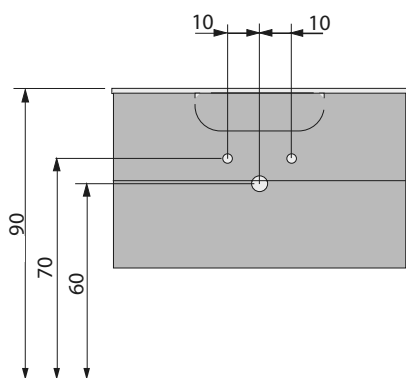


Kora Geo



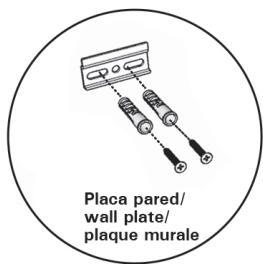
Duo

1. Recommended dimensions for the sink installation

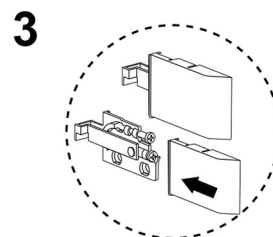
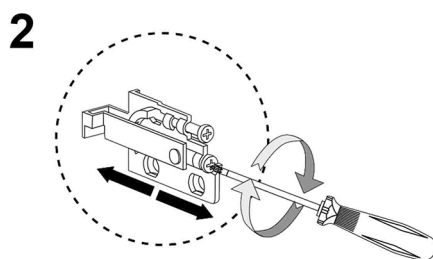
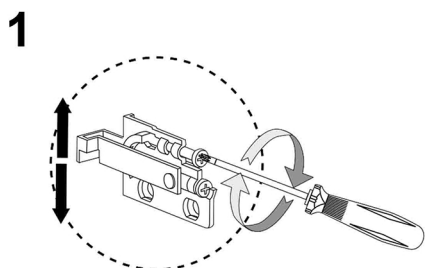


Dimensions in cm

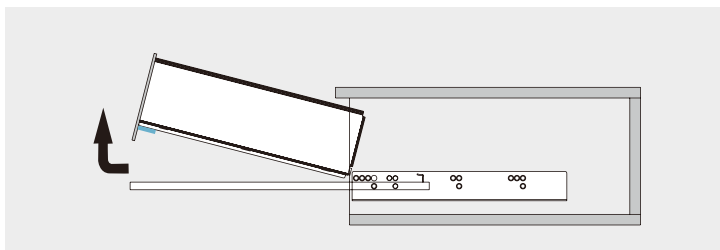
2. Anchoring and adjustment



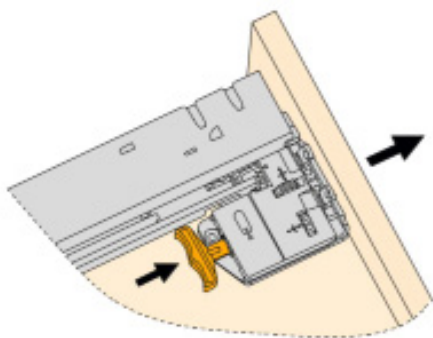
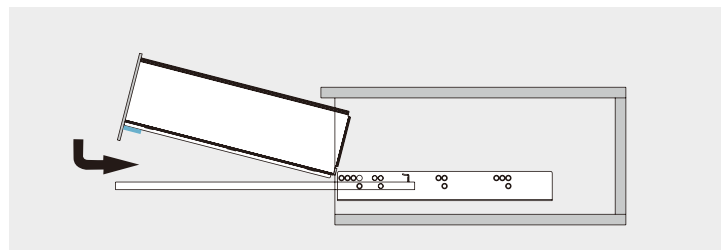
Hangers regulation



3. Drawer extraction and unlocking

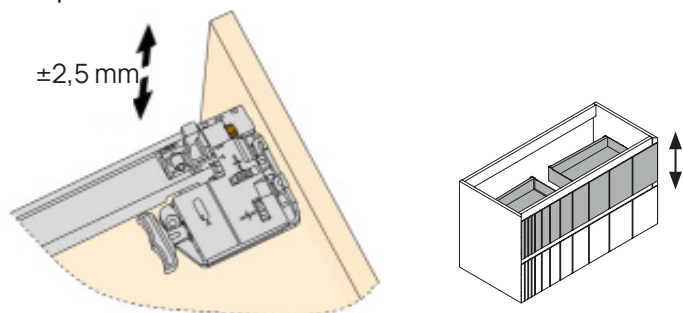


4. Drawer installation and locking

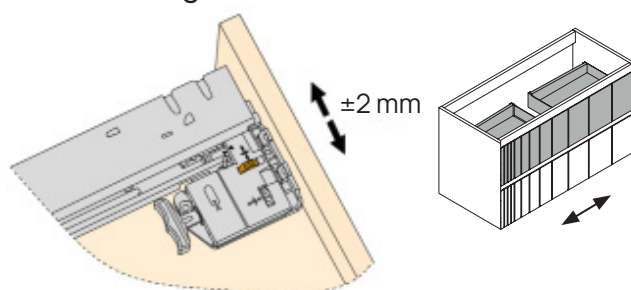


5. Drawer front adjustment

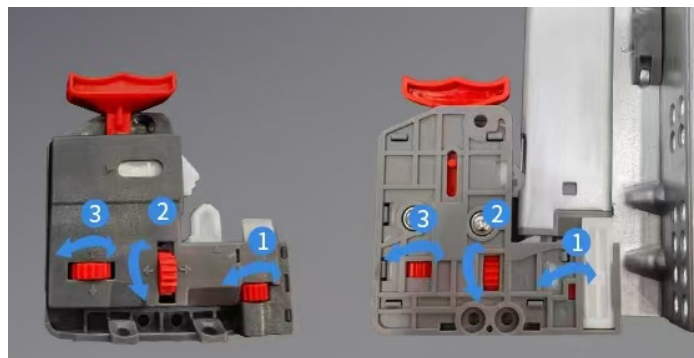
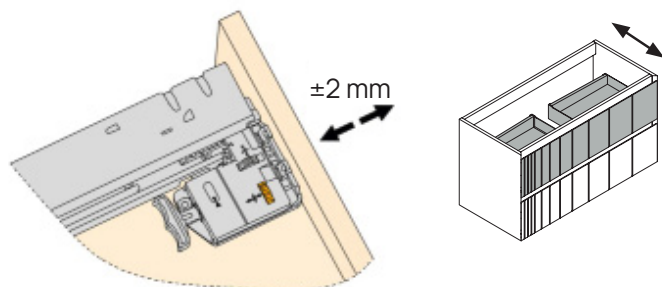
1. Up and Down



2. Left and Right



3. Front and Rear



6. Maintenance and care

Vanity / lacquer

To keep clean the lacquered surface it is recommended to use a soft cotton cloth moistened with water. For a thorough cleaning, use solvent free glass cleaners and then dry it with a soft cloth

Metallic parts

It is strongly recommended to begin using a damp cloth and then dry it carefully with a soft cloth.

7. Conditions of sale

The descriptions and photographs contained in our catalog are for information purposes only. It is our policy to continually improve our products, therefore we reserve the right to change specifications without prior notice. Colors shown in printed images may differ from reality.

