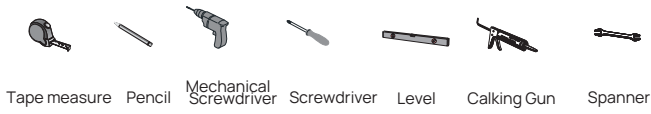
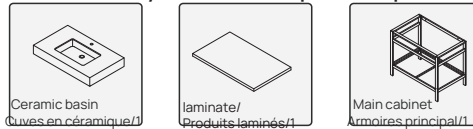


INSTALLING VANITY WITH TWO PEOPLE IS HIGHLY RECOMMENDED
L'INSTALLATION DE LA VANITÉ AVEC DEUX PERSONNES EST FORTEMENT RECOMMANDÉE

Recommended Tools/Outils recommandés



Main Body Parts/La partie principale du corps

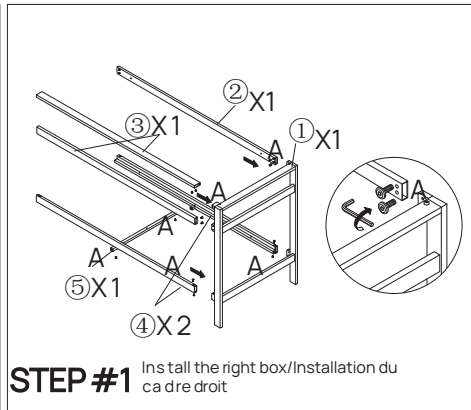
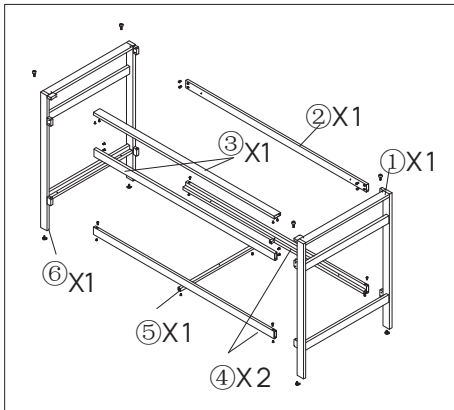


Install parts/Pièces de montage

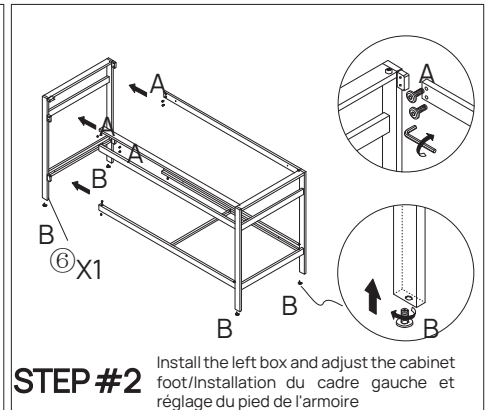
· Side frame (right)/Cadre latéral (droit)	1 pcs	
· Upper dorsal strip/Barre arrière supérieure	1 pcs	
· Drawstring/LaTiao	2 pcs	
· Lower pull bar/Descendre la barre	2 pcs	
⑤ Transverse bar/L'article transversale	1 pcs	
⑥ Side frame (left)/Cadre latéral	1 pcs	

A M5x10 Hexagon socket screws/ Vis à six pans creux	24 pcs	
B Adjusting feet/Pieds de réglage	4 pcs	
C Φ16 Black plastic adjustment feet/ Plastique noir/pieds deréglage	4 pcs	
D Sucker/ventouse	11 pcs	
E Outer hexagonal self-tapping screws/Vis auto-taraudeuses hexagonal externe	2 pcs	
* Allen Wrench/Clé hexagonale interne	1 pcs	

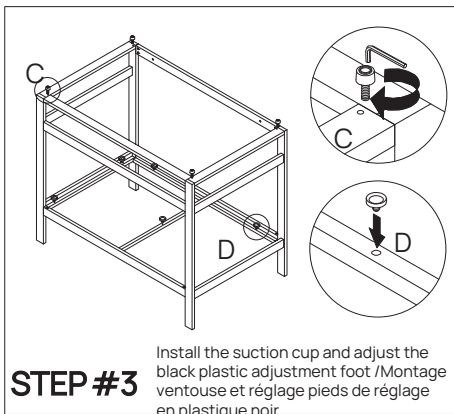
Assembly instructions/Instructions de montage



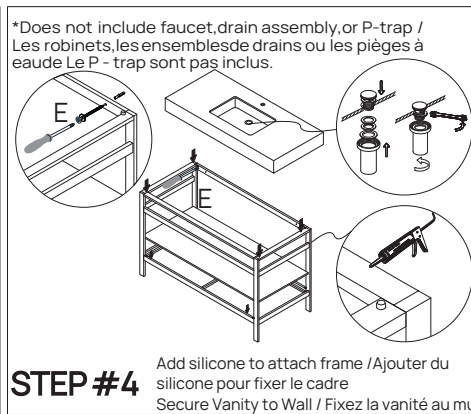
STEP #1 Install the right box/Installation du ca dre droit



STEP #2 Install the left box and adjust the cabinet foot/Installation du cadre gauche et réglage du pied de l'armoire



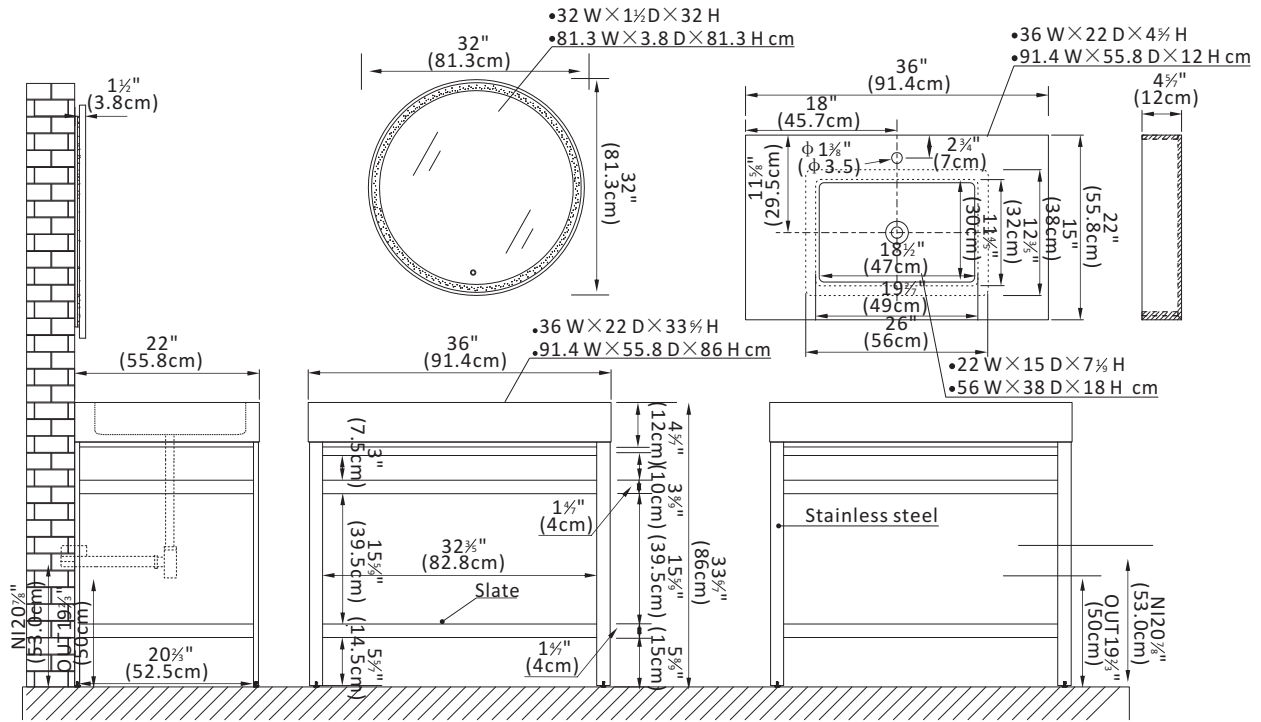
STEP #3 Install the suction cup and adjust the black plastic adjustment foot /Montage ventouse et réglage pieds de réglage en plastique noir



STEP #4 Add silicone to attach frame /Ajouter du silicone pour fixer le cadre
Secure Vanity to Wall / Fixez la vanité au mur

• Please check your product packaging to make sure the included accessories etc.
 Veuillez vérifier l'emballage de votre produit pour vous assurer que les accessoires
 inclus

Diagram Specifications



Vanity Care Guide

Vanity Care

- Avoid direct contact of sharp objects as they can cause exterior damage.
- Do not expose directly to the sun as it can cause aging and cosmetic damage.
- Avoid placing hot objects onto the vanity surface.

Countertop Care

- Kindly note that all our tops are sealed before shipping but may stain, scratch, or chip because they are porous by nature.
- Do not place hot items directly on the countertop as it can damage it.
- To prevent ring marks or staining, dry immediately.
- Place table mats beneath objects that can potentially scratch the surface.
- Use a clean, soft fabric to dust the vanity.
- Occasionally wash with a cloth dampened in warm water. If needed, apply a small amount of mild dishwashing liquid or stone soap to clean. Dry with a soft cloth.
- Refrain from using chemical cleaners, sprays, abrasive cleaners, or products that contain lemon, vinegar, or other acids. We advise to reseal top annually or when necessary.

Cleaning and maintenance

- Avoid using cleaning products that contain Bleach or Ammonia.
- Please use wood-friendly products on wooden base vanities.
- To adequately clean exterior surfaces, use natural cleaning solutions or soap



WARNING

This product can expose you to chemicals including Nickel compounds, which is known to the State of California to cause cancer. For more information visit www.P65Warning.ca.gov



WARNING

This product can expose you to Glass wool fibers (inhalable and biopersistent), which is known to the State of California to cause cancer. For more information, go to www.P65Warnings.ca.gov



WARNING

Serious or fatal crushing can occur from furniture tip over. To prevent tip over this furniture must be used with the wall attachment device(s) provided.

Screw(s) and plug(s) for the wall are not included. Use screw(s) and plug(s) suitable for your walls. If you are uncertain, seek professional Advice. Read and follow each step of the instruction carefully.