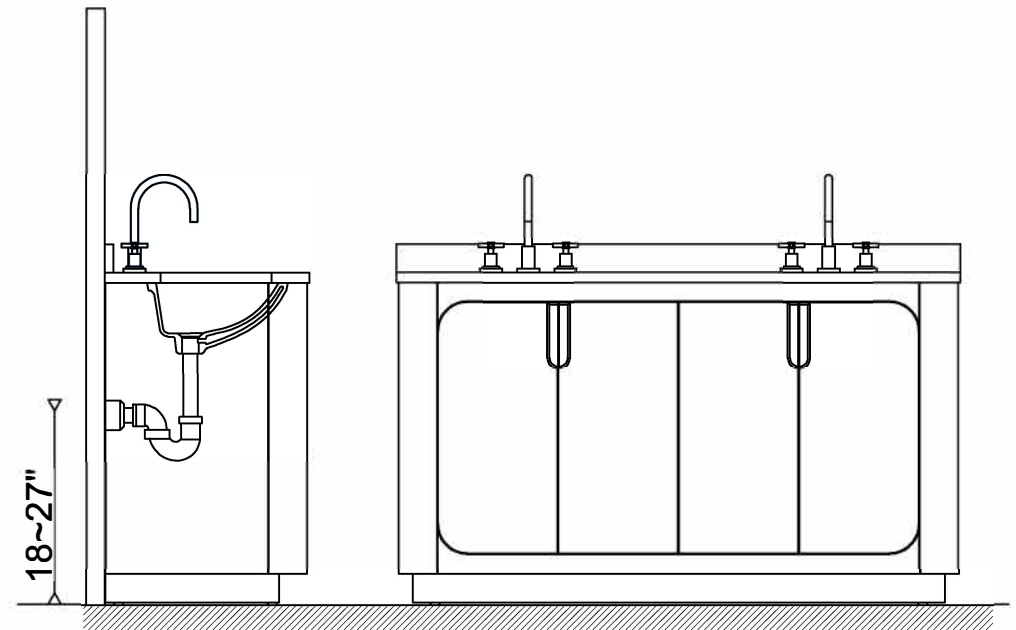


# INSTALLATION GUIDE CORBIN COLLECTION

tilebar

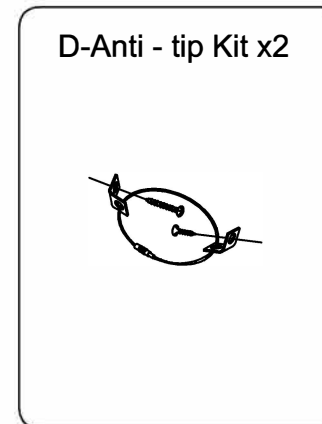
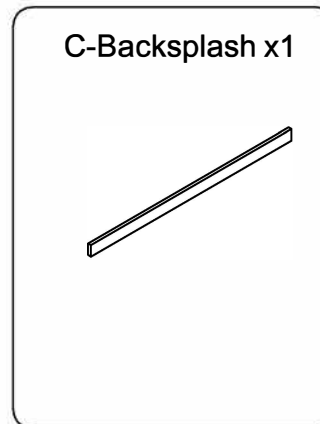
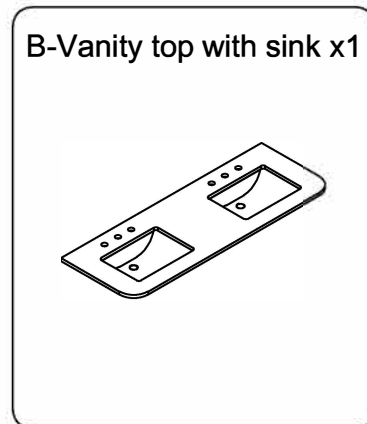
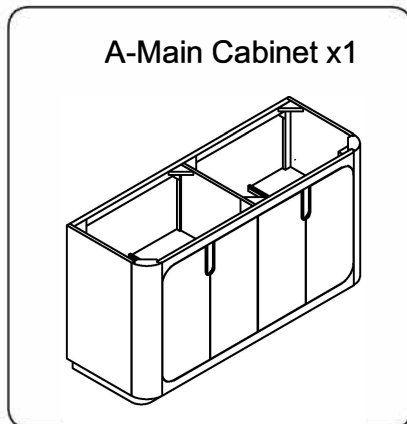
Before beginning to assemble and install your vanity, please check that you have received all of the parts and hardware listed in the Packing List. Please report any missing items to your local vendor immediately.

To avoid scratches, scuffs, and other damage, do not assemble your vanity directly on the floor. Place a sheet of cardboard or another protective surface on the floor, and assemble your vanity on top of it. Always protect all surfaces from sharp objects, high heat sources, direct prolonged sunlight, and harsh chemicals.



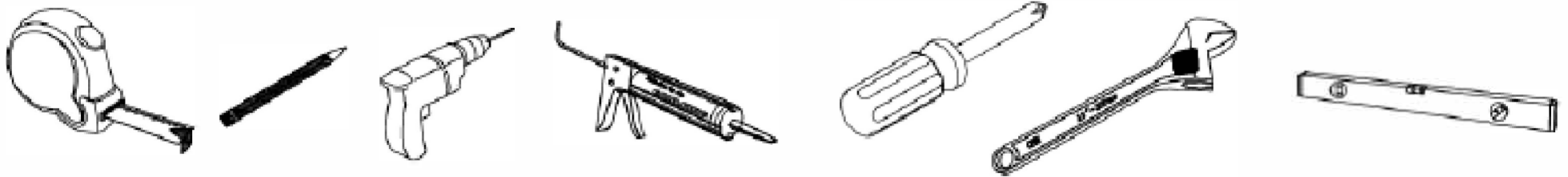
Professional installation is recommended.

## PACKING LIST (Please refer to order per retailer )

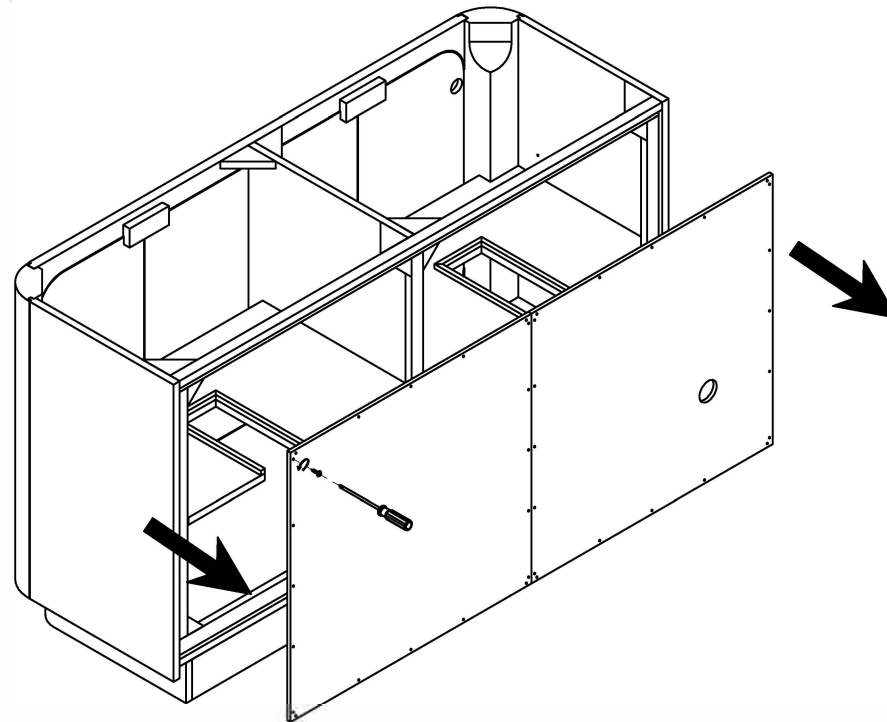


## REQUIRED TOOLS

NOTE: Tools shown are not included.

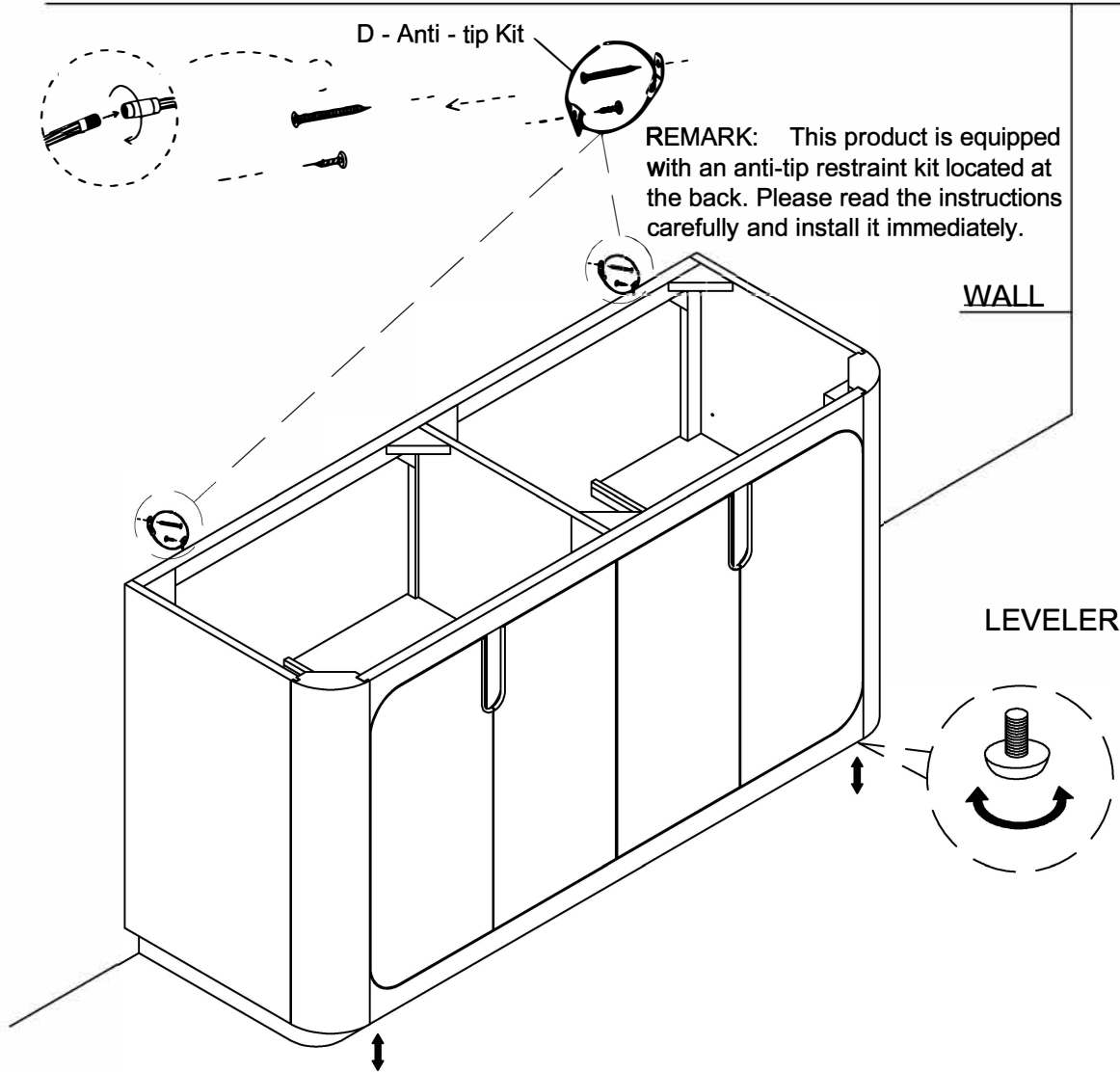


### STEP 1



- The rear back panel can be removed by using a screwdriver to turn counterclockwise and remove the screws from the panel.

## STEP 2



### Adjusting Floor Levelers :

Your furniture has been professionally crafted and pre-adjusted. However, minor shifts may occur during transportation. If the drawers are misaligned or the furniture feels unstable, adjusting the floor levelers will help restore proper alignment and stability.

### How to Adjust the Floor Levelers:

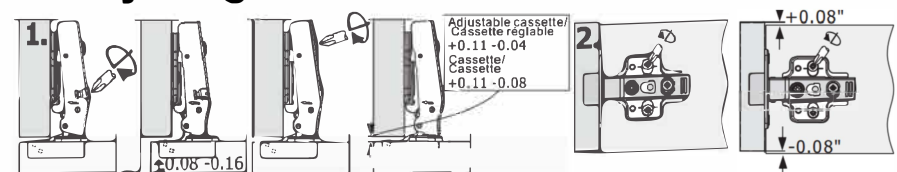
**Check Stability** – Place the furniture in its final position on a level surface. If it wobbles or does not sit evenly, adjustment is required.

**Locate the Levelers** – The adjustable levelers are located at the bottom corners of the furniture.

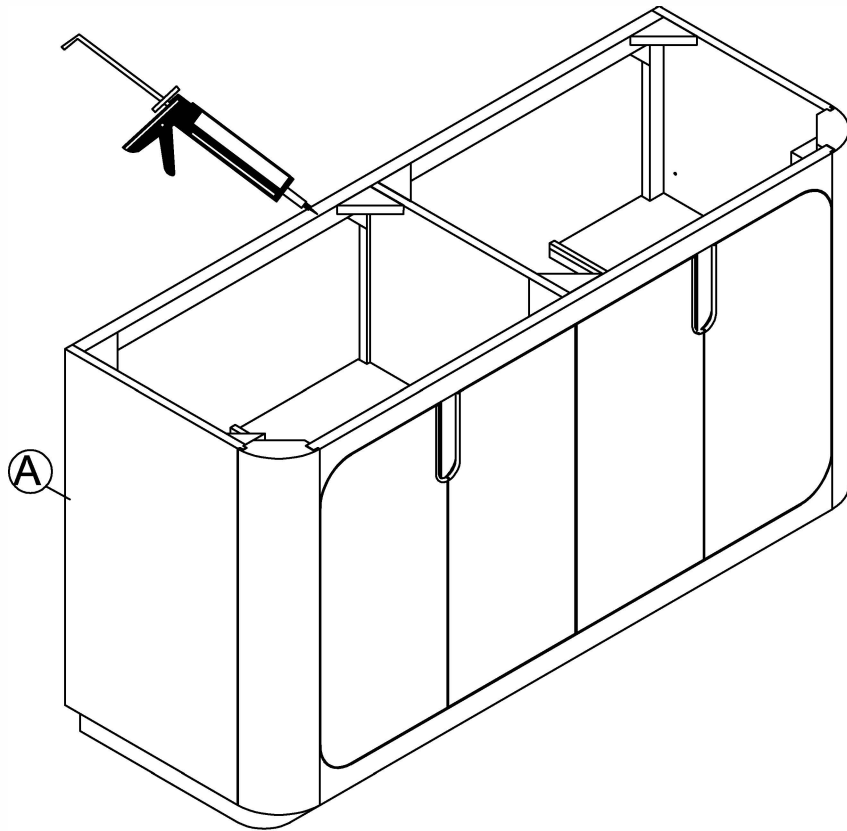
**Adjust as Needed** – Turn the levelers clockwise to raise the furniture or counterclockwise to lower it. Make small adjustments and check stability after each turn.

**Repeat if Necessary** – Continue adjusting in small increments until the furniture is stable and level.

### Installation, Removal and Adjustment of Vanity Hinges:

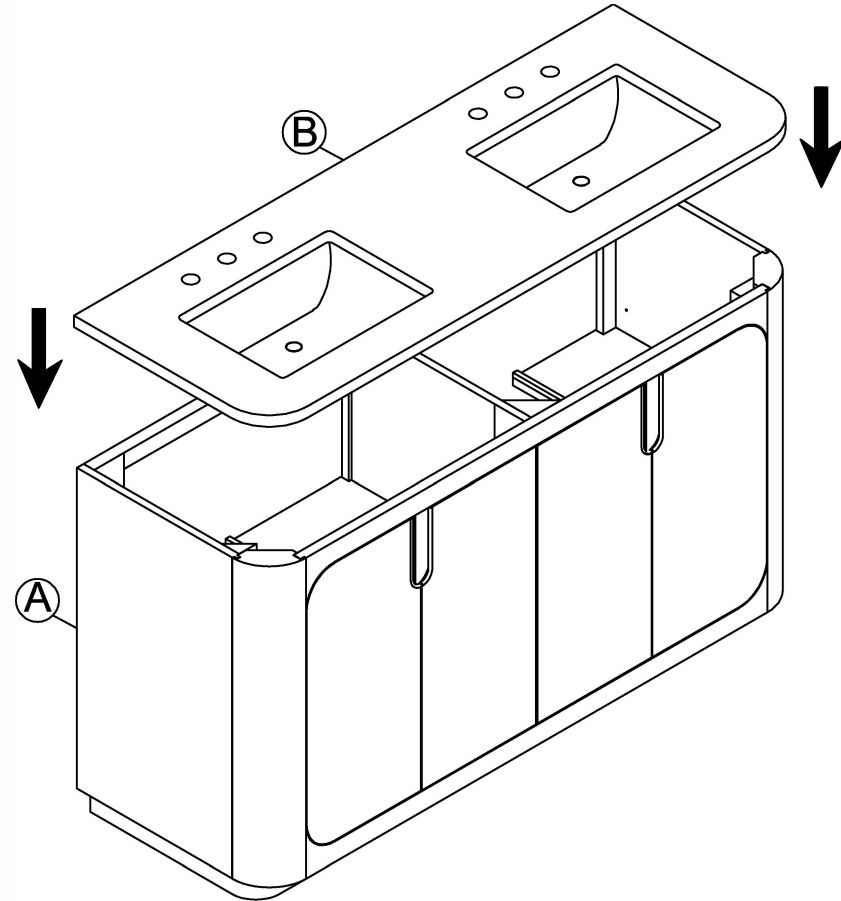


## STEP3



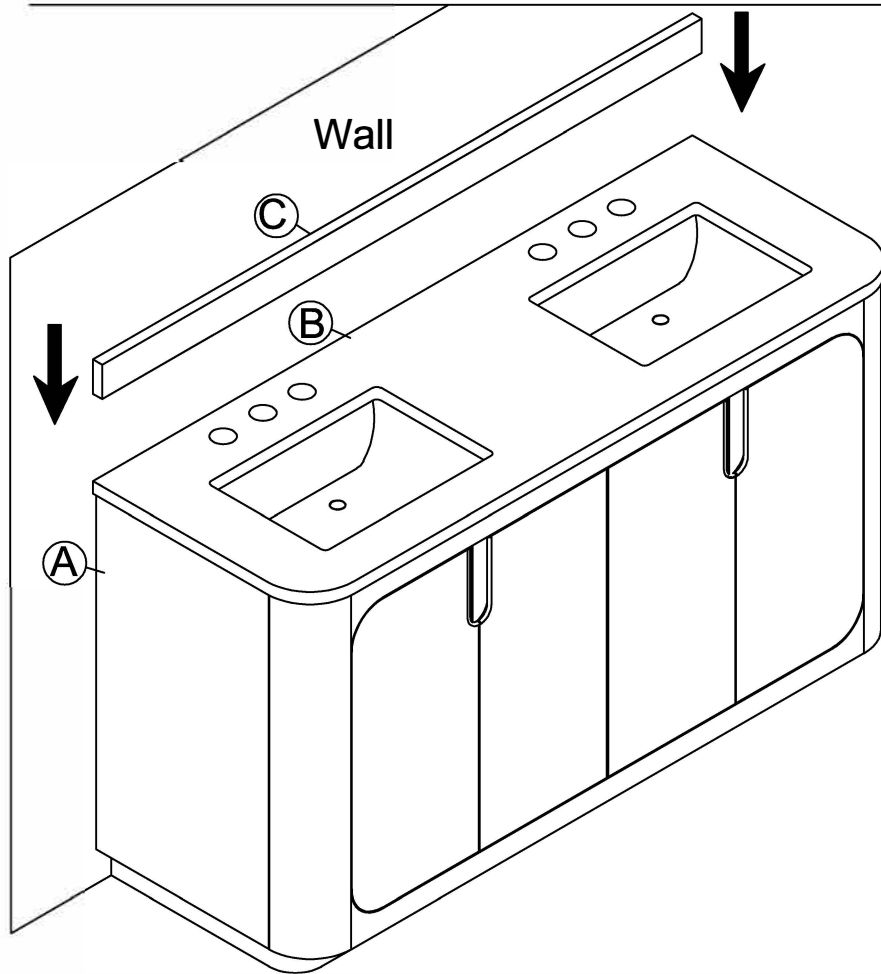
- Apply caulk to the perimeter of the top of the cabinet.

## STEP4



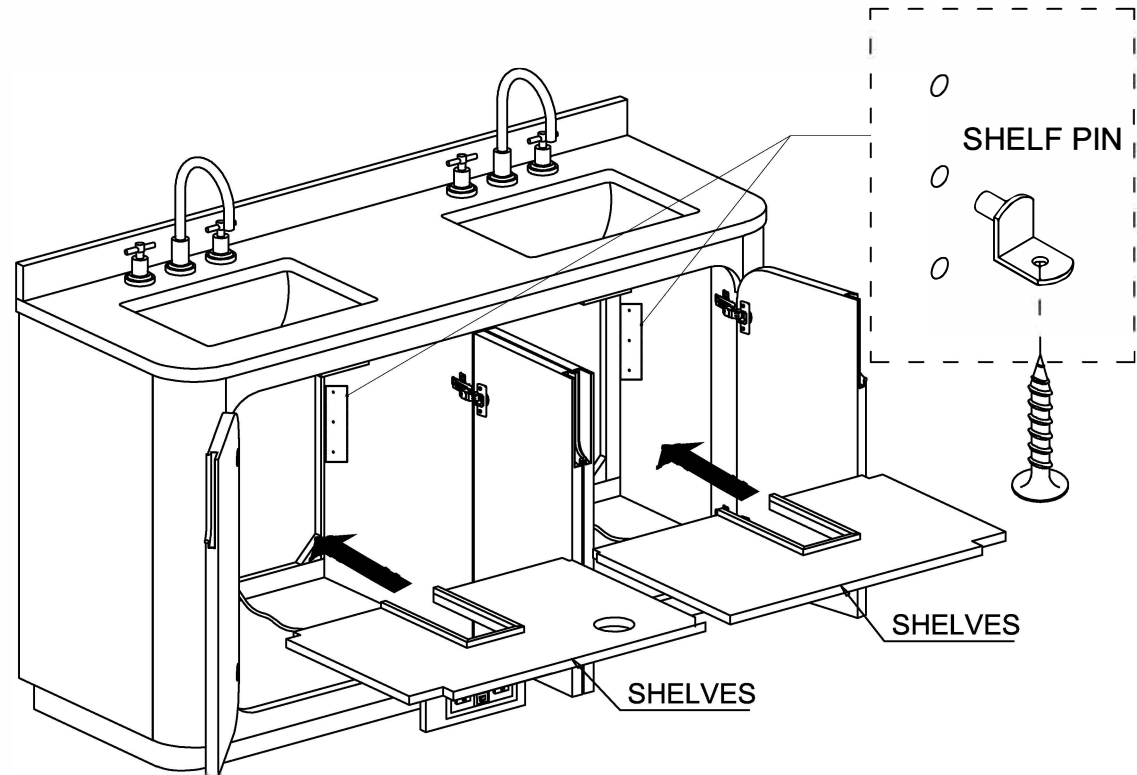
- Install the Vanity top with sink (B) onto the Main Cabinet (A) and align it to the correct position.

## STEP 5



- Apply adhesive to the back of the backsplash (C) and press it firmly against the wall to secure it. Use caulk to seal the gap between the Vanity top with sink (B) and the backsplash (C). After the adhesive has dried, (Allow 24 Hours )install the faucet and drain assemblies (not included) according to the manufacturer's instructions.

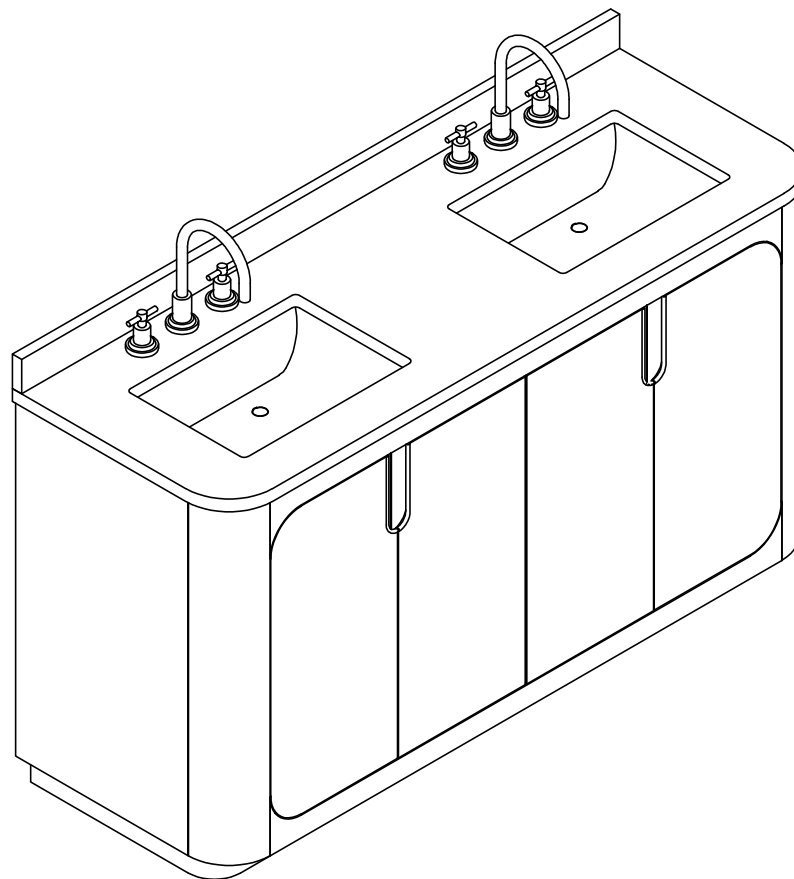
## STEP 6



- The shelves can be adjustable by lifting the shelf up and removing the shelf pin, then placing the shelf pins into the upper hole or lower holes screw.

## STEP 7

---



- Completed.