

## COLLECTION

Buket



## DESCRIPTION

A cubed basin with subtle interior contours. Includes custom brackets for standalone mounting.

## DIMENSIONS (BASIN)

343mm L x 343mm W x 343mm H  
(13-1/2" L x 13-1/2" W x 13-1/2" H)

## WEIGHT (BASIN)

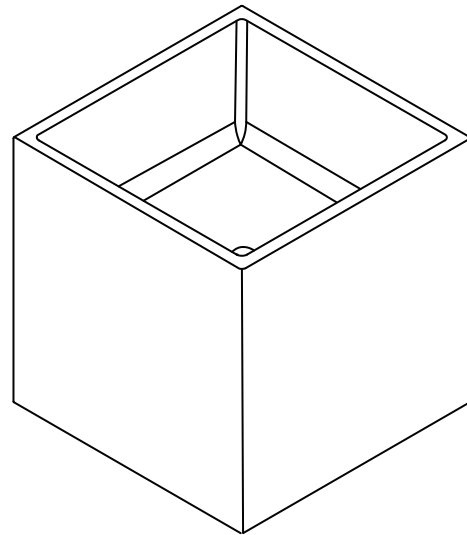
32 kg (69 lbs)

## DRAIN RQD

44mm (1-3/4") max. w/o overflow

## CERTIFICATION

CSA B45.8:23/IAPMO Z403-2023



## MATERIAL FINISH



Smooth

## AVAILABLE COLOURS



Peach



Rose



Mousse



Berry



Thyme



Forest



Haze



Denim



Navy



Mist



Mocha



Smoke



Ash



Charcoal

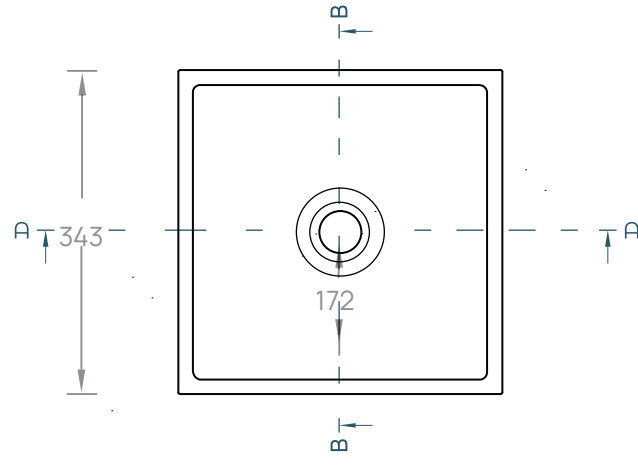


Midnight



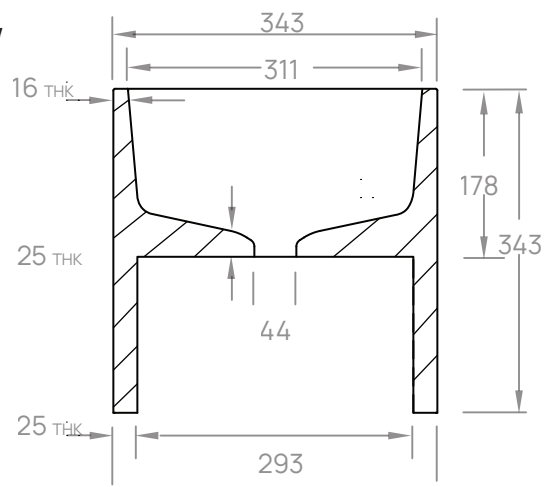
Cotton

TOP VIEW

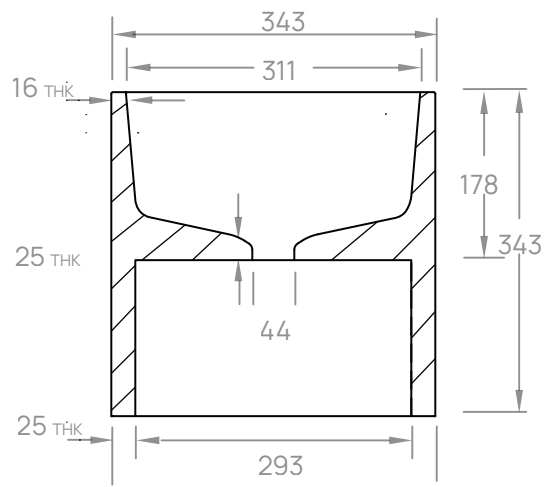


CROSS SECTION VIEW

A - A



B - B



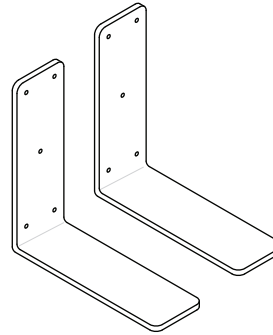
mudd works to tolerances of +/- 5mm. SCALE 1:8 rev. 01/25

## MD SPEC INFO

3/8" gauge steel, powder-coated matte black

## THICKNESS

9mm (3/8")



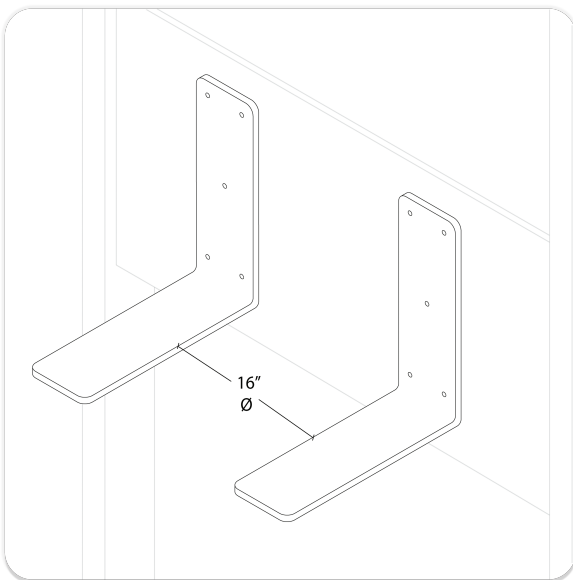
## MD BRACKET

pair fit for Vola SM | Kuba

292mm L x 95mm W x 292mm H  
(11-1/2" L x 3-3/4" W x 11-1/2" H)

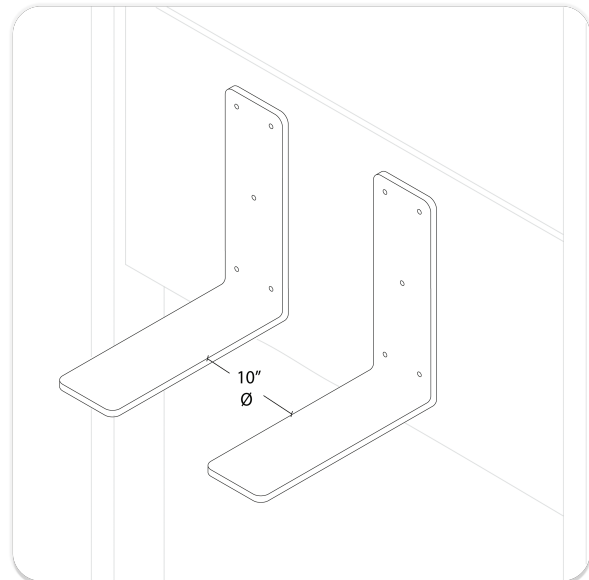
4kg (9.2lbs) each

## INSTALLATION spacing of bracket pair



### Vola SM

brackets should be spaced 16" (404 mm) apart on centre to the drain



### Kuba

brackets should be spaced 10" (254 mm) apart on centre to the drain