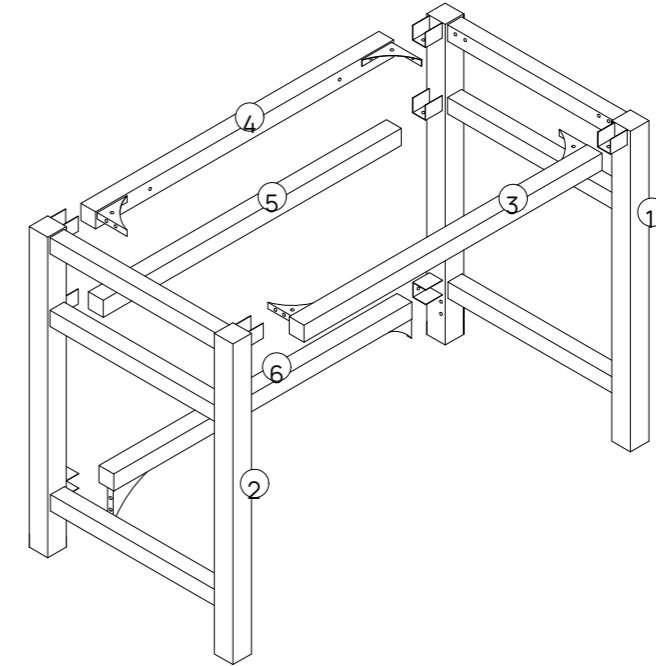
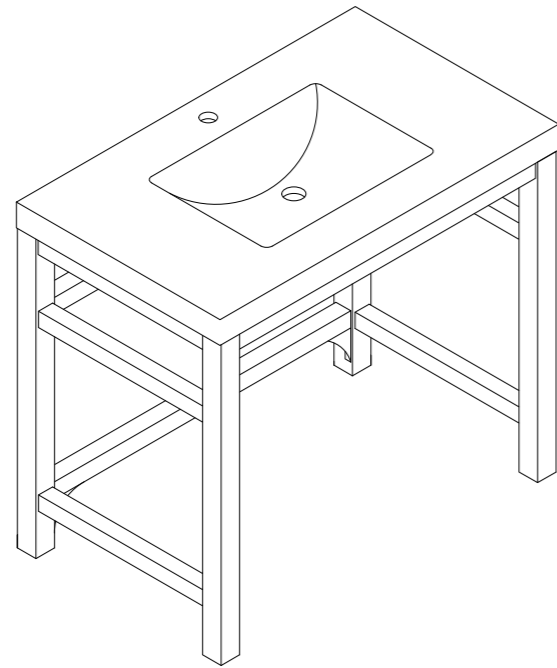
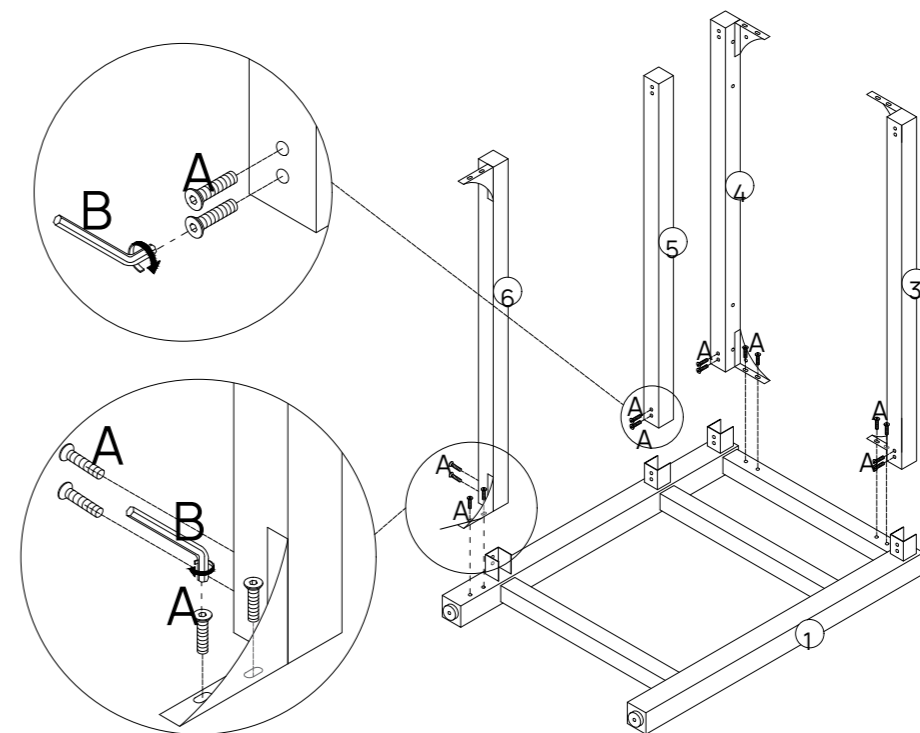


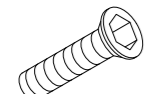

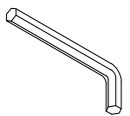

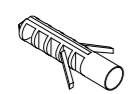
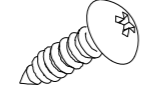
Step 1



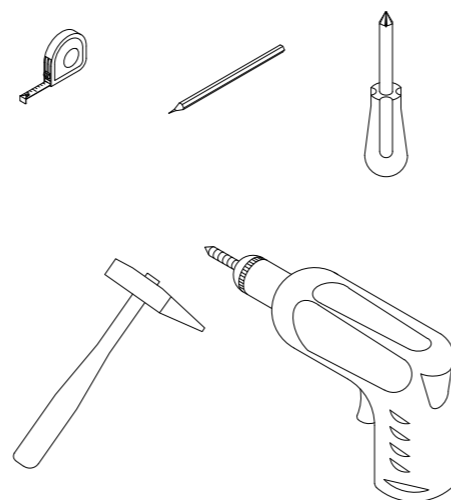
Step 2



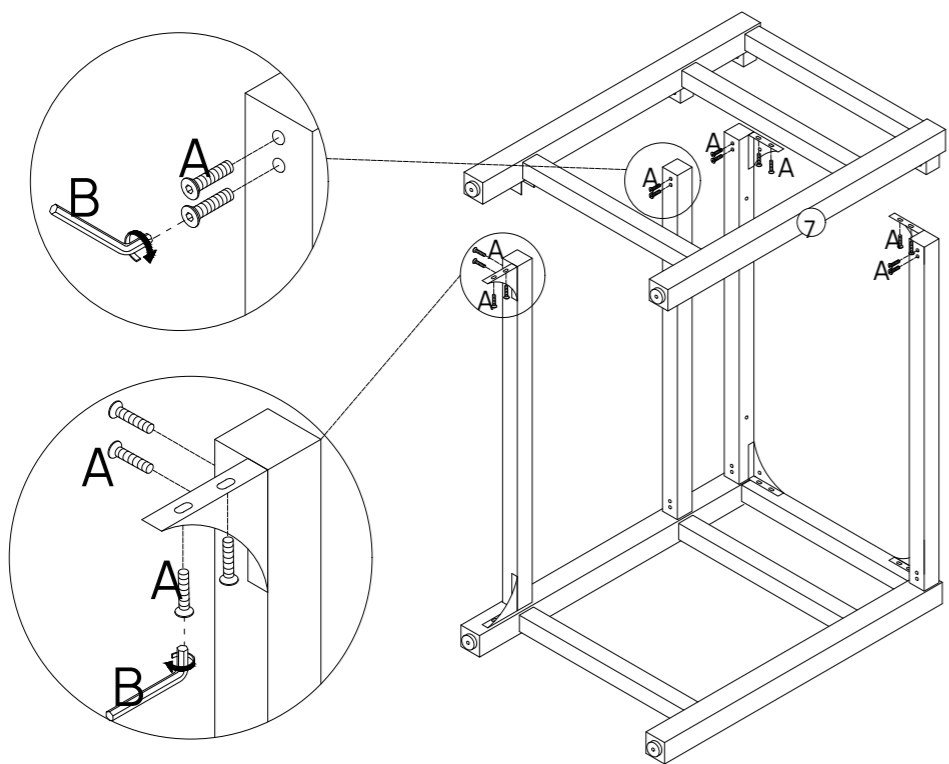
Parts list

NO.	Parts	QTY	NO.	Parts	QTY
A	 M6*12MM	28	D	 Ø16	4
B			E	 M5*70MM	2
C	 Ø8 x 40mm	2	F	 M4*25MM	4

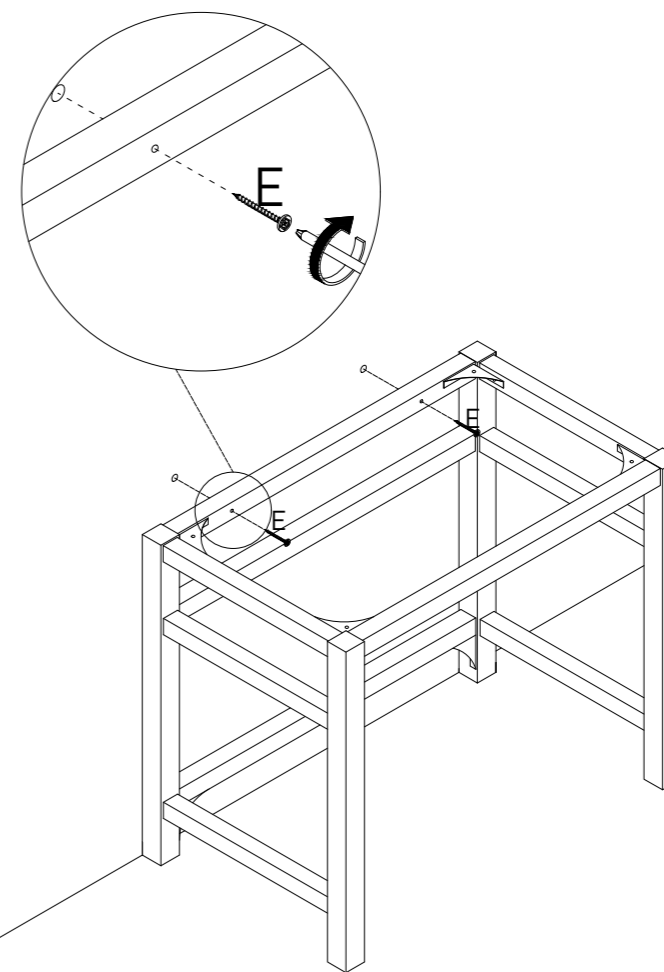
Tools  
(required but not provided)



### Step 3

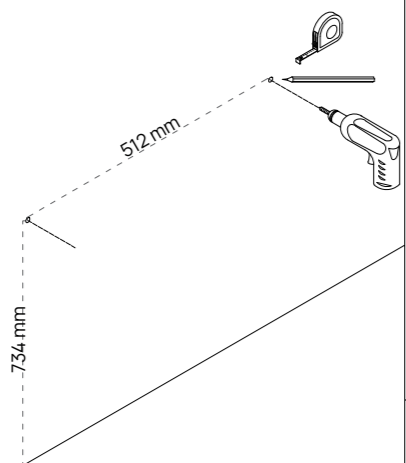


### Step 4



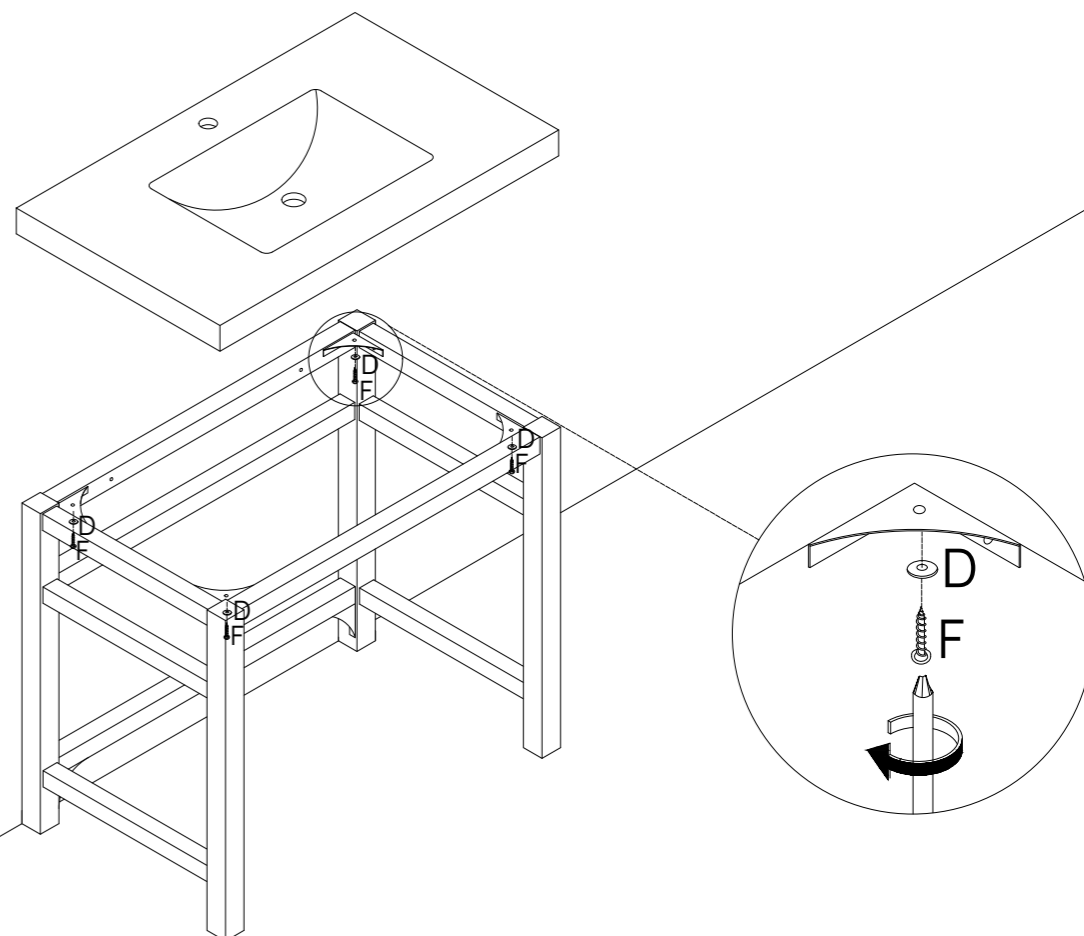
Wall

### Step 5



Wall

### Step 6



Wall