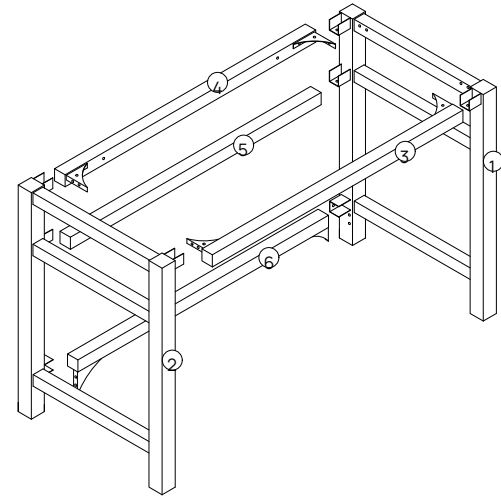
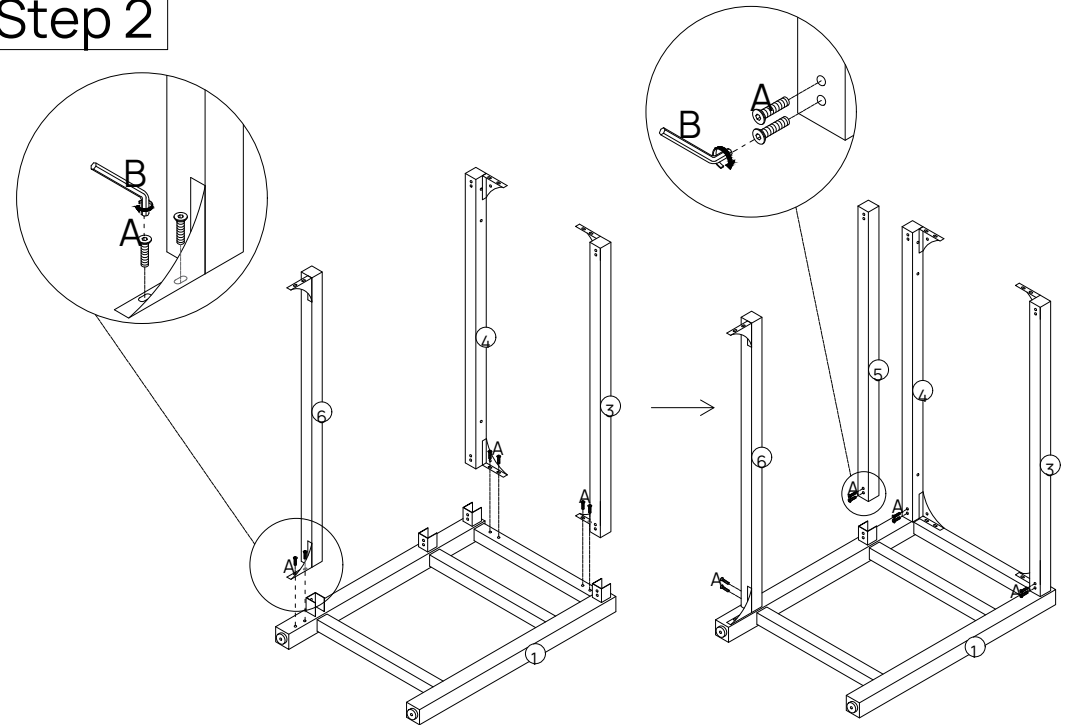


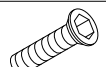

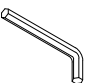



Step 1



Step 2

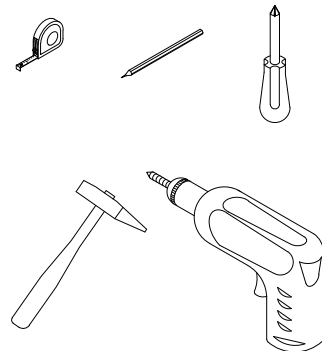


Parts list

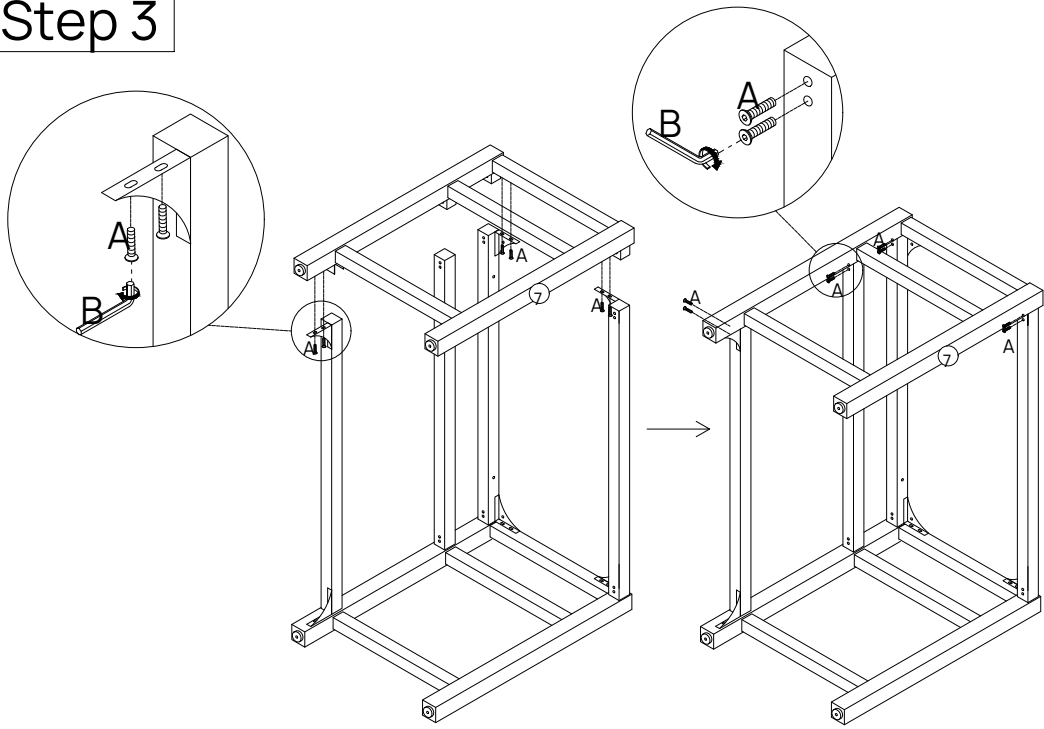
NO.	Parts	QTY	NO.	Parts	QTY
A	 M6*12MM	28	D	 Ø16	4
B		1	E	 M5*70MM	2
C	 Ø8 x 40mm	2	F	 M4*25MM	4

Tools

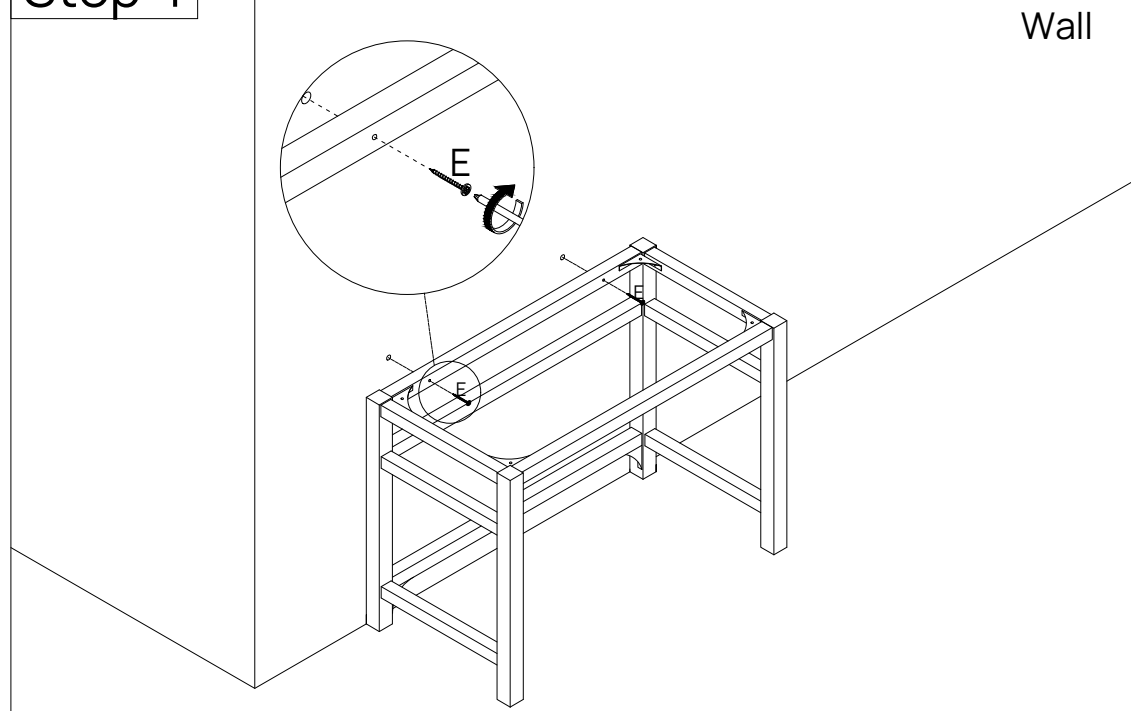
(required but not provided)



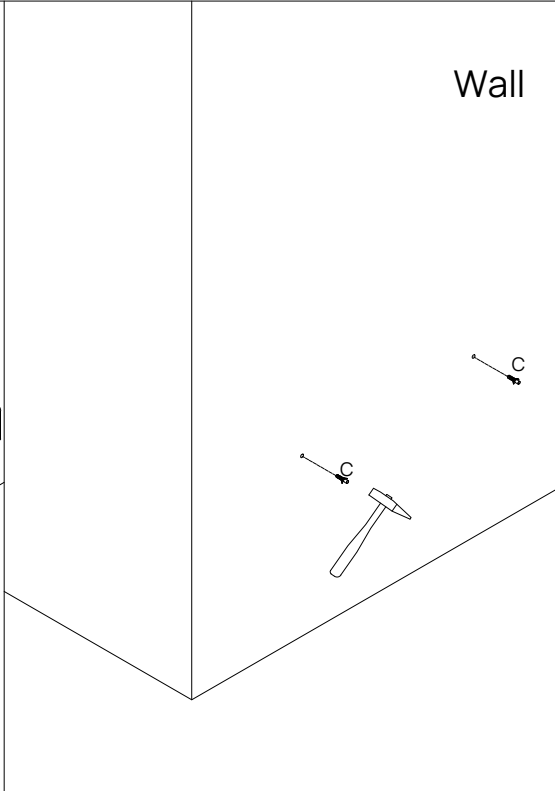
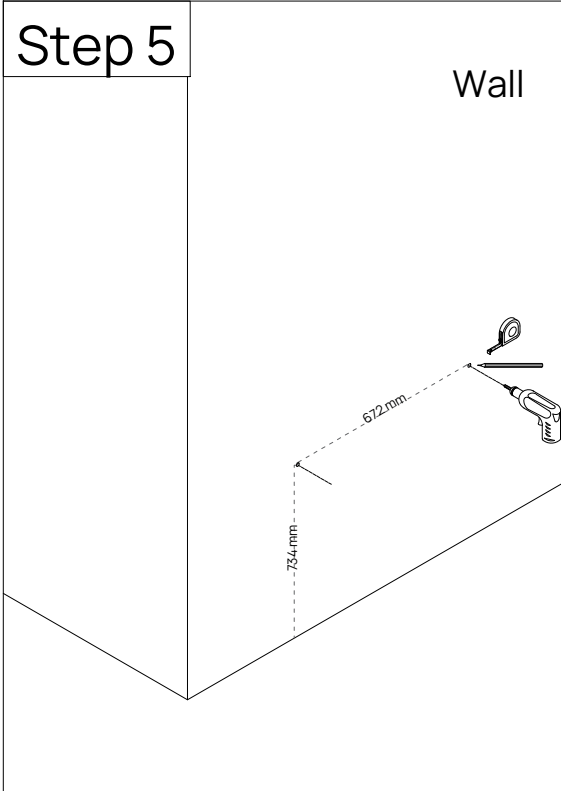
Step 3



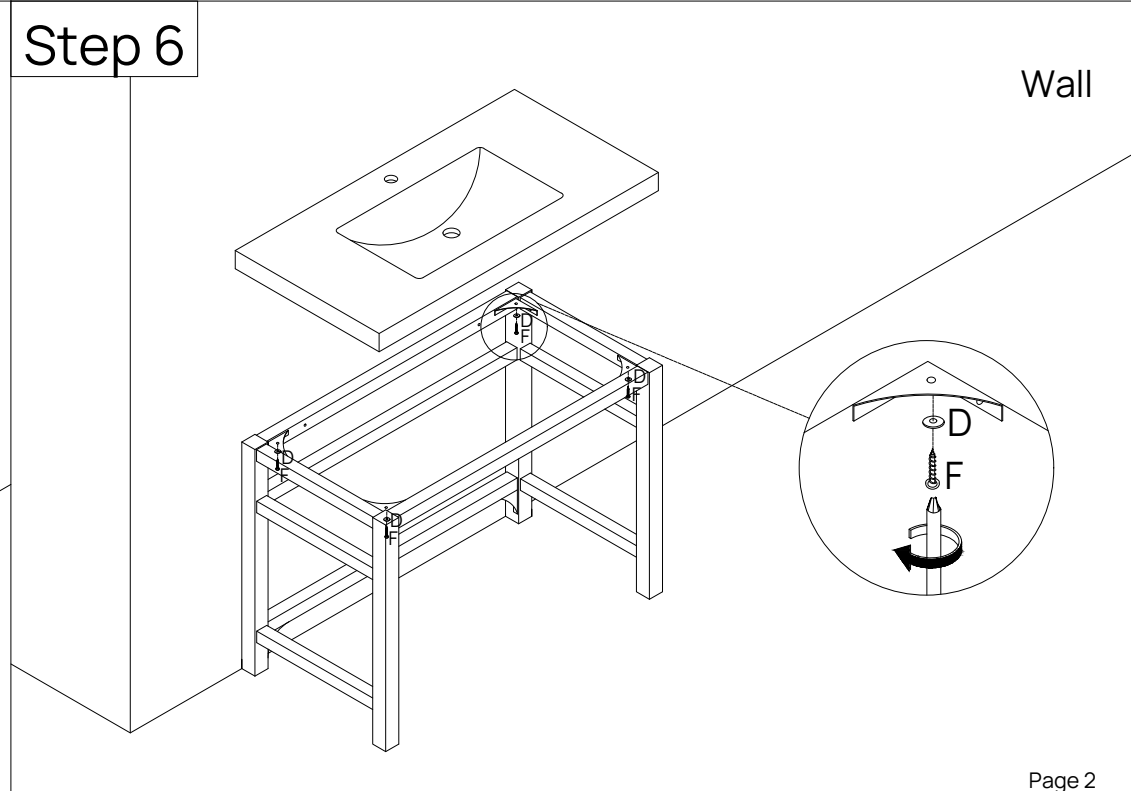
Step 4



Step 5



Step 6



Wall

Wall