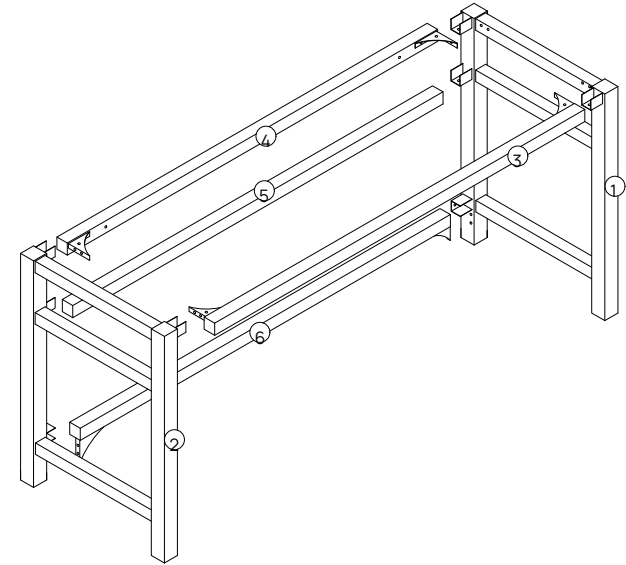
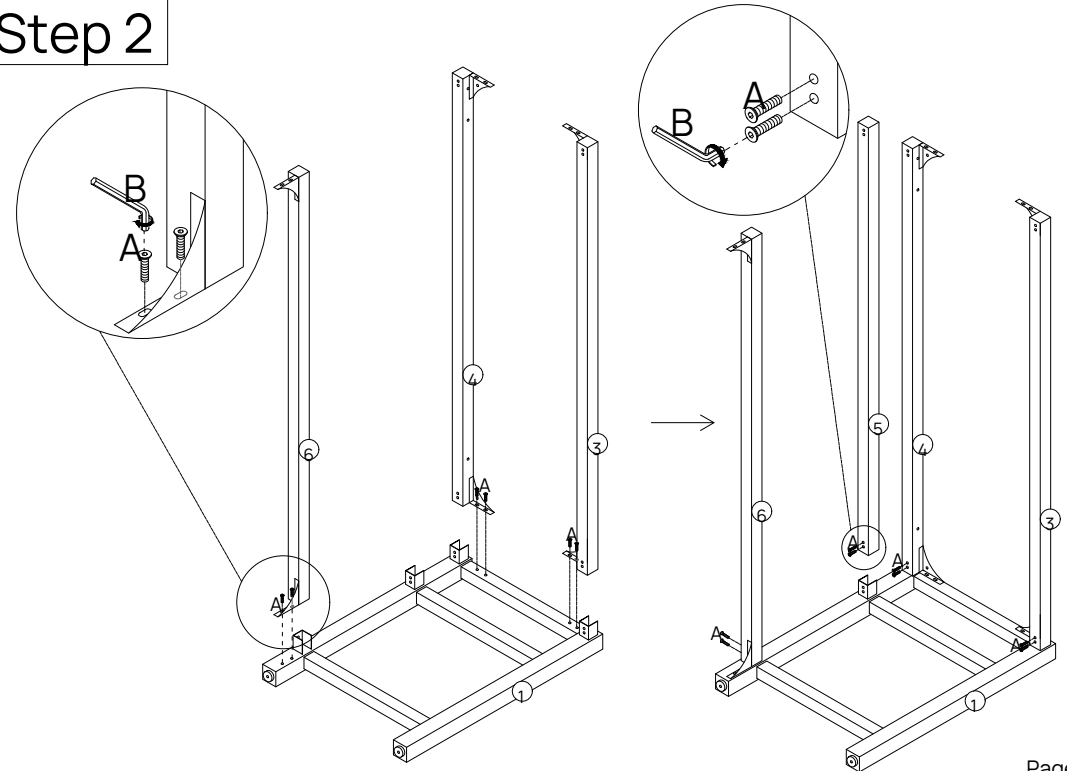


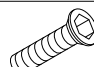

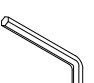



Step 1



Step 2

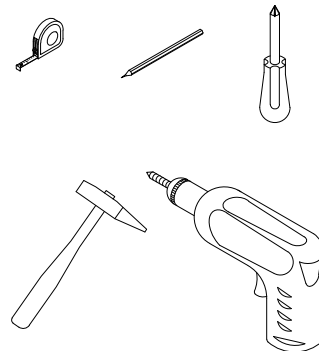


Parts list

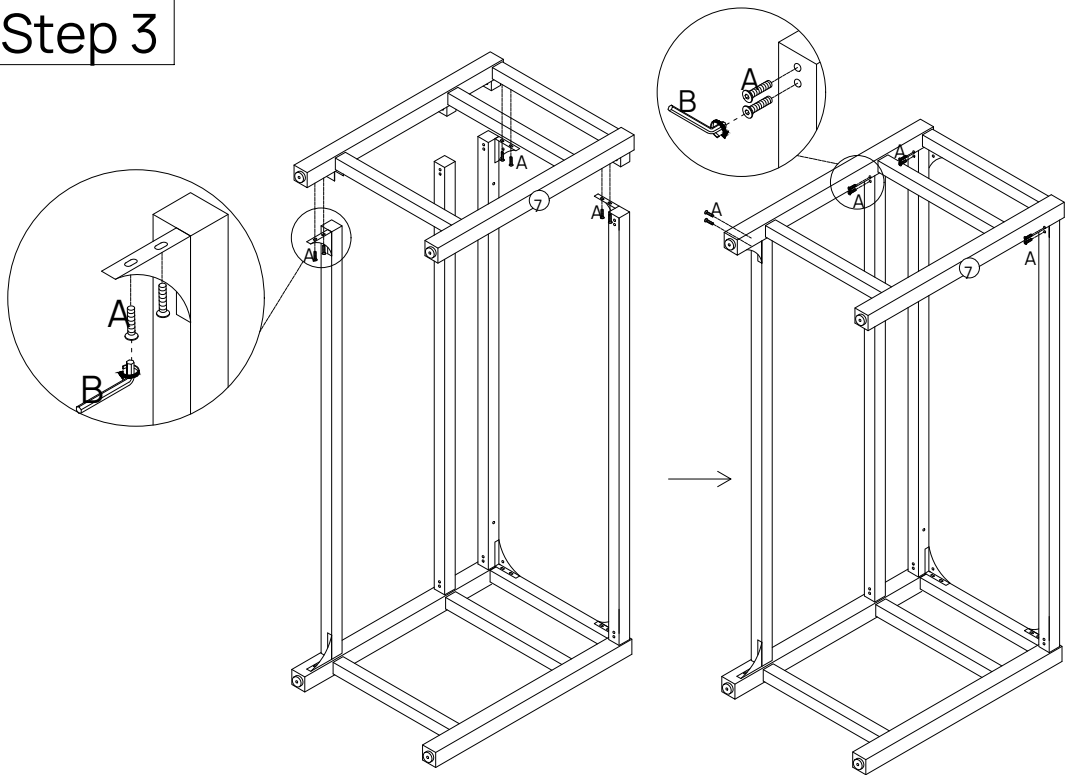
NO.	Parts	QTY	NO.	Parts	QTY
A	 M6*12MM	28	D	 Ø16	4
B		1	E	 M5*70MM	2
C	 Ø8 x 40mm	2	F	 M4*25MM	4

Tools

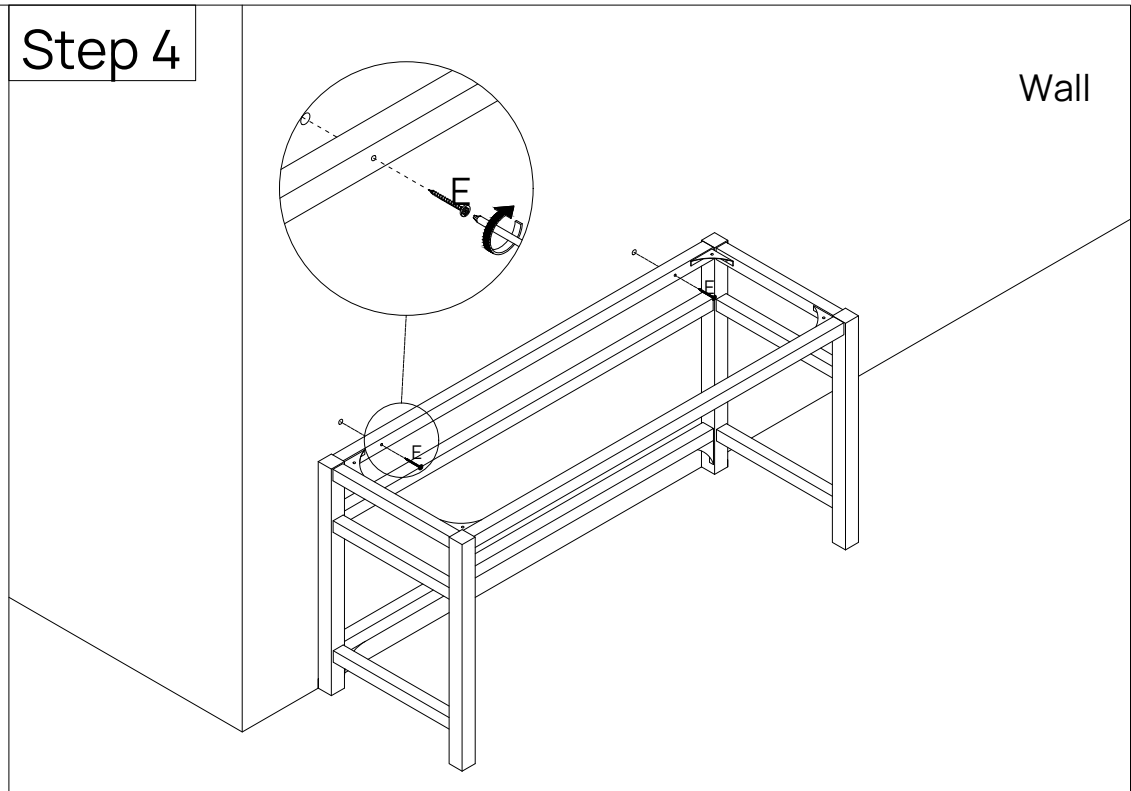
(required but not provided)



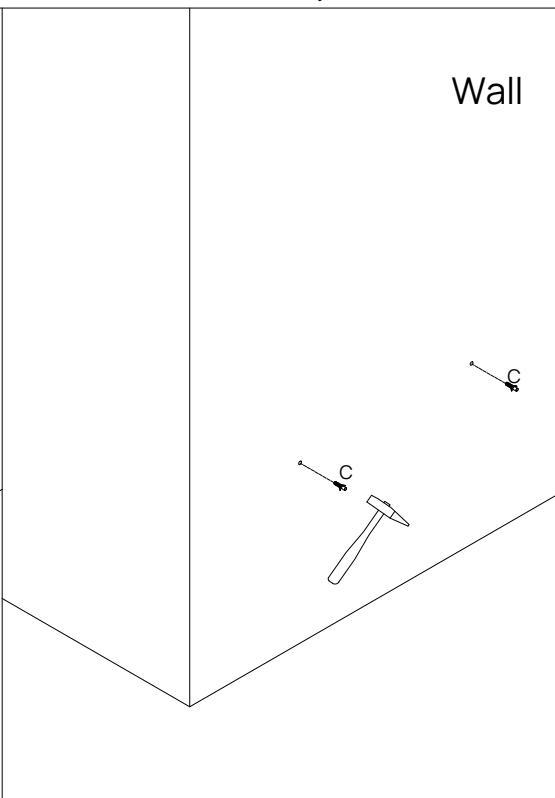
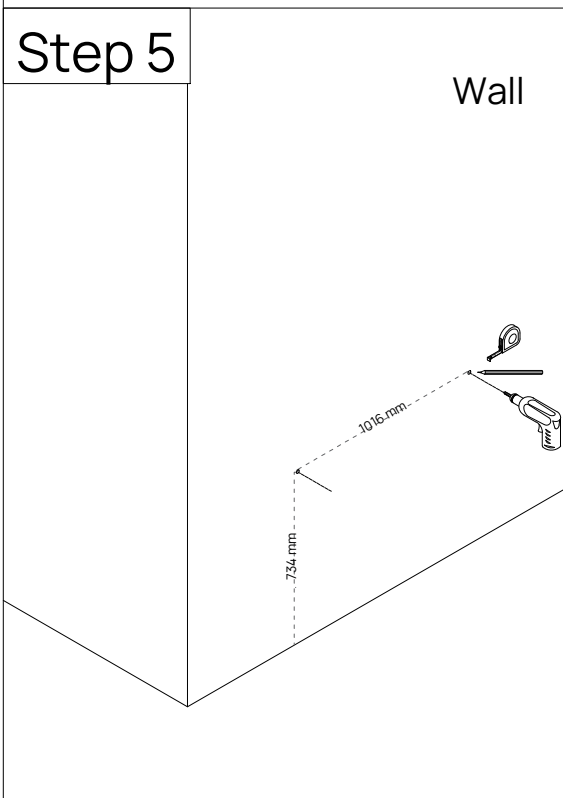
### Step 3



### Step 4



### Step 5



### Step 6

