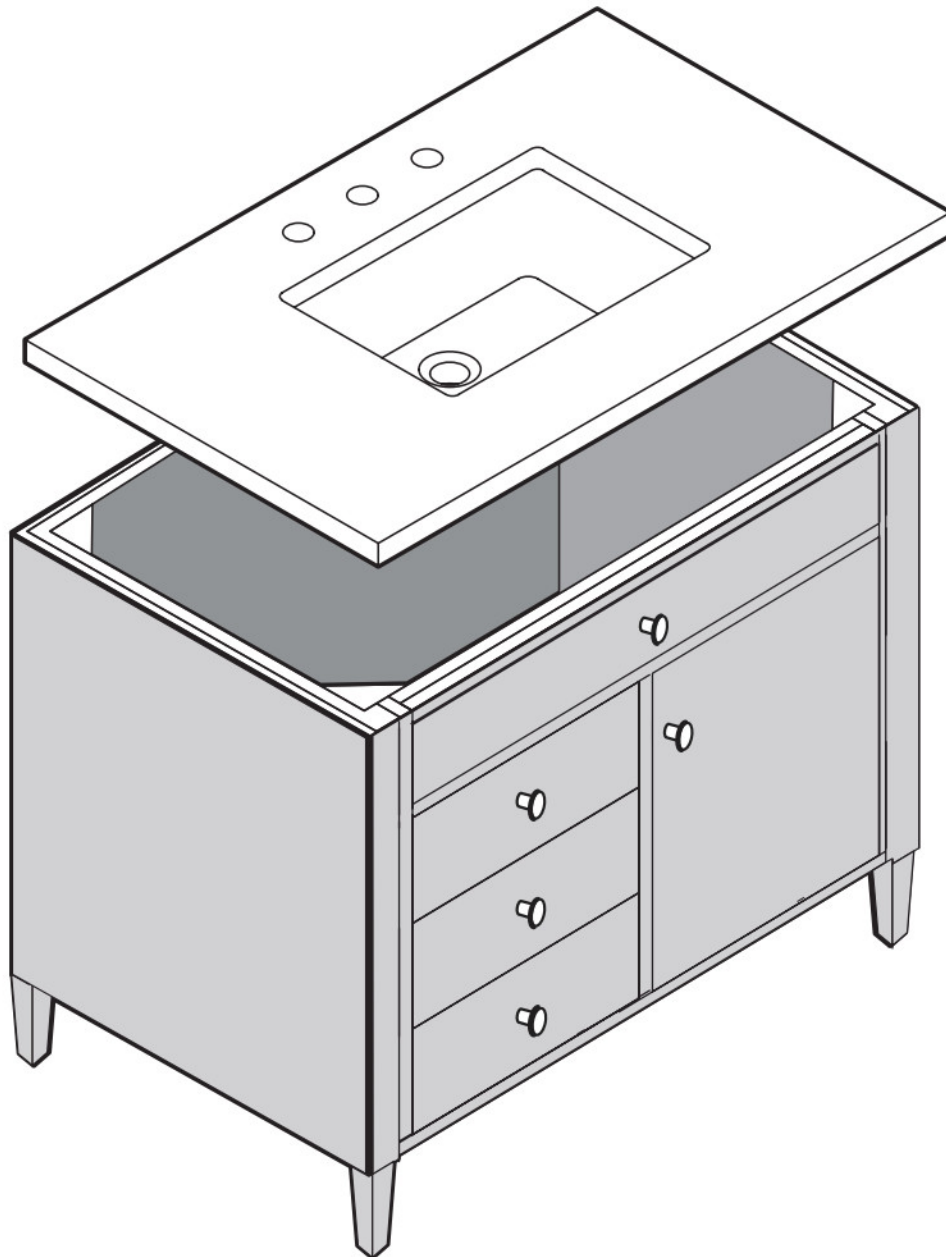


**JAMES MARTIN**  
VANITIES

**Installation Instructions for  
3cm Countertops and Undermount Sinks**

(Models: 050, 080 & 090)



**BEFORE YOU REMOVE THE TOP FROM THE CARTON**

Prior to removing the countertop from the carton inspect the carton for damage and package contents. If any damage is found, contact your place of purchase.

Products shown in this manual do not reflect a specific vanity or sink.

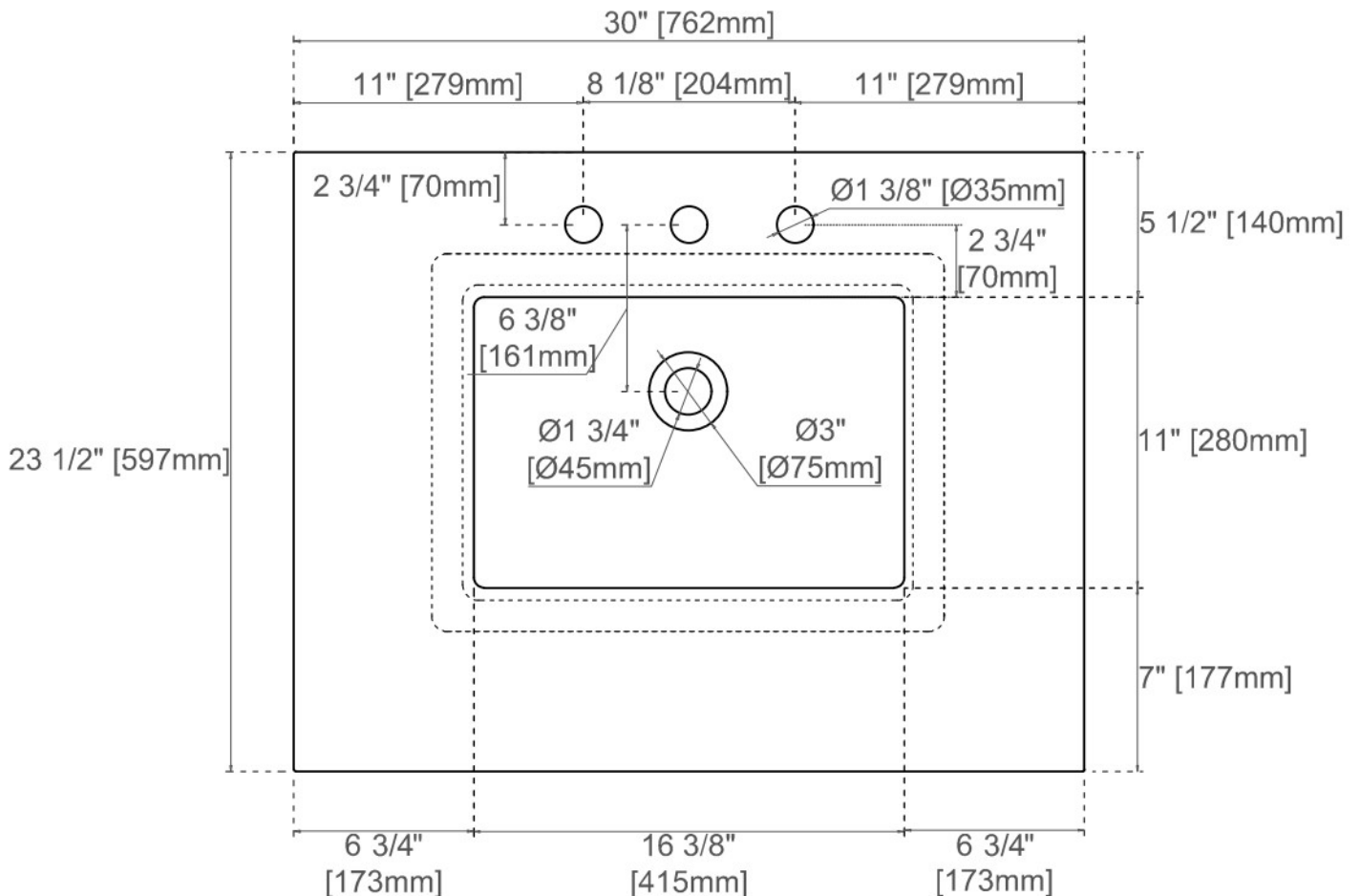
**30" 3CM 050 SERIES  
SILESTONE®  
QUARTZ COUNTERTOPS**

**JAMES MARTIN**  
VANITIES

**Silestone® by Cosentino**

Silestone is a hybrid surface of premium minerals, recycled materials, resins, and pigments that produce a hygienic, high-performance, stain and scratch-resistant surface.

The production process of Silestone employs an innovative and sustainable technology known as HybriQ. This groundbreaking technology employs an innovative hybrid composition that significantly reduces the utilization of crystalline silica, ensuring that it does not exceed 50%. This revolutionary formulation is meticulously crafted utilizing 99% recycled water and 100% electrical energy derived exclusively from renewable sources.



**All dimensions are nominal**

Visit website for warranty and installation information  
[www.jamesmartinvanities.com](http://www.jamesmartinvanities.com)

Version: 202301

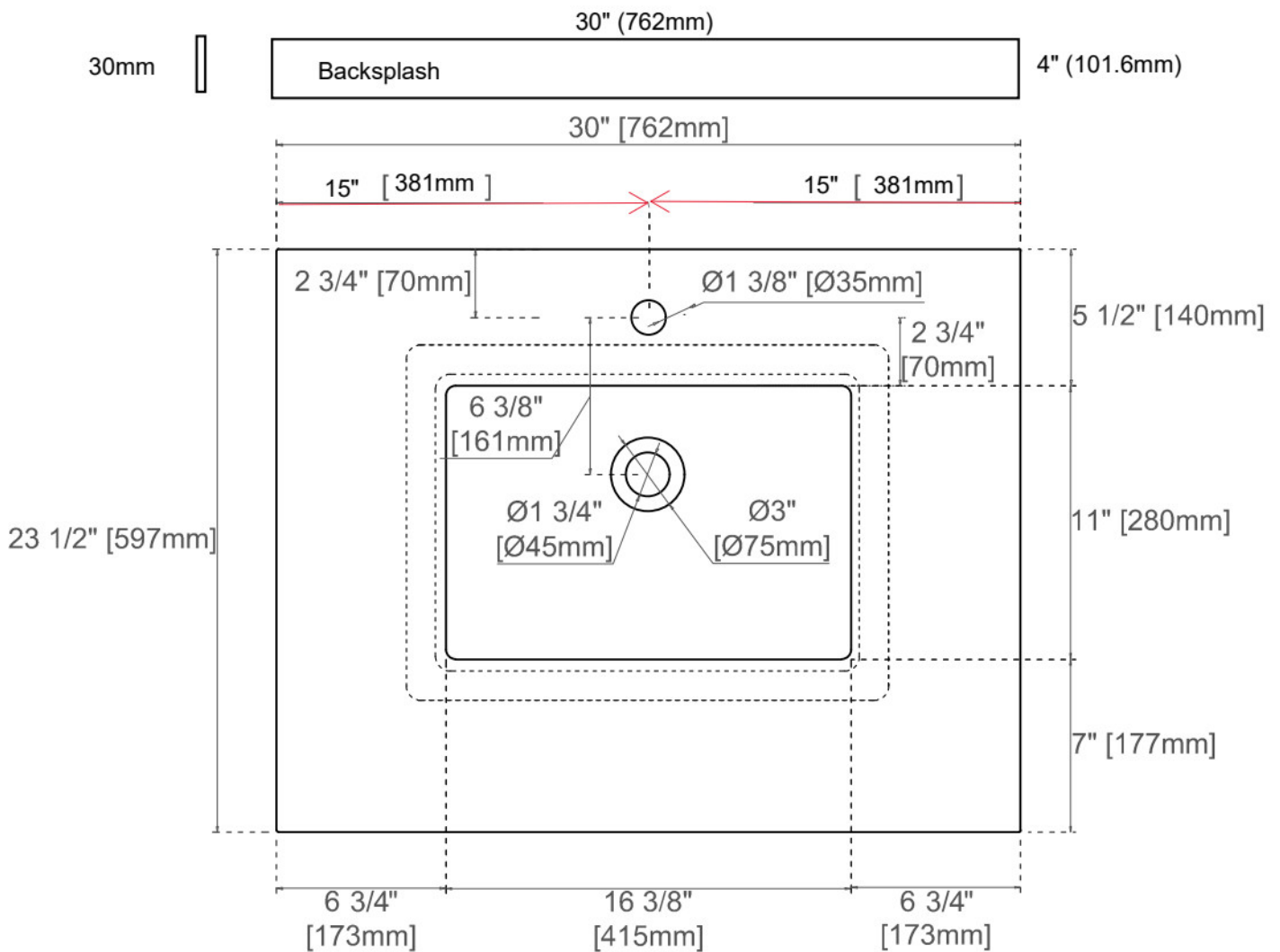
**30" 3CM 051 SERIES  
SILESTONE®  
QUARTZ COUNTERTOPS WITH BACKSPLASH**

**JAMES MARTIN  
VANITIES**

**Silestone® by Cosentino**

Silestone is a hybrid surface of premium minerals, recycled materials, resins, and pigments that produce a hygienic, high-performance, stain and scratch-resistant surface.

The production process of Silestone employs an innovative and sustainable technology known as HybriQ. This groundbreaking technology employs an innovative hybrid composition that significantly reduces the utilization of crystalline silica, ensuring that it does not exceed 50%. This revolutionary formulation is meticulously crafted utilizing 99% recycled water and 100% electrical energy derived exclusively from renewable sources.



**All dimensions are nominal**

Visit website for warranty and installation information  
[www.jamesmartinvanities.com](http://www.jamesmartinvanities.com)

Version: 202301

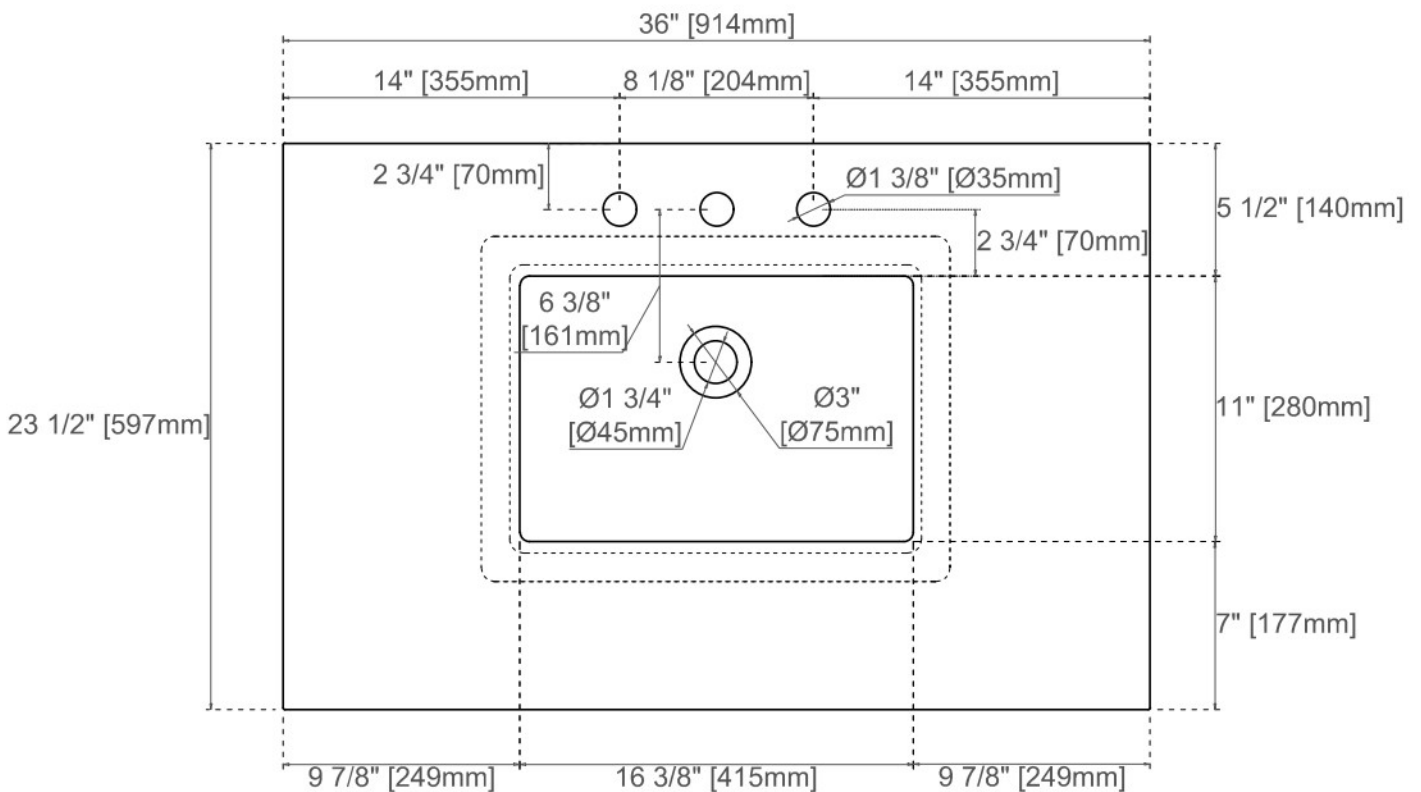
**36" 3CM 050 SERIES  
SILESTONE®  
QUARTZ COUNTERTOPS**

**JAMES MARTIN**  
VANITIES

**Silestone® by Cosentino**

Silestone is a hybrid surface of premium minerals, recycled materials, resins, and pigments that produce a hygienic, high-performance, stain and scratch-resistant surface.

The production process of Silestone employs an innovative and sustainable technology known as HybriQ. This groundbreaking technology employs an innovative hybrid composition that significantly reduces the utilization of crystalline silica, ensuring that it does not exceed 50%. This revolutionary formulation is meticulously crafted utilizing 99% recycled water and 100% electrical energy derived exclusively from renewable sources.



**All dimensions are nominal**

Visit website for warranty and installation information  
[www.jamesmartinvanities.com](http://www.jamesmartinvanities.com)

Version: 202301

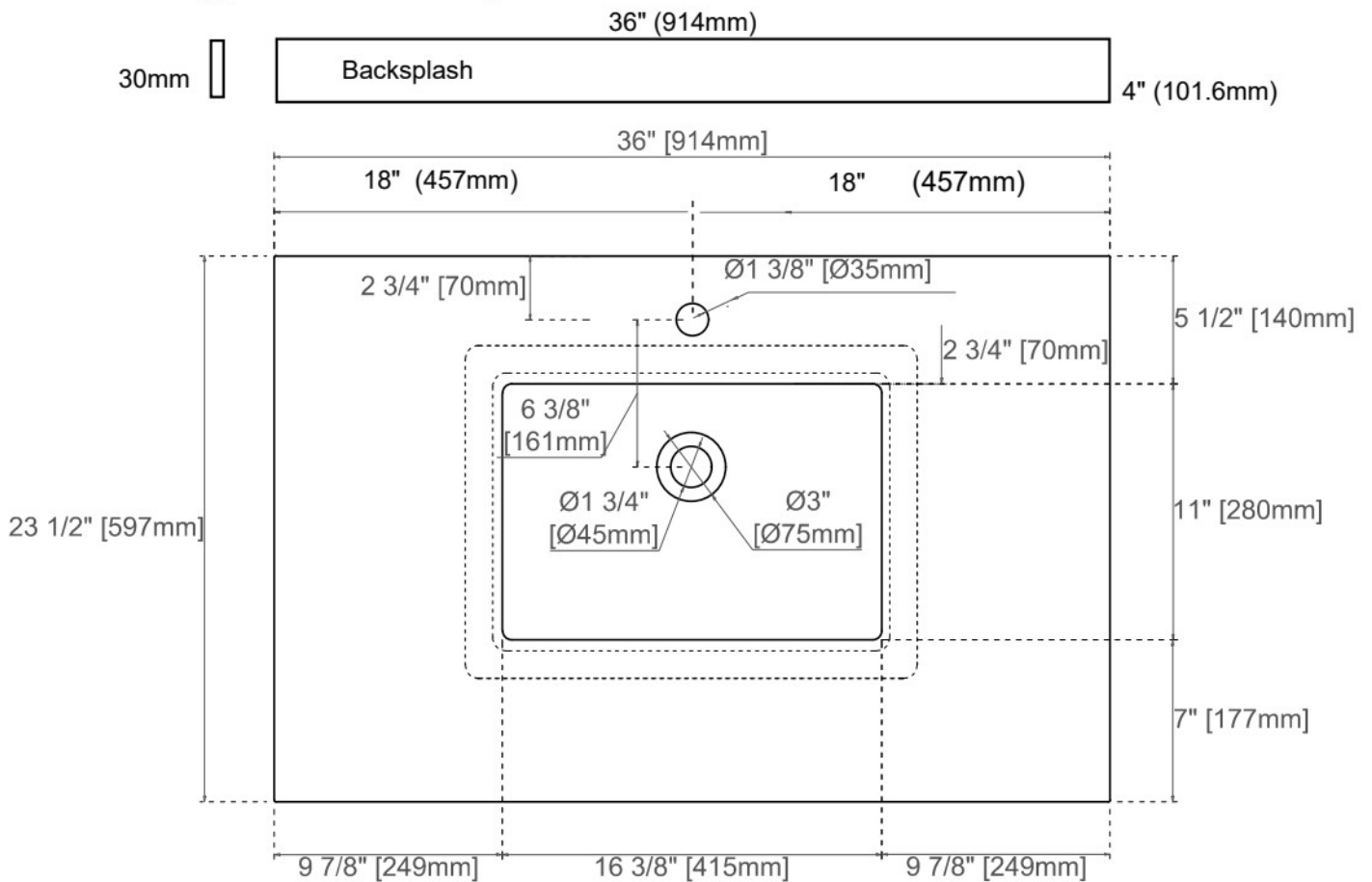
**36" 3CM 051 SERIES  
SILESTONE®  
QUARTZ COUNTERTOPS WITH BACKSPLASH**

**JAMES MARTIN**  
VANITIES

**Silestone® by Cosentino**

Silestone is a hybrid surface of premium minerals, recycled materials, resins, and pigments that produce a hygienic, high-performance, stain and scratch-resistant surface.

The production process of Silestone employs an innovative and sustainable technology known as HybriQ. This groundbreaking technology employs an innovative hybrid composition that significantly reduces the utilization of crystalline silica, ensuring that it does not exceed 50%. This revolutionary formulation is meticulously crafted utilizing 99% recycled water and 100% electrical energy derived exclusively from renewable sources.



**All dimensions are nominal**

Visit website for warranty and installation information  
[www.jamesmartinvanities.com](http://www.jamesmartinvanities.com)

Version: 202301

