

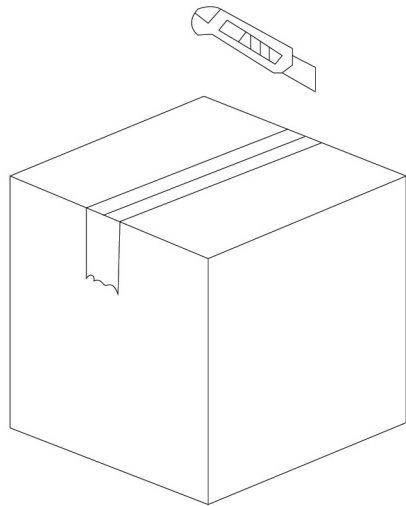
VANITY INSTALLATION GUIDE

UNPACKING THE VANITY

To avoid scratches, scuffs, and other damages, do not assemble your vanity directly on the floor. Place a sheet of cardboard or another protective surface on the floor, and assemble your vanity on top of it. Always protect all surfaces from sharp objects, high heat sources, direct prolonged sunlight, and harsh chemicals. Professional installation is recommended.

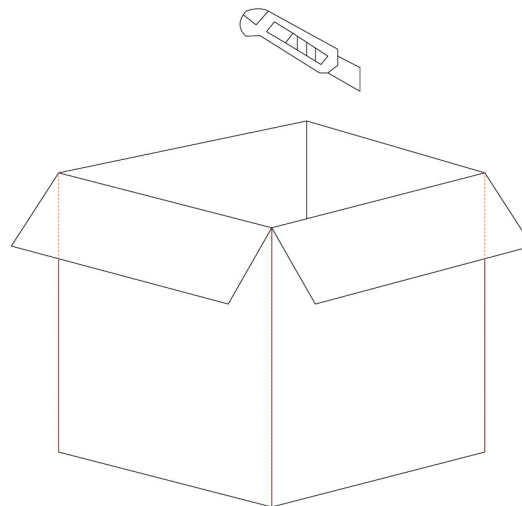
01

Open the top of the box and remove any loose items.



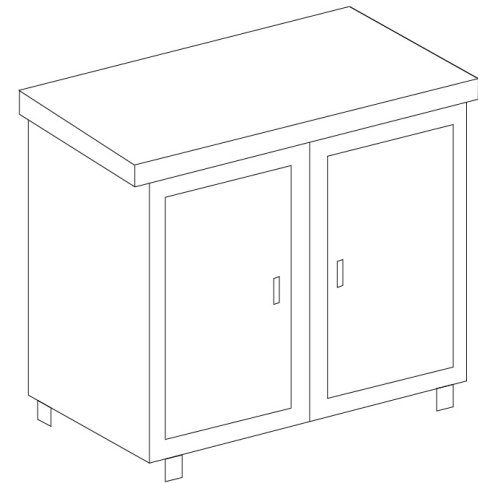
02

If there is proper packing on the corners cut down the edges. This will allow you to access the vanity.



03

Check the vanity for any shipping damage. Note that the vanity top may have been shipped separately.

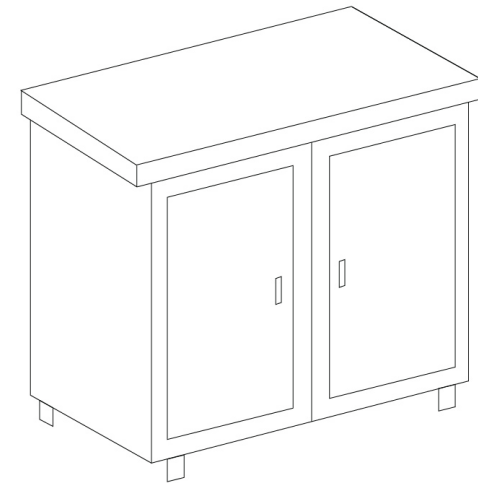
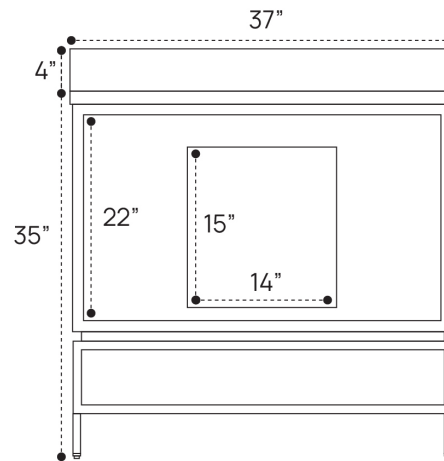
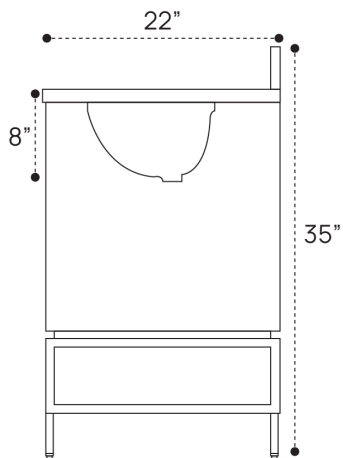
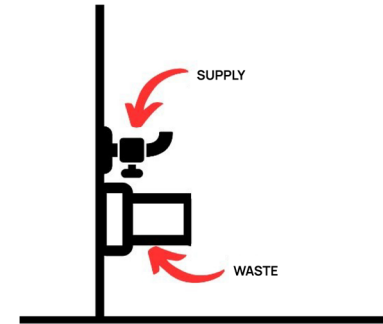
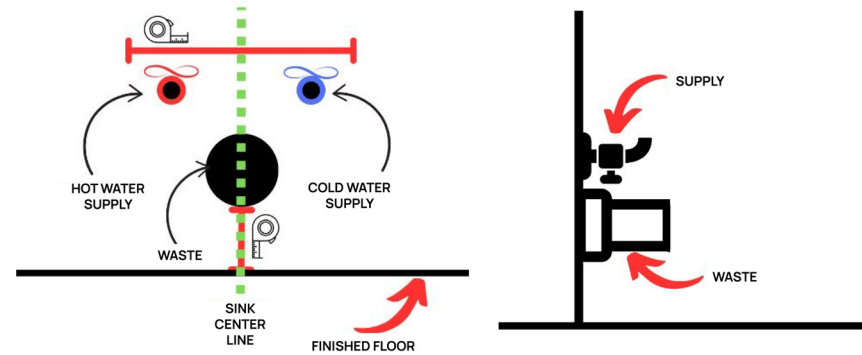


When using a knife when opening boxes.
A long blade could scratch the finish of your product.

Regardless of the sizing, and number of sinks in your selected bathroom vanity, each sink hookup will need three things from your plumbing: hot water supply, cold water supply and a waste line/drain. Each bathroom vanity is unique, and is built to different specifications. It is imperative that the installer references the dimensions and plumbing needs of your chosen vanity.

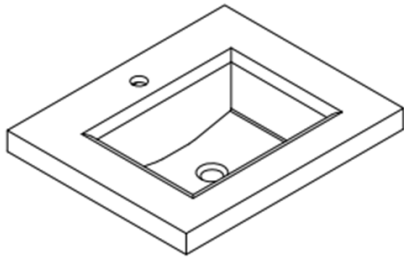
LOCATING YOUR PLUMBING CUTOUT

Review the dimensions and plumbing cutout of your vanity to determine the necessary plumbing layout and blocking height.

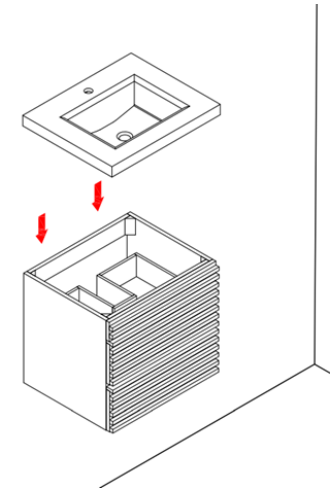
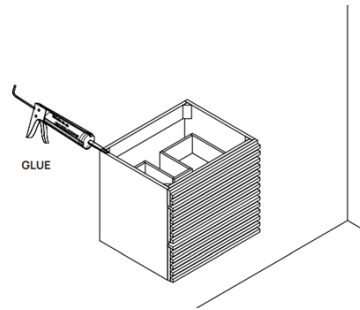


INSTALLING YOUR COUNTERTOP

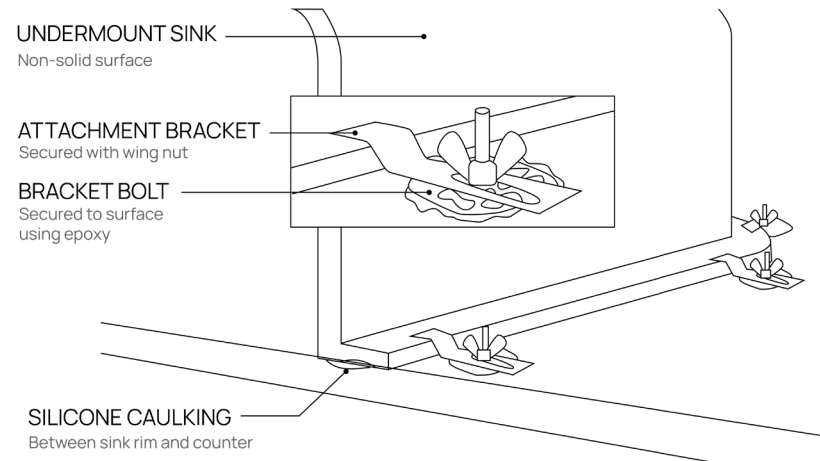
01
Check your top to make sure that it meets your expected quality.



02
Secure top. For undermount sinks- Attach the clips (if provided) and secure the sink to the counter. NOTE some tops will ONLY use a silicone as the adhesive.



03
Apply silicone to the vanity and apply counter.



04
Attach anchors if applicable.

