








ASSEMBLY GUIDE

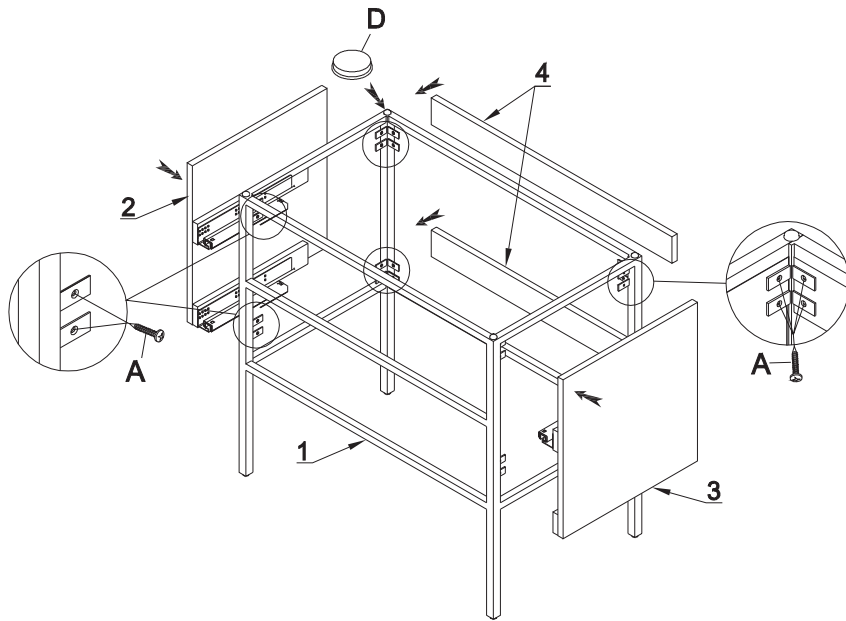
Element Collection

tilebar

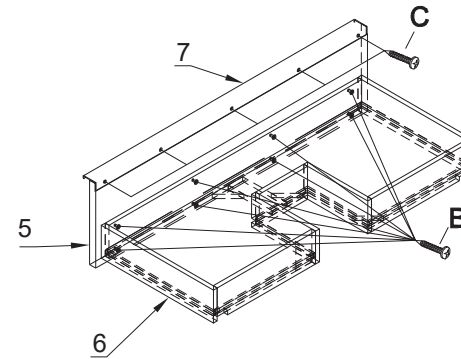
LIST OF PARTS			
No.	Description		Q'ty
1	Metal Frame		1
2	Side Panel Left		1
3	Side Panel Right		1
4	Back Rail		2
5	Drawer Front		2
6	Drawer Box		2
7	Drawer Pull		2

LIST OF HARDWARE				
No.	Description			Q'ty
A		Screw	# 8*13 mm	24
B		Screw	# 8*19 mm	16
C		Screw	# 3*15 mm	10
D		Bumpers		4

STEP 1



STEP 2



STEP 3

