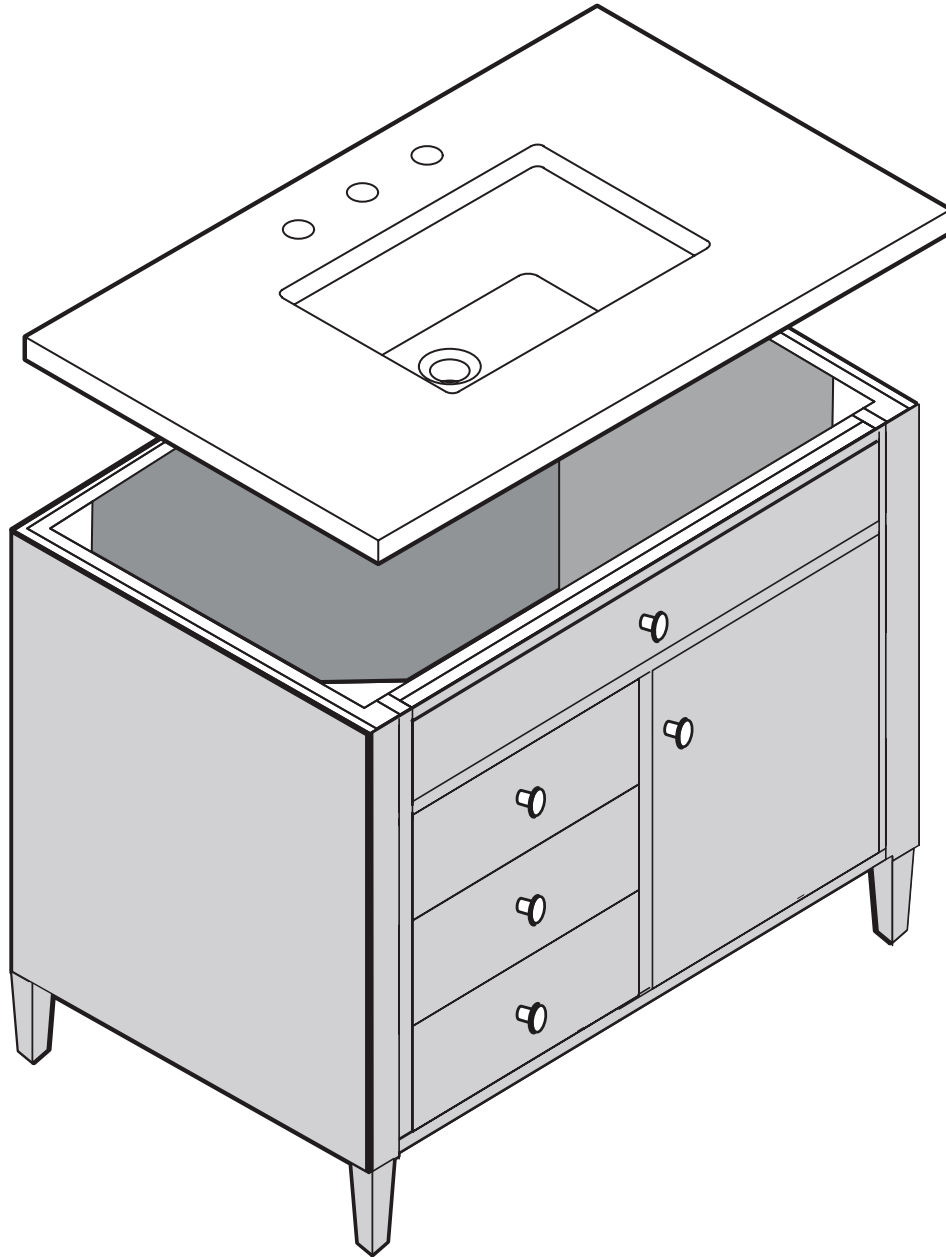


JAMES MARTIN VANITIES®

Installation Instructions for 3cm Countertops and Undermount Sinks

(Models: 050, 080 & 090)



BEFORE YOU REMOVE THE TOP FROM THE CARTON

Prior to removing the countertop from the carton inspect the carton for damage and package contents. If any damage is found, contact your place of purchase.

Products shown in this manual do not reflect a specific vanity or sink.

Installation Instructions for 3cm Countertops with Undermount Sink

IMPORTANT STEPS BEFORE YOU BEGIN

- Ensure the vanity cabinet is in place and has been properly installed to meet plumbing codes. For your safety and to achieve the best possible results, James Martin Vanities recommends you consult with a professional contractor.
- Shut off the water supply. Water supply and drain access must be in place prior to installing the countertop and sink.
- Ensure the vanity cabinet is level.

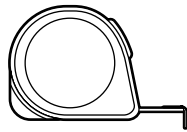
TOOLS AND MATERIALS: (Not included)



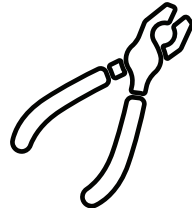
Level



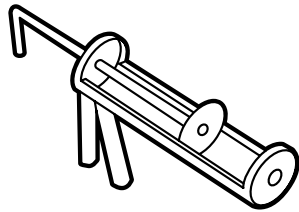
Marker



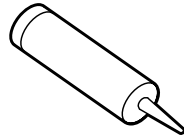
Tape Measure



Pliers

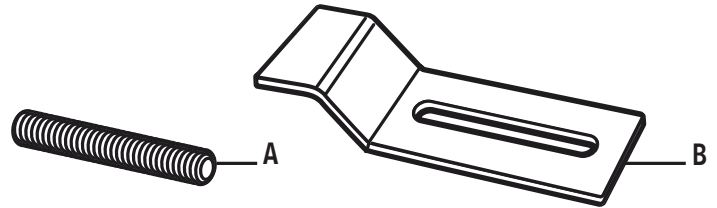


Caulk Gun



Silicone Sealant

SINK MOUNTING HARDWARE (Included)

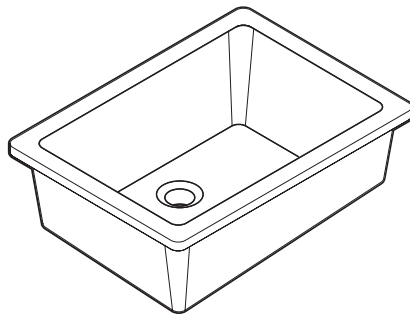


Part	Description	Quantity
A	Set screw	4
B	Sink clamp	4
C	Washer	4
D	Lock washer	4
E	Wing nut	4

SINK CARTON CONTENTS

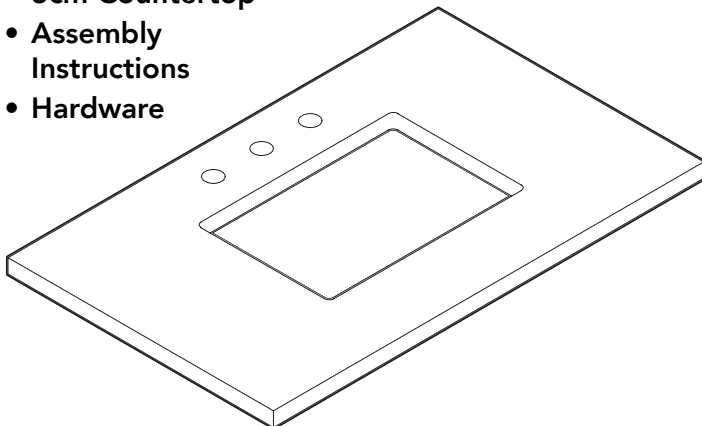
- Sink

The 3cm Countertop and Sink are packaged and shipped separately.



COUNTERTOP CARTON CONTENTS

- 3cm Countertop
- Assembly Instructions
- Hardware



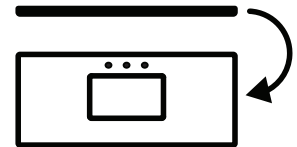
PROPER HANDLING OF 3CM COUNTERTOP

Carefully unpack the countertop and place finished side down on flat, soft and sturdy surface.

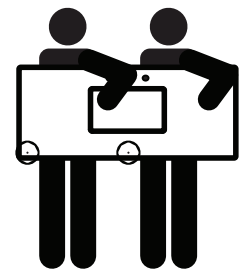
Important: The countertop is very fragile. Take caution when handling, and have someone assist you.



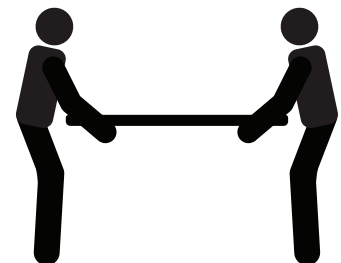
Rotate carton from flat position and lift top vertically.



Lift top vertically with two people.



NEVER LIFT OR CARRY THE VANITY TOP FLAT.

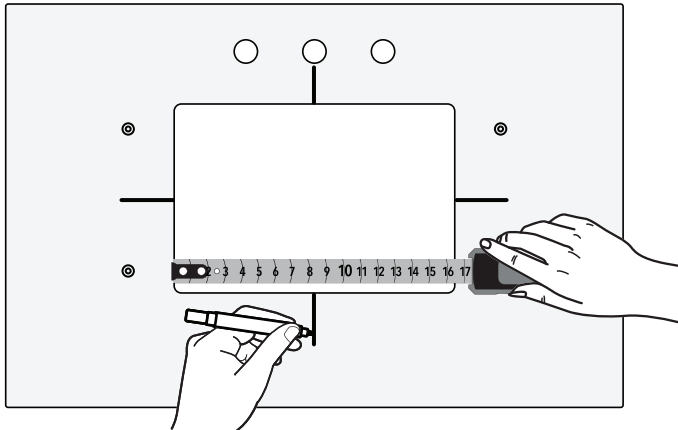


Installation Instructions for 3cm Countertops with Undermount Sink

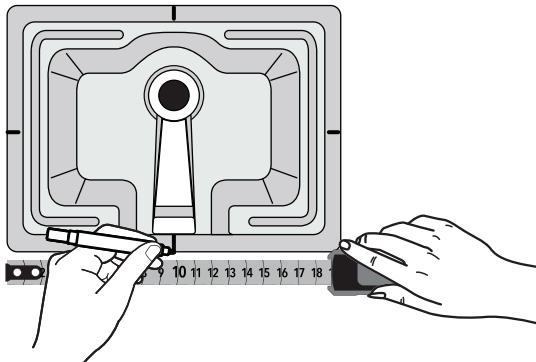
SINK INSTALLATION

IMPORTANT: Make sure all surfaces are clean.
Place top finished side down on a soft surface.

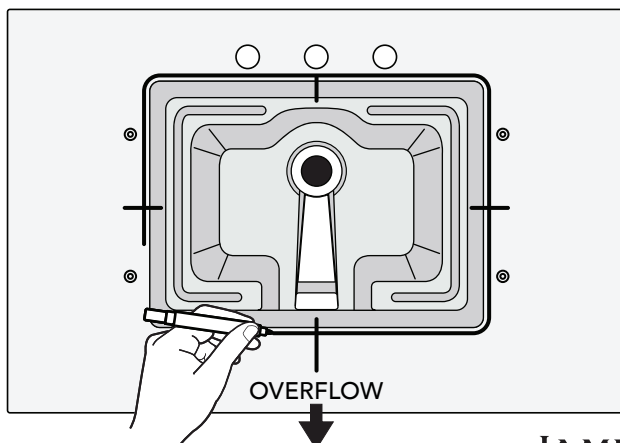
1. Using a tape measure, draw a straight 3" line marking the center points of all sides of the sink cut out.



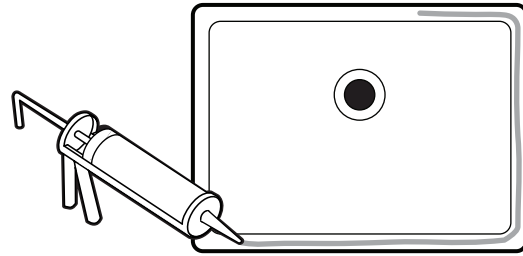
2. Carefully unpack the undermount sink and place on a soft surface, bowl side up. Using a tape measure, identify and mark center point on all sides of the bottom and profile of the lip of the sink.



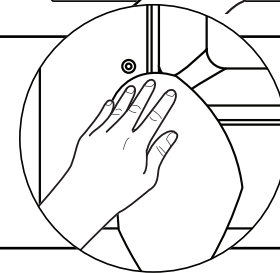
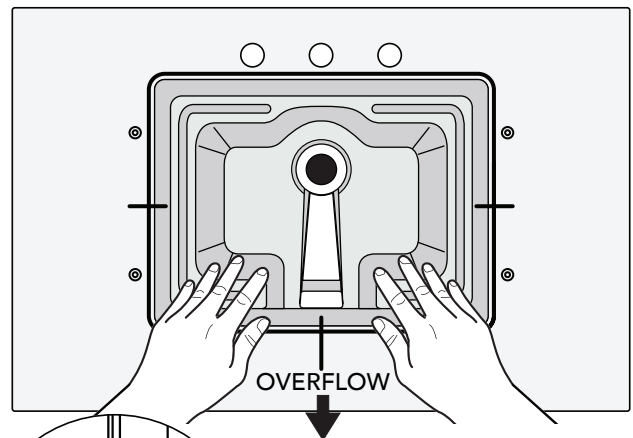
3. Carefully lift the sink and place it centered over the countertop cutout, bowl side up and with the overflow drain at the opposite end from the faucet holes. Align all marked center points along each side of the lip of the sink, with the marked center points along cut out in the countertop. Ensure the sink is centered over the opening and carefully trace around the perimeter of the sink with a marker.



4. Carefully lift the sink from the countertop and place it on a soft surface, bowl side down. Apply a bead of silicone sealant around the top edge of the sink rim.

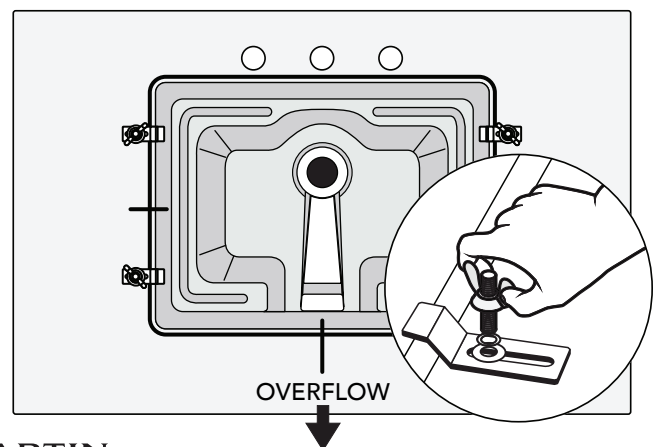


5. Carefully lift and turn the sink over on the countertop, positioning it within your marked outline, ensuring again that the overflow is opposite from the faucet holes. Once positioned, press firmly in place.



6. Wipe away any excess sealant with a damp cloth and allow sealant to dry according to manufacturer's recommendations.

7. Attach sink clips by placing the long end of the bracket flat against the sink lip. Insert the set screw through the bracket, into the threaded holes. Twist to tighten. Thread the washer, lock washer and wing nut over the set screw and tighten. Pliers can be used – do not over tighten. Allow sealant to dry as indicated by manufacturer.



Installation Instructions for 3cm Countertops with Undermount Sink

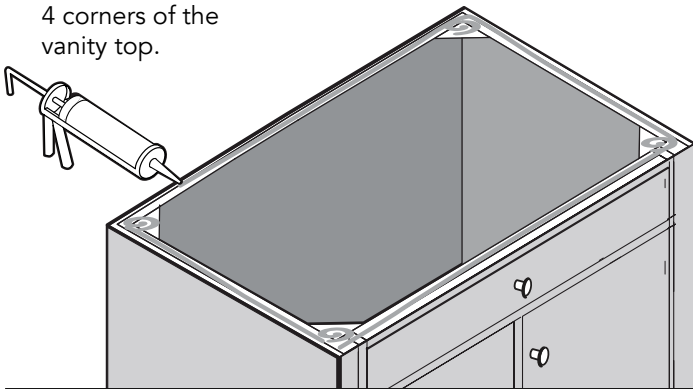
IMPORTANT

- Ensure the vanity cabinet is in place and has been properly installed to meet plumbing codes. For your safety and to achieve the best possible results, James Martin Vanities recommends you consult with a professional contractor.
- Shut off the water supply. Water supply and drain access must be in place prior to installing the countertop and sink.
- Ensure the vanity cabinet is level.

PREPARING THE VANITY CABINET FOR INSTALLATION OF THE COUNTERTOP AND SINK

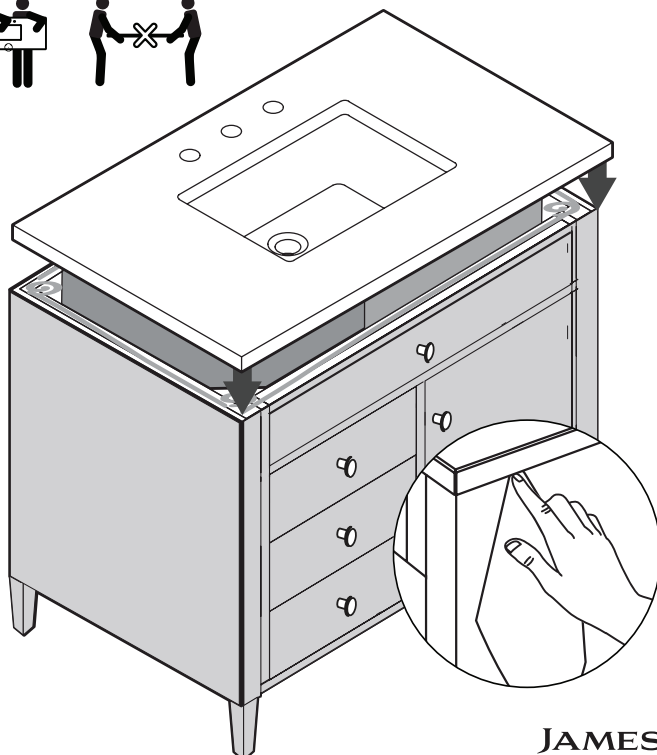
IMPORTANT: Make sure all surfaces are clean.

8. Apply an adhesive around the top edge of the vanity cabinet. Add an extra dot on all 4 corners of the vanity top.

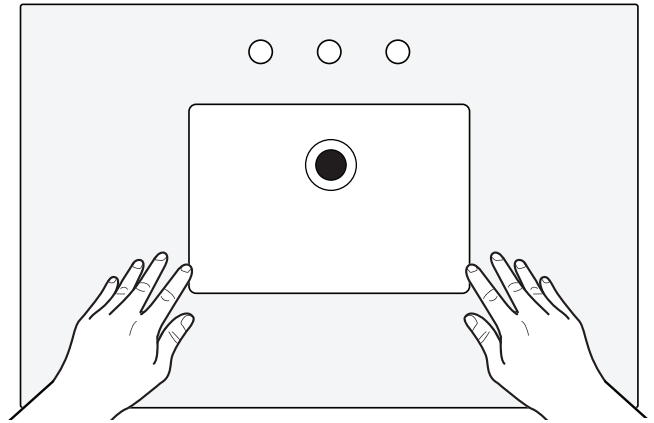


9. With assistance from another person, carefully lift the countertop with sink to a vertical position and ease onto the vanity cabinet, front edge first.

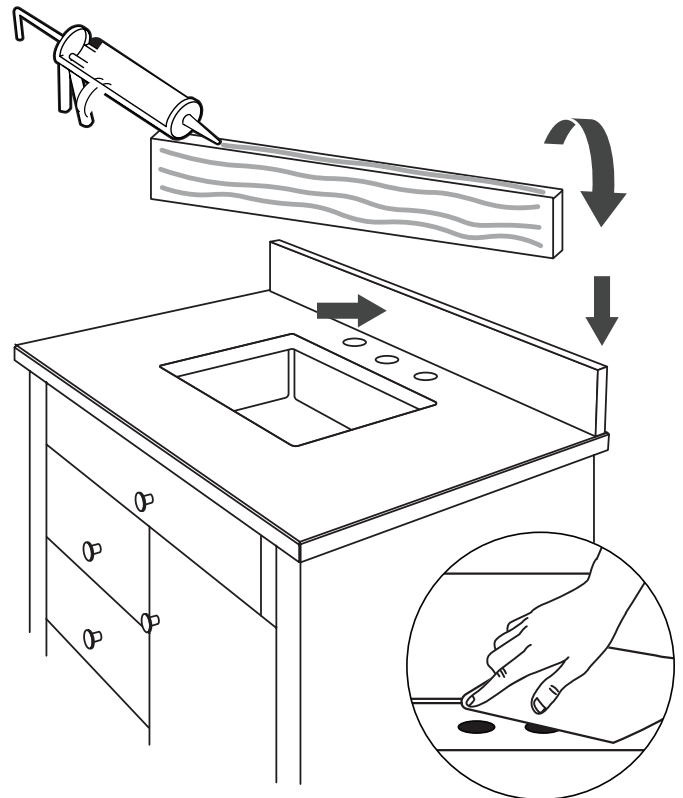
Important: The countertop is very fragile. Take caution when handling, and have someone assist you.



10. Once positioned, press firmly into place. Wipe away any excess sealant using a damp cloth.



11. If you are installing a wood back-splash (available on specific models), place a generous amount of silicone sealant on the back of it and press it into place against your bathroom wall. Fill any gaps that are left with silicone sealant. Wipe away any excess sealant with a damp cloth.



12. Once assembled allow the silicone sealant to fully dry according to the manufacturer's recommendation. When dry, proceed to the installation of your faucet and drain.

13. For stone tops, such as marble and granite, it is recommended that you apply a high quality sealer to protect from staining and discoloration. Stone sealer should be reapplied once or twice per year, depending upon usage, according to sealer's instructions.

4