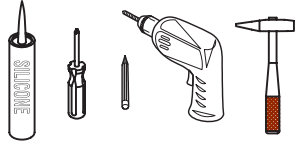


# INSTALLATION GUIDE

Kaleb Collection

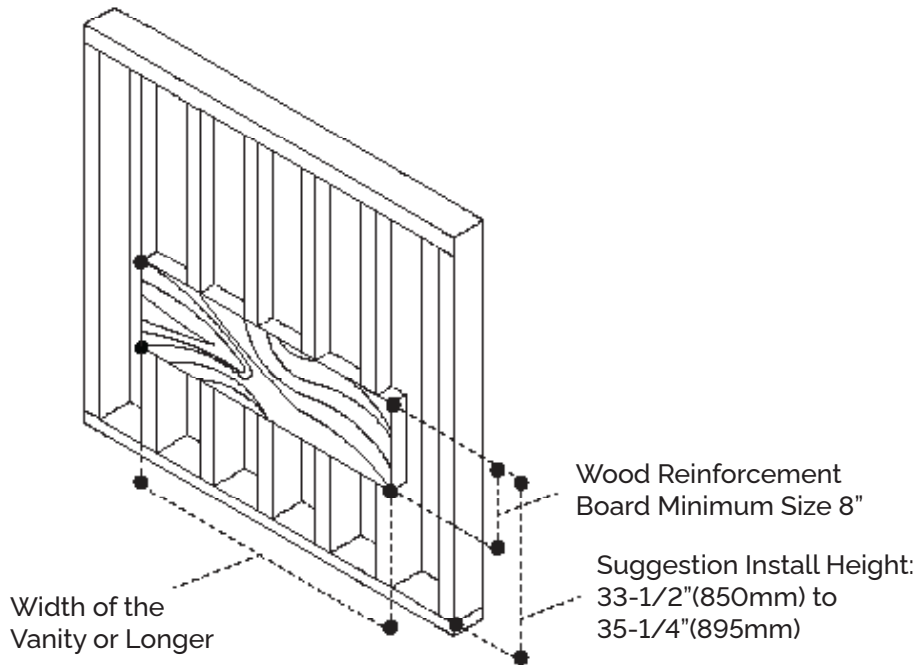


Hardware			Tools (not includes)
NO.		Draw	QTY
A	White rubber plug(Ø6mm)		2
B	Screws(Ø4 x 68mm)		2
C	Stainless steel cover		2
D	Metal feet		4
E	Metal foot screw(M4x16mm)		8



## Wall blocking is required for all installation.

The suggested heights without the sink are 30-5/8" for our Resin Basin, or 32-5/8" for our Ceramic Basin. Depending on the sinks selected, the total height will vary from 33-1/2"(850mm) to 35-1/4"(895mm). If an alternate height desired, adjust the rough-in and backing material heights using the dimensions provided.

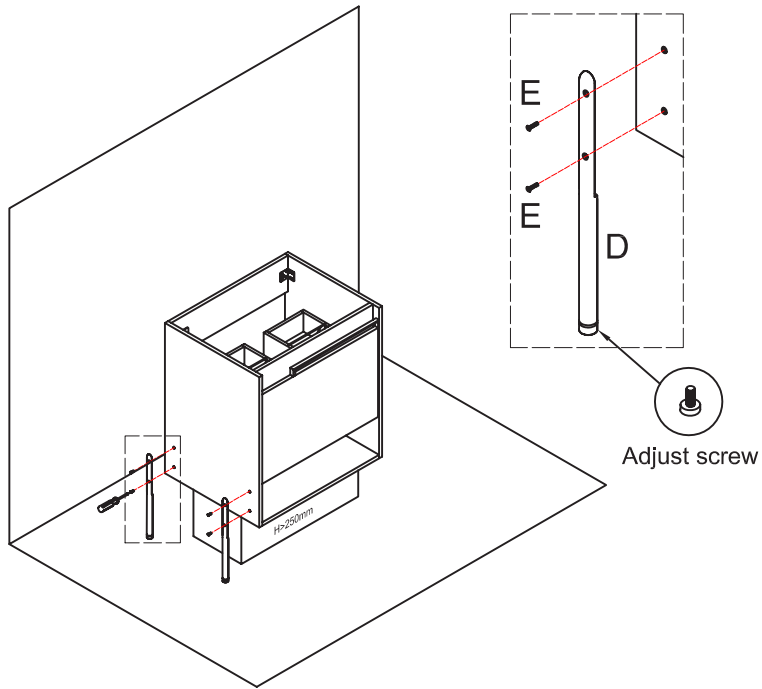


# INSTALLATION GUIDE

Kaleb Collection

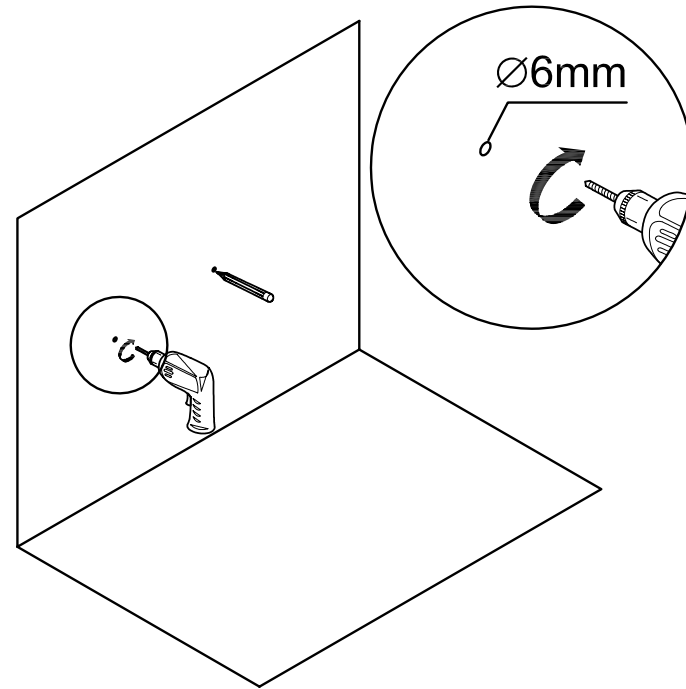
tilebar

## STEP 1



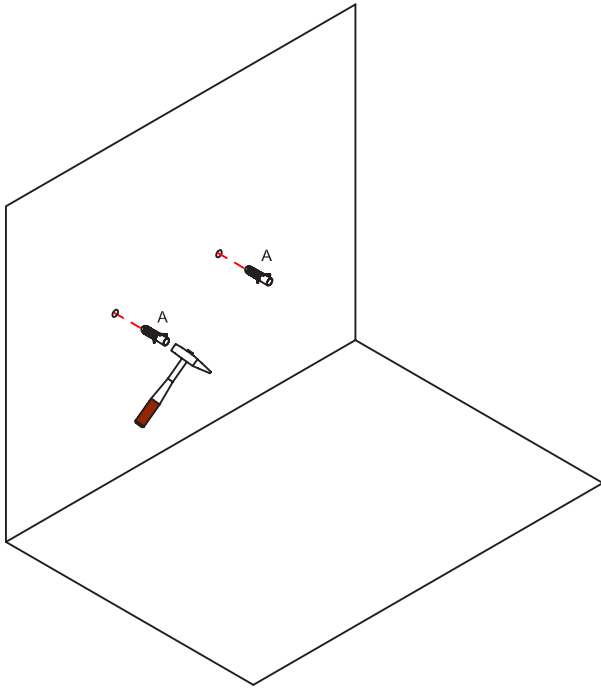
- Place the bathroom cabinet on the floor higher than 250mm.
- Use metal foot screw E to align metal foot D with the hole.
- Repeat for every leg.
- The adjusting screw at the bottom of the metal foot can be raised 0-9/16" (0-15mm).

## STEP 2



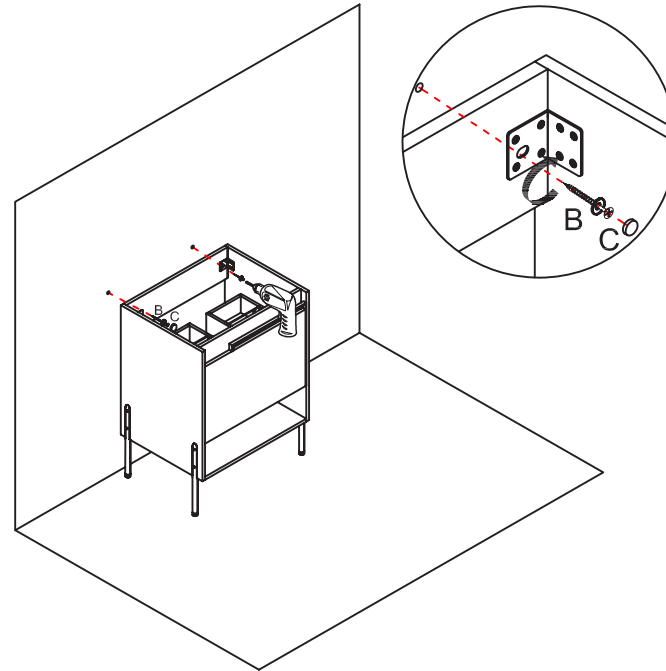
- Mark the pre-drilled holes with a pencil or marker after positioning the vanity.
- Drill the holes with the appropriate drill-bit based on the material of the wall (see Step 3).

## STEP 3



- Use a white rubber plug for brick or concrete walls.

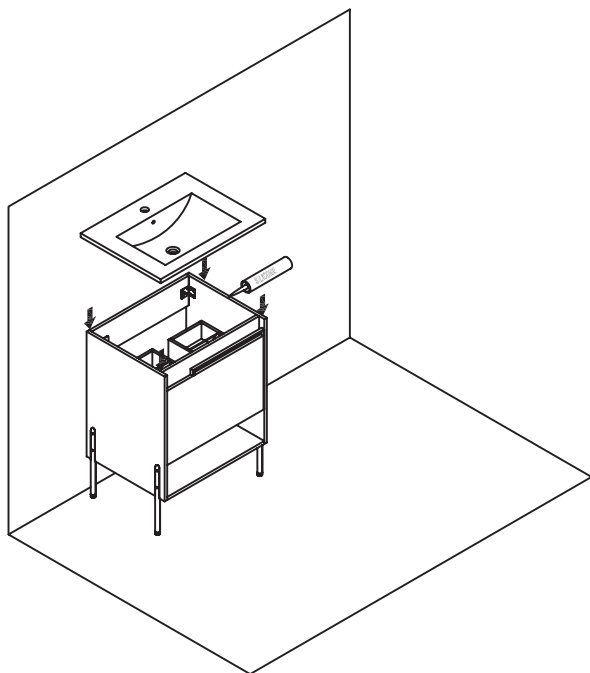
## STEP 4



- Fix the cabinet to the wall with screw B and cover it with stainless steel lid C.

## STEP 5

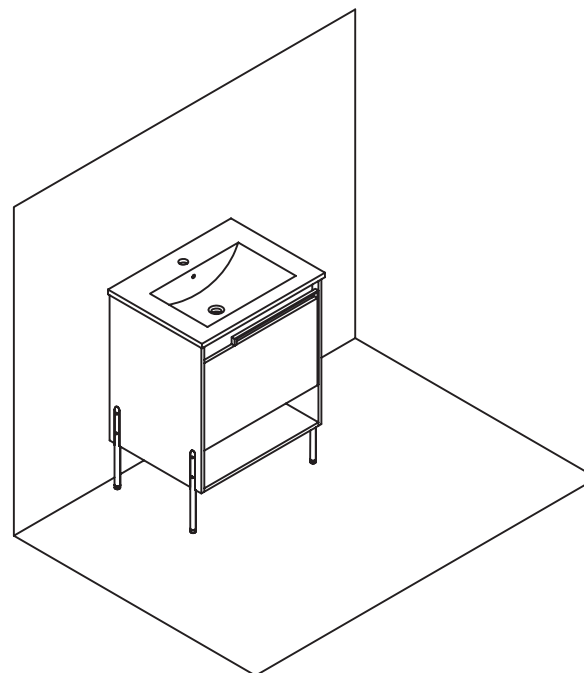
---



- Install the basin with silicone.

## STEP 6

---



- Installation complete.