

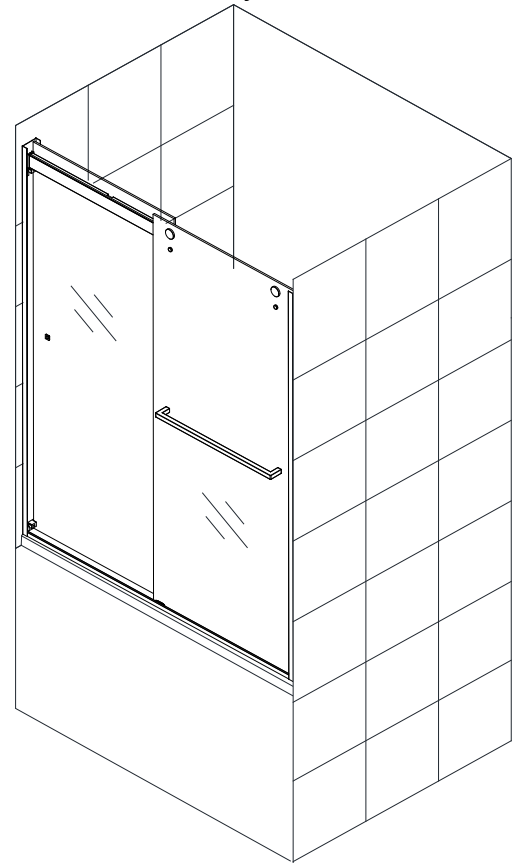
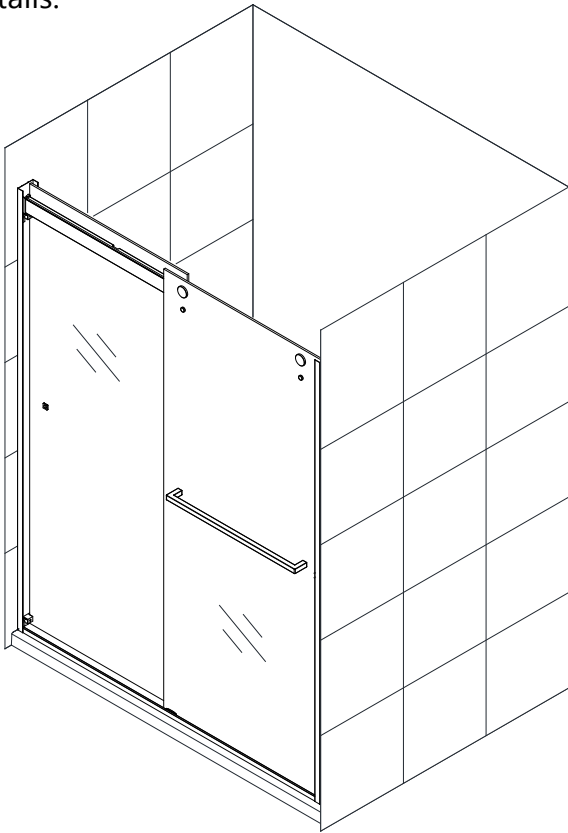


# ESSENCE-H

## SHOWER / TUB DOOR INSTALLATION INSTRUCTIONS

### IMPORTANT

DreamLine® reserves the right to alter, modify or redesign products at any time without prior notice for the purpose of product improvement and customer experience. Please refer to the model's web page on **DreamLine.com** for the latest technical drawings, installation manuals, warranty information or additional product details.



#### model#s

SHDR-6348760H-##

SHDR-6360760H-##

#### model#

TDEH60W600XXX##

##=finish

01- Chrome

04- Brushed Nickel

09 - Satin Black

G - Gray Glass

Please review this entire manual prior to installation



#### Questions?

Please Call **DreamLine** Customer Support: **1-855-831-2126**  
Hours of Operation M-F 8AM - 7PM EST and Saturday 9AM - 5PM EST

[Support@DreamLine.com](mailto:Support@DreamLine.com)



For more information about DreamLine® Shower Doors & Tub Doors please visit **DreamLine.com**



**Do not remove ClearMax stickers until glass is installed.**



**This model is treated with DreamLine's exclusive ClearMax™ Glass technology. This is a specially formulated coating that prevents the build up of soap and water spots.**

**Install the surface with the ClearMax™ label towards the inside of the shower. Please note that depending on the model, the glass may be coated on either one or both surfaces.**

**For best results, squeegee the glass after each use and dry with a soft cloth.**

## Table of Contents

Section Title	Page #
Preparation	3
Tools	4
Detailed Diagram of Shower Door Components	5
Parts List	6
Installation Steps	7-25
Guide Block	12
Rollers	22
Roller Guards	23
Wheel Assembly Adjustment	24
Product Maintenance	26



This product should be installed by someone familiar with the construction requirements for this type of project and the care necessary for the safe installation and operation of the product.

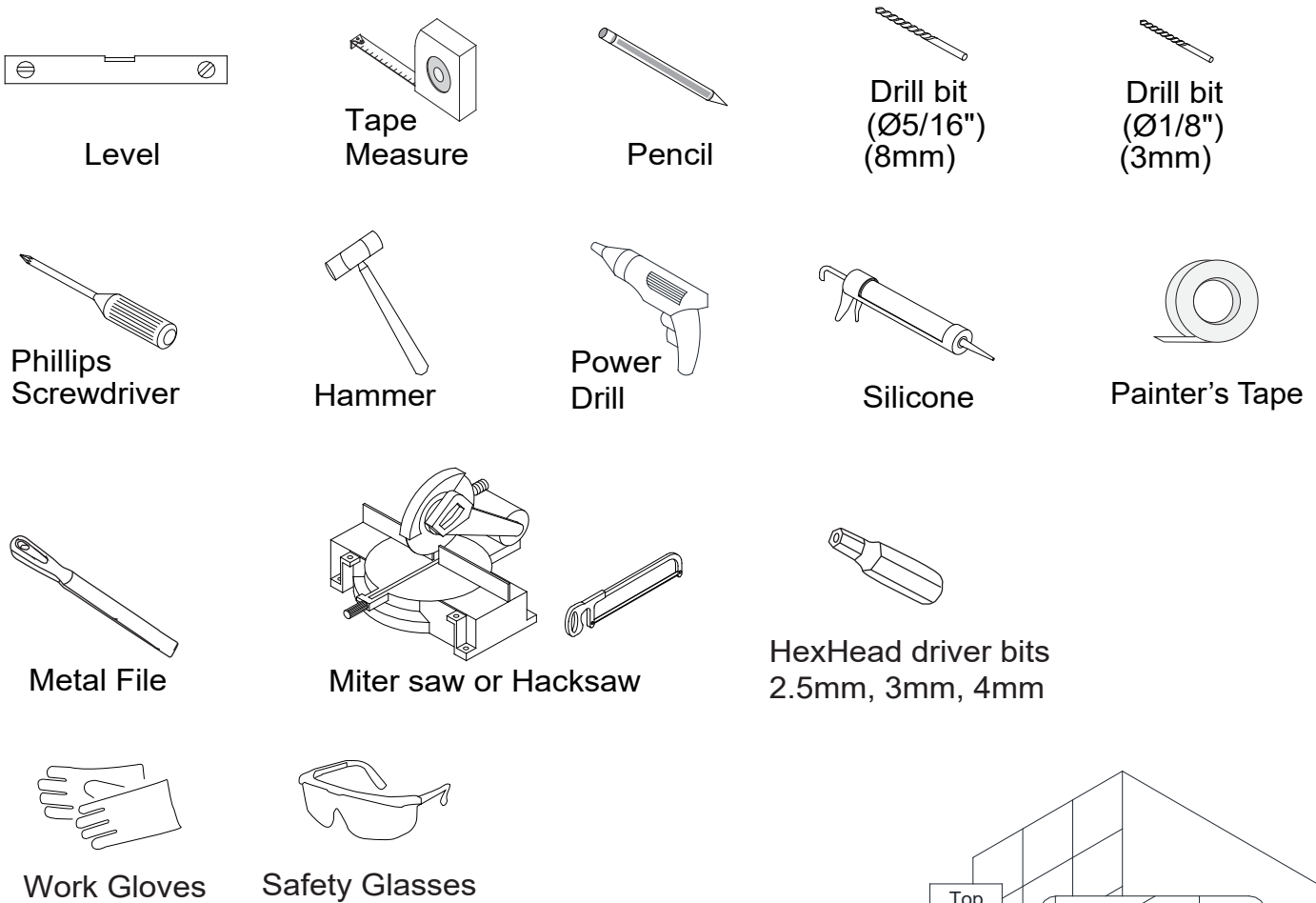
# Preparation

1. Prior to installation, examine all boxes and packages for shipping damage and compare the piece count with your packing slip. After opening all boxes and packages read this introduction carefully. Check that all of the needed parts are included in the package by checking off the components on the "Detailed Diagram of Shower Door Components". If the unit has been damaged, has a finishing defect, or has missing parts, please contact our customer support department within **3 business days** of the delivery date. **Please note that DreamLine® will not replace any damaged products or missing parts free of charge after 3 business days or if the product has been installed.** Feel free to contact DreamLine® if you have any questions and please provide an order number, job name or other proof of purchase to help identify the original order.
2. Please note that you should **consult your local building codes with questions on installation compliance standards.** Building and plumbing codes may vary by location, and **DreamLine® is not responsible for code compliance standards for your project and will not accept any returns.**
3. If this unit is going to be installed in a new construction, please install all of the required plumbing and drainage before installing the shower. Use a competent and licensed (if required by local code) plumber for all plumbing installation.
4. Please make sure that prior to beginning the installation, the surfaces are leveled and solid and will be able to support the total weight of the unit. Also make sure the walls are at right angles. Irregular installation surface level, radius corners or improper angle of side walls will result in serious problems for your installation. Please, note that some adjustments and drilling might be necessary during the installation process.
5. Please protect all primary surfaces of the product during installation. Never set your glass down directly onto a tile floor. Leave corner protectors in place until necessary to remove them. Always use a piece of wood or cardboard to protect the bottom edge and corners of the glass prior to and during installation.
6. This unit must be installed upon a finished threshold and against finished walls.
7. **This model requires drilling into the threshold for proper installation. Contact the manufacturer of the base or tub with any questions regarding the drilling of holes into their product.**
8. **This model can accommodate up to 1/4" of out-of-plumb by adjusting the rollers on the door glass. See Page # 24 for details.** Use a level to verify that your walls are within 1/4" of plumb before proceeding with the installation.
9. **Threshold must be level for proper installation.**
10. **NOTE:** This model requires a **minimum 3-1/4" of flat level threshold space for the wall profiles and 2-3/4" of flat level threshold space for the center guide block. See Fig 3 on Page #9.**
11. These instructions will show the installation of the shower height model as an example. Please follow the same steps for the installation of the tub height model.
12. **Professional installation recommended.**



**NOTE: DO NOT** install the towel bars onto the glass until instructed.  
**DO NOT** lift the glass using the towel bars. This could result in damage to the glass and/or serious personal injury. Always use an assistant or a professional grade glass suction cup when handling heavy glass.

# Tools



**Tip:** Measure the finished opening before proceeding with the installation to be sure that the correct model size has been ordered.

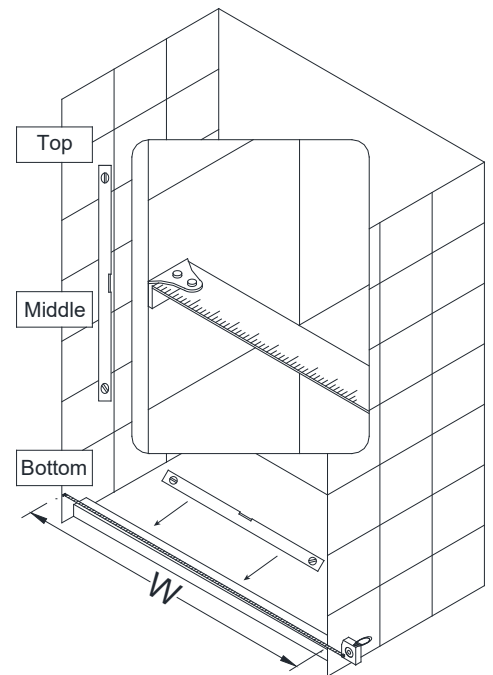
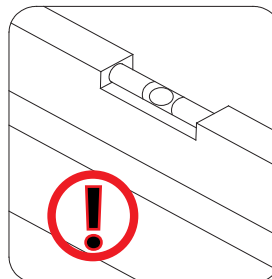
**Tip:** Prior to installation, cover the shower/tub drain with tape to prevent losing screws or small parts.

**Tip:** Set screw gun clutch to low setting when installing screws and bolts to prevent stripping the heads.

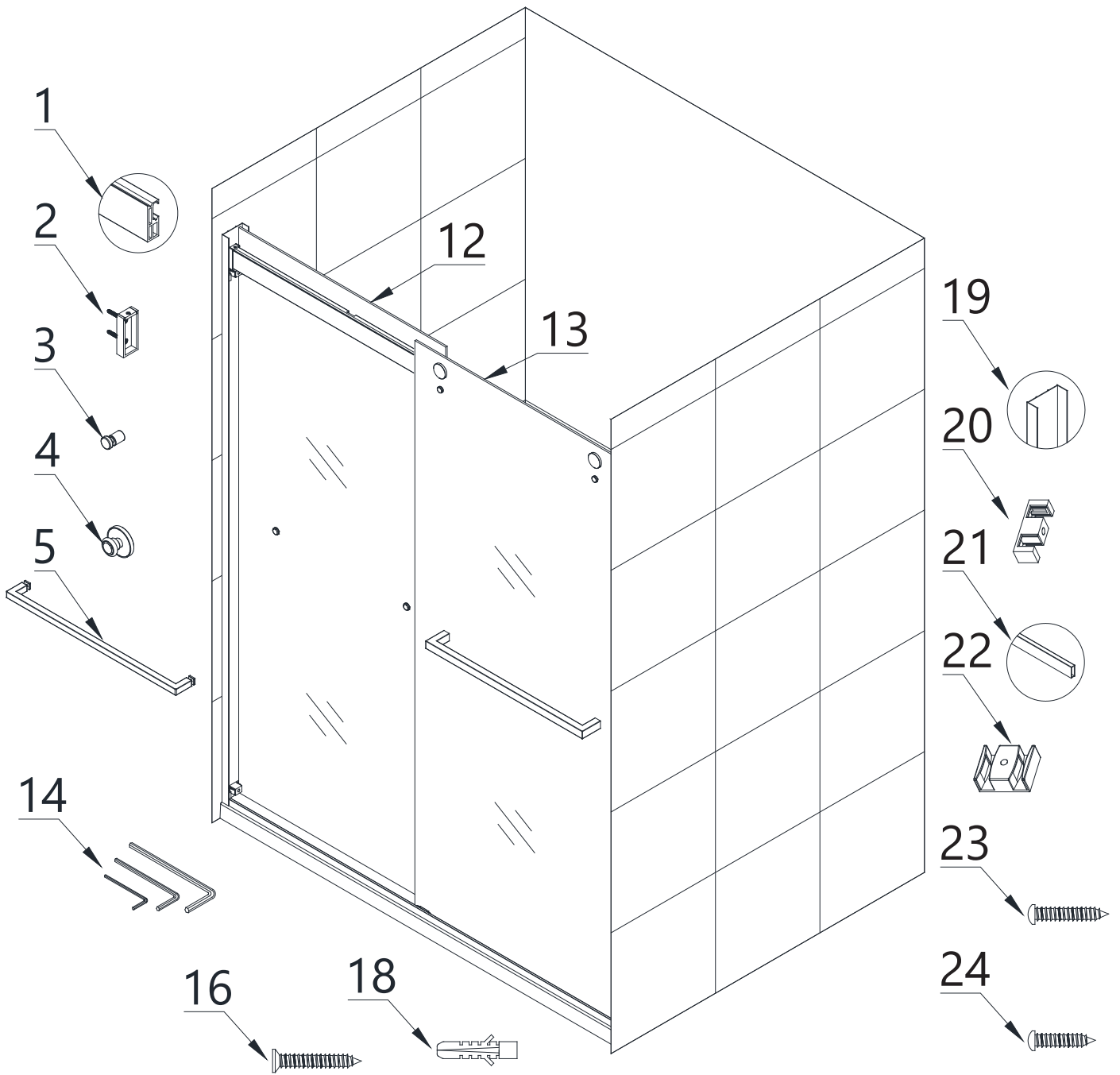
**NOTE:** Unpack your unit carefully and inspect it. Identify all parts using the detailed diagram and packing list in this manual as a reference. Before discarding the carton, check for small hardware bags that may have fallen to the bottom of the box. If any parts are damaged or missing, please contact DreamLine® for replacement. The shipping boxes may contain extra parts not used in your model configuration.

**NOTE:** Retain these installation instructions for future reference.

Threshold must be level.



# Detailed Diagram of shower door components



**The glass surface with the ClearMax™ label must be installed facing the inside of the shower**

## Parts List

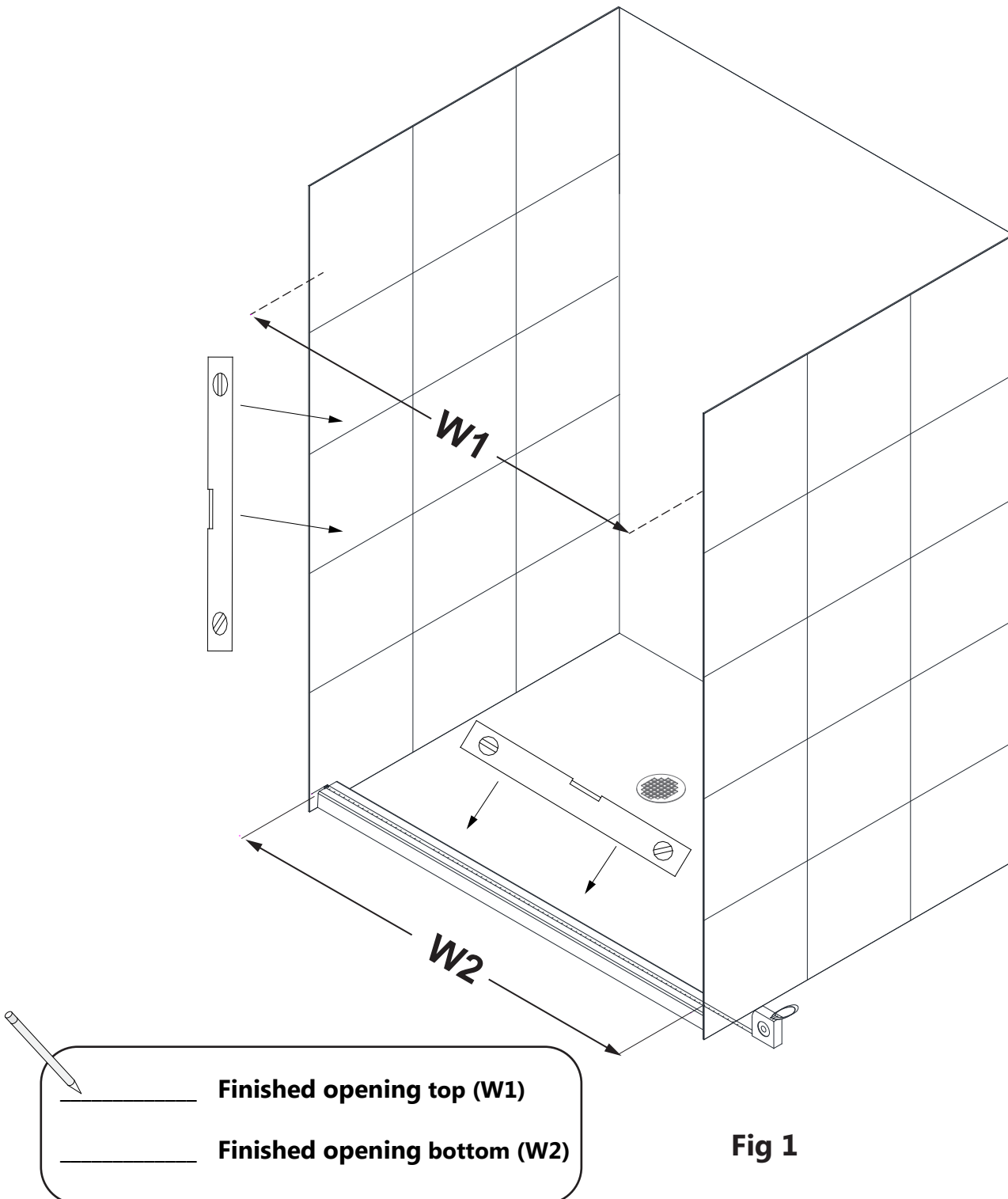
SKU# SHDR-636076HXX, SHDR-634876HXX, TDEH60W600XXXX		FACTORY PARTS INFORMATION	
ITEM #	FACTORY PART NUMBER	ITEM DESCRIPTION	QTY
01	04184011-1203 , 04184041-1203, 04184091-1203/ 04184011-1508, 04184041-1508, 04184091-1508	Upper Guide Rail (Shower model 48", 60")	1 pc
	04283011-1508, 04283041-1508, 04283091-1508	Upper Guide Rail (Tub model)	1 pc
02	07021106, 07024106, 07029106	Guide Rail Bracket	2 pcs
03	07021107, 07024107, 07029107	Roller Guard	2 pcs
04	07351022, 07354022, 07359022	Roller	4 pcs
05	7221035, 07224035, 07229035 / 07221036, 07224036, 07229036	Towel Bar (60" / 48")	2 pcs
12	010300002/010300004/010300006	Inside Door Glass ( tub / 48" / 60")	1 pc
13	010300001/010300003/010300005	Outside Door Glass ( tub / 48" / 60")	1 pc
	010300019, 010300020/ 010300021, 010300022	Gray Door Glass ( 48" /60" )	1 pc
14	098002, 098003, 098004	Allen Wrench: 2.5mm / 3mm / 4mm	1 each
16	092108	ST4.2x40 Countersunk Screw	4 pcs
18	07550045/07552148	Wall Anchor	4 pcs
19	04201011-1524, 04201041-1524, 04201091-1524/ 04201011-1930, 04201041-1930, 04201091-1930	Wall Profile (60" tub / 76" shower)	2 pcs
20	07551070/ 07554070	SafeClose™ Bumper	4 pcs
21	04200011-1214, 04200041-1214, 04200091-1214/ 04200011-1519, 04200041-1519, 04200091-1519	Bottom Guide Rail (48", 60")	1 pc
22	07551067, 07554067, 07559067/ 07551070, 07554070, 07559070/ 07551066, 07554066, 07559066	Guide Block	1 pc
23	091107	ST4.2x40 Pan head screw	4 pcs
24	091103	ST4.2x20 Pan head screw	1 pc

**BOLD digit indicates finish color: 1= Chrome, 4= Brushed Nickel, 9 = Satin Black**

# Installation steps

**1.** Measure the finished opening width at the bottom and at the model height. Use these dimensions as "**W1**" (**top**) and "**W2**" (**bottom**) in **Step #2**. Also check the threshold for level and the walls for plumb. (**Fig 1**)

**NOTE:** This model will only accommodate up to 1/4" for out-of-plumb conditions.

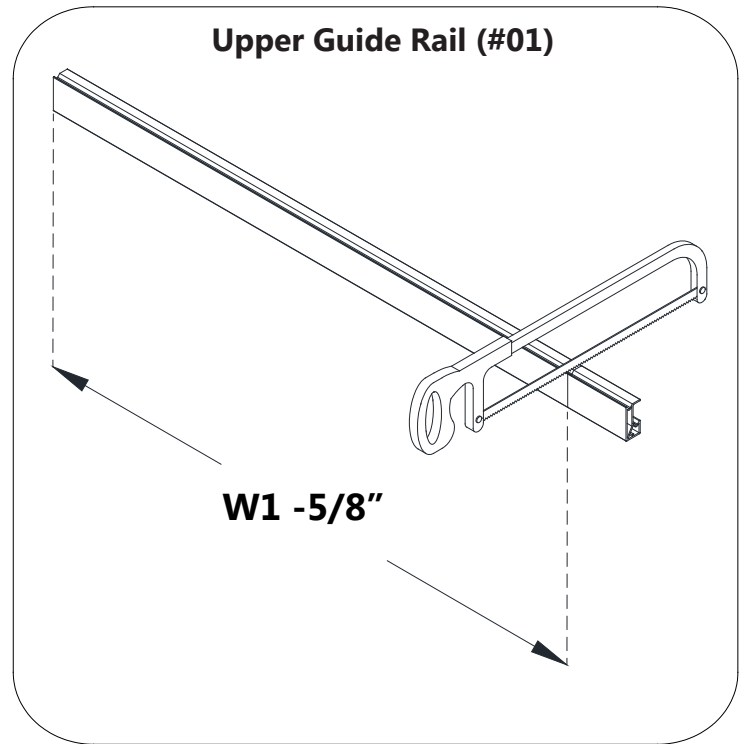




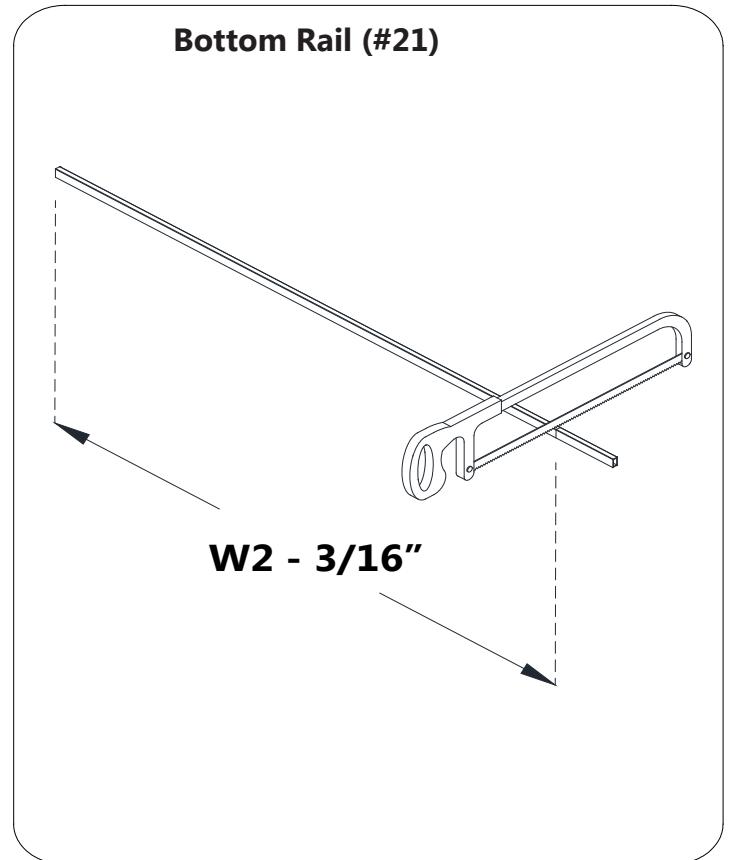
**2.** Cut the **Upper Guide Rail (#01)** and the **Bottom Rail (#21)** to fit your finished opening using either a miter saw or a hacksaw and miter box:

Cut the **Upper Guide Rail (#01)** to:  
"W1" (top) dimension - 5/8" (Fig 2a)

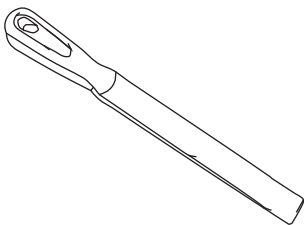
Cut the **Bottom Rail (#21)** to:  
"W2" (bottom) dimension - 3/16" (Fig 2b)



**Fig 2a**



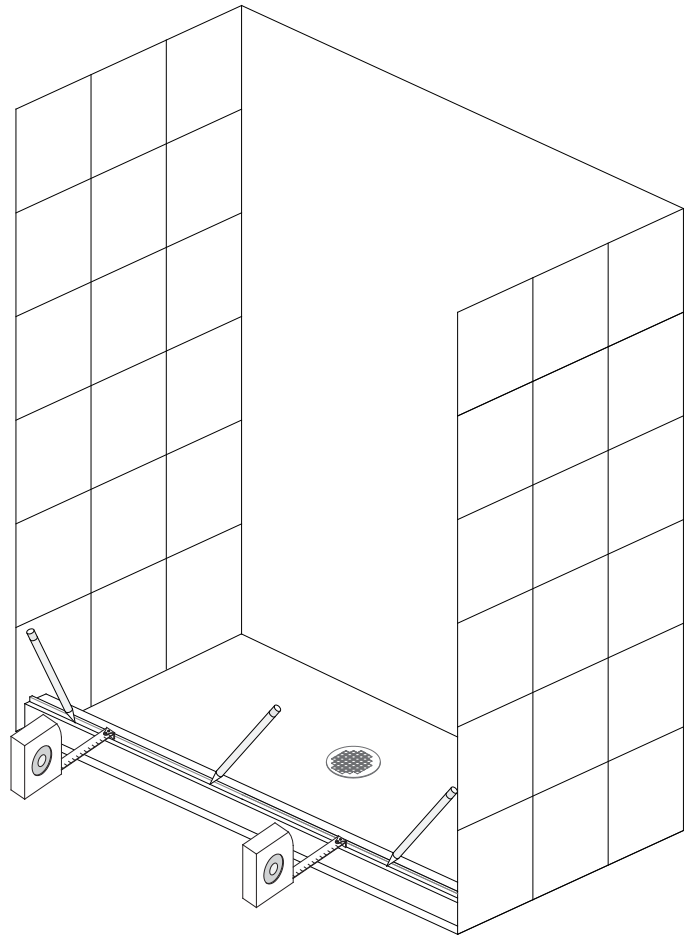
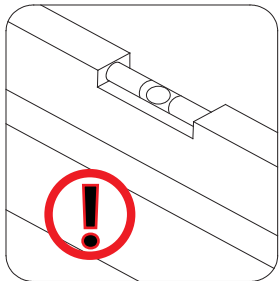
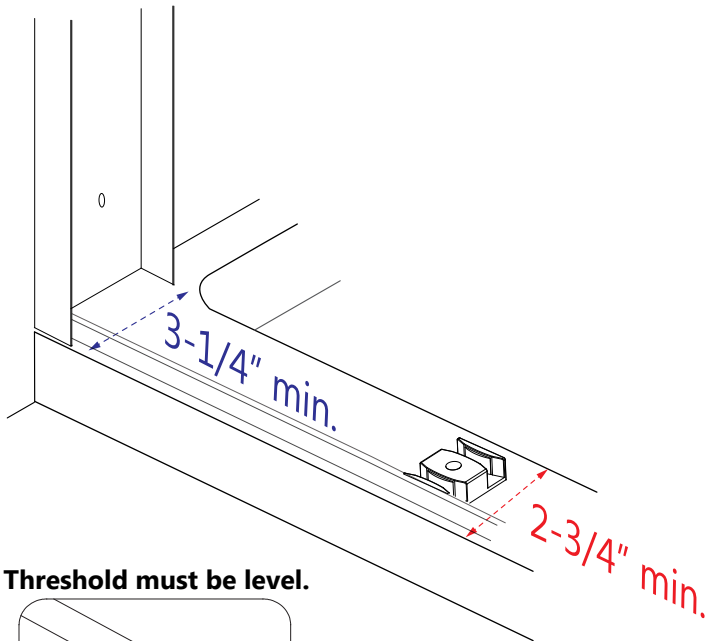
**Fig 2b**



**Tip:** Use a metal file to remove any burrs from the cut ends of the rails.

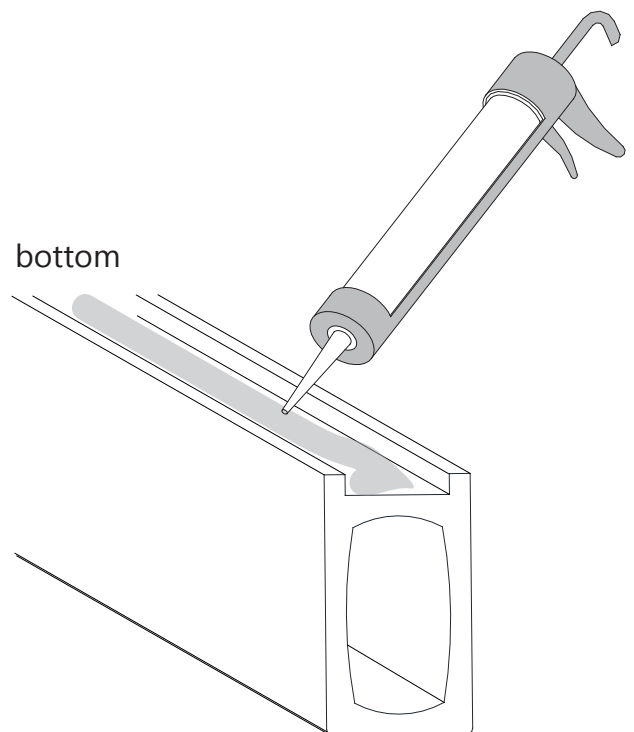
**3.** Set the **Bottom Rail (#08)** onto the threshold parallel with the outside edge and mark the position on the threshold. **(Fig 3)**

**NOTE:** This model requires a minimum 3-1/4" of flat threshold space for the wall profiles and 2-3/4" of flat threshold space for the center guide block.



**Fig 3**

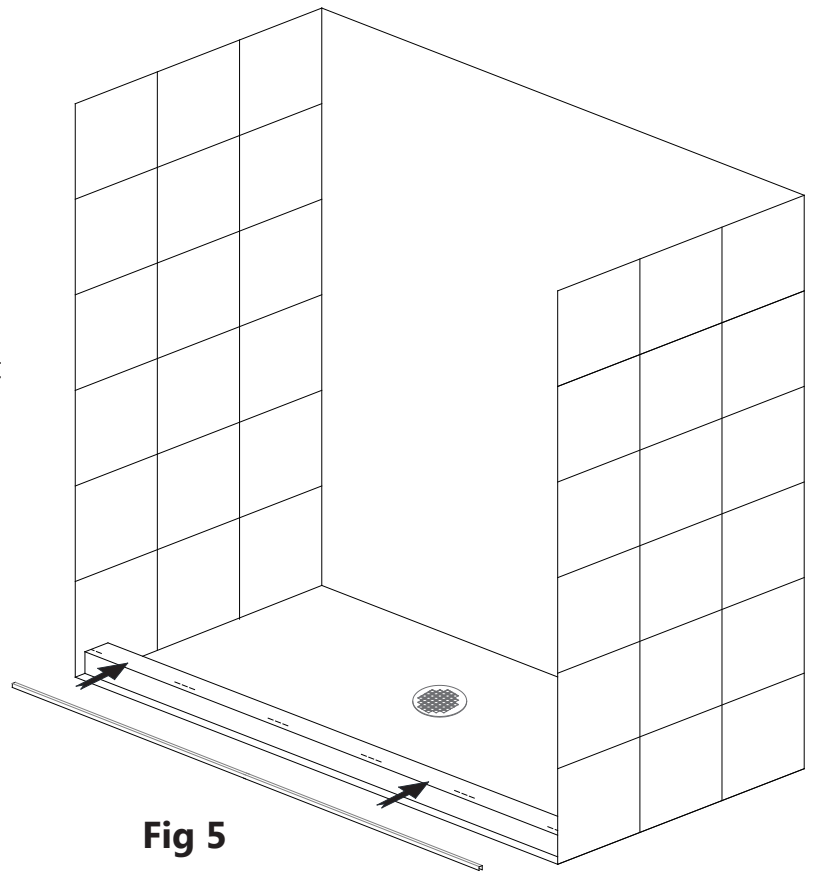
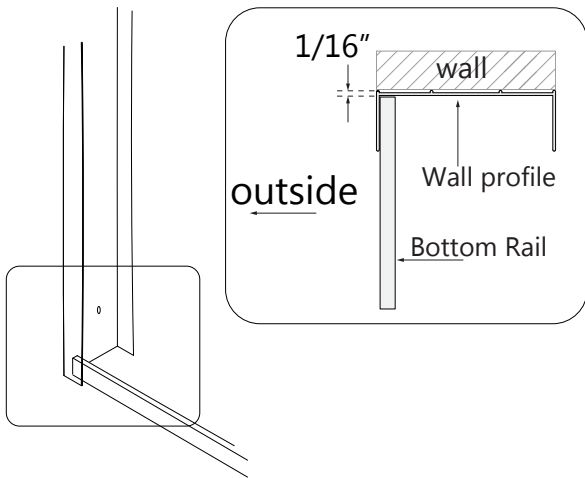
**4.** Apply silicone into the groove along the bottom surface of the **Bottom Rail (#21)**. **(Fig 4)**



**Fig 4**

**5.** Replace the **Bottom Rail (#21)** onto the **marked position** on the threshold. **(Fig 5)**

**TIP:** Use a **Wall Profile (#19)** as a spacer to offset the **Bottom Rail (#21)** 1/16" from each wall. The **Bottom Rail (#21)** should not make contact with the walls.

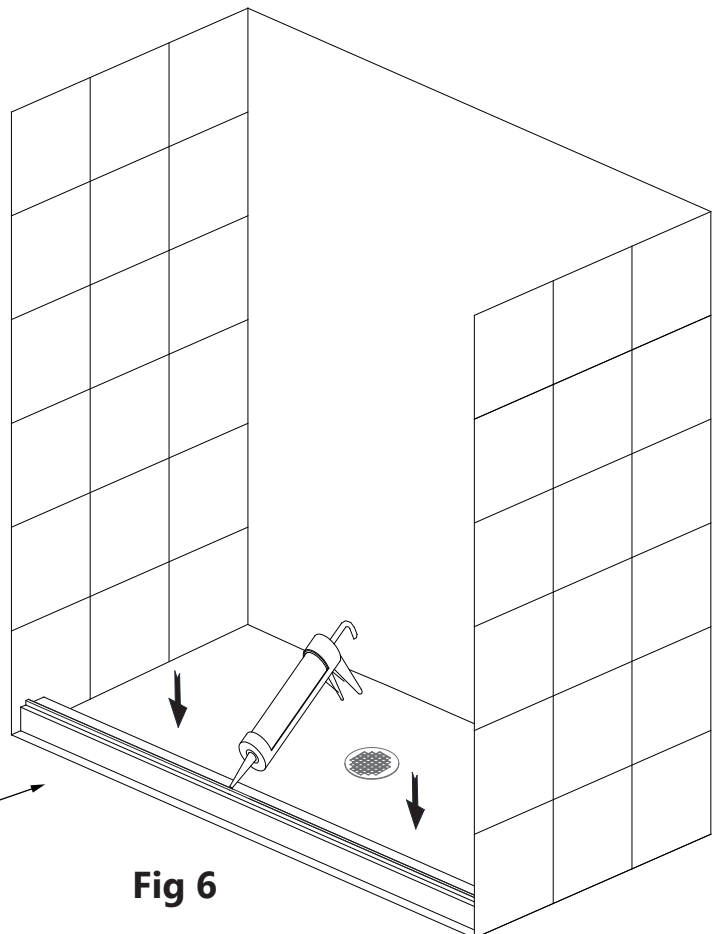


**Fig 5**

**6.** Run a bead of silicone along the inside edge of the **Bottom Rail (#21)**. **(Fig 6)**

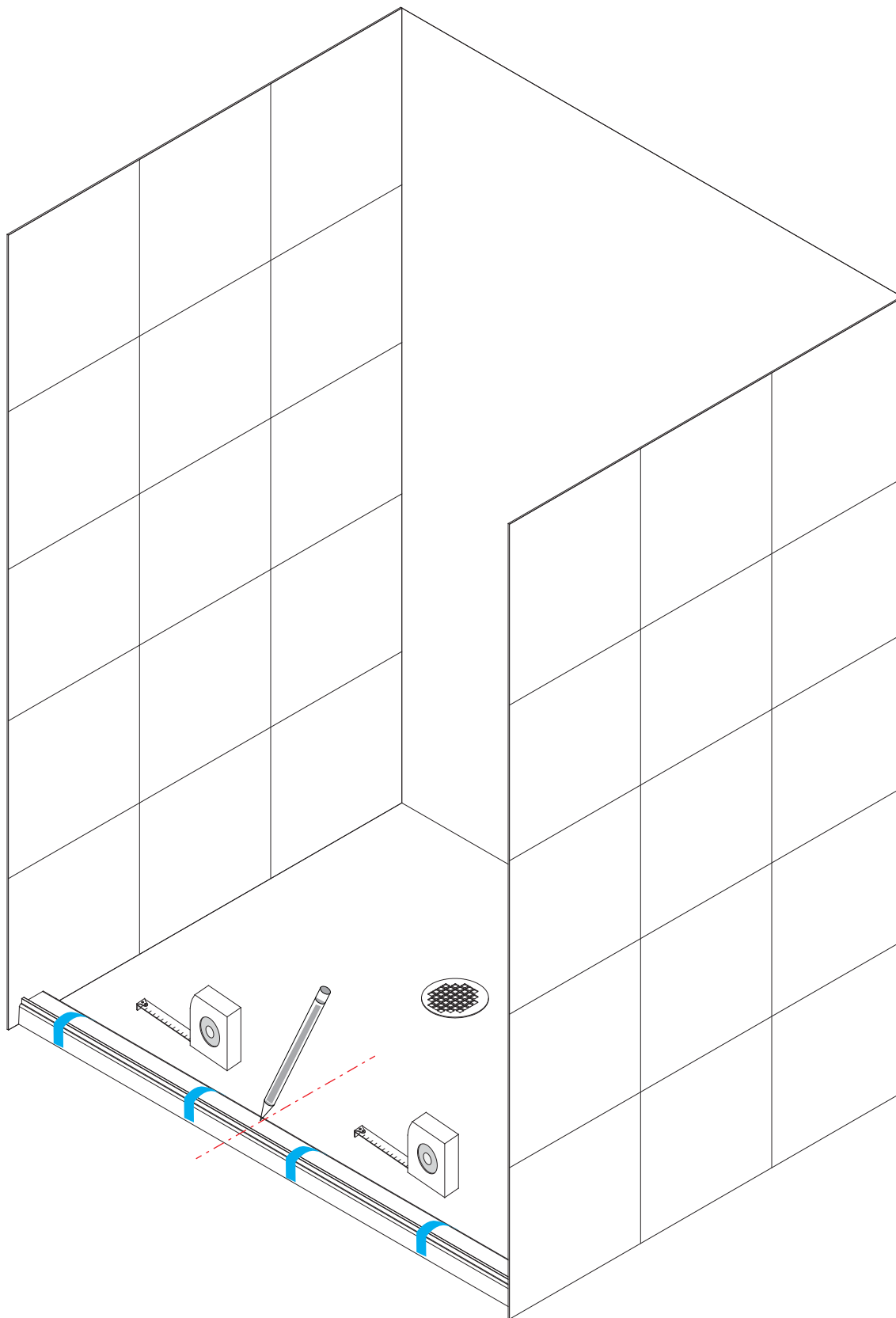


Use several strips of Painter's Tape to hold the bottom rail in position while the silicone cures.



**Fig 6**

**7.** Measure across the width of the threshold to locate and mark the center. **(Fig 7)**

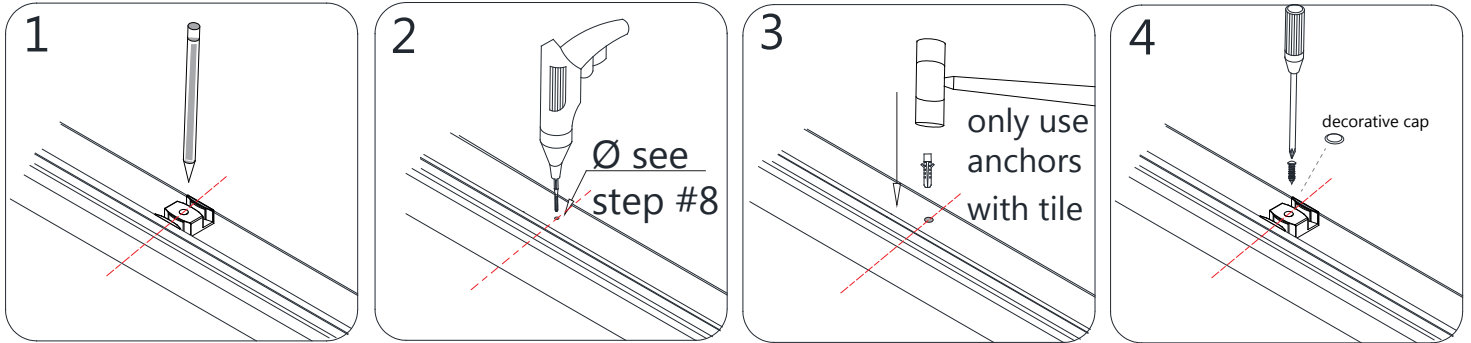


**Fig 7**

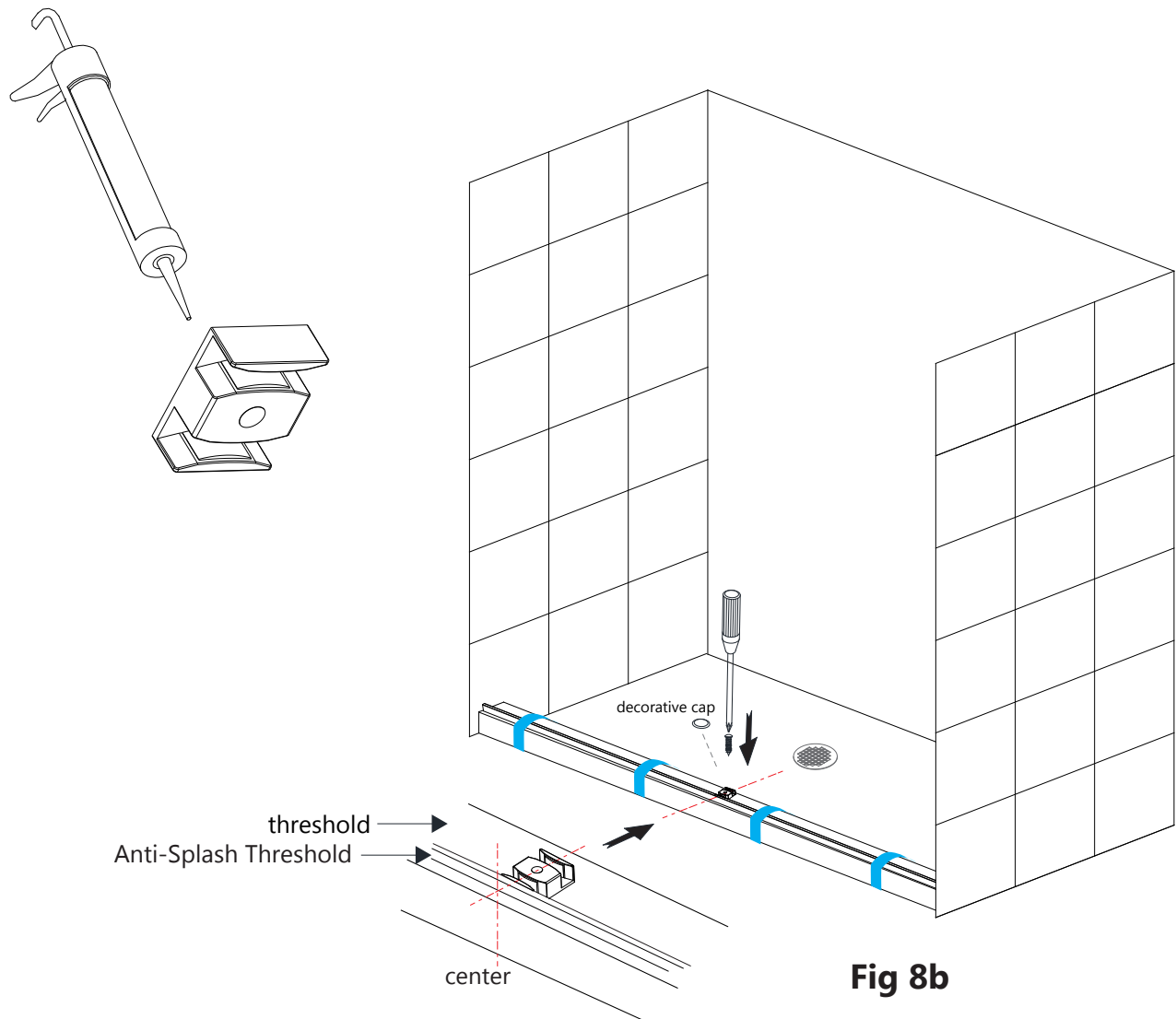
**8.** Place the **Guide Block (#22)** onto the threshold, against the **Bottom Rail (#21)** and align the hole with the centerline mark from the previous step. Mark the hole for drilling.

- For installation into a tile threshold, drill a **Ø5/16" (8mm)** hole and insert the **Wall Anchor (#18)**
- For installation into an acrylic threshold, drill an **Ø1/8" (3mm)** hole and **do not** use an anchor

Apply silicone to the bottom of the **Guide Block (#22)** and attach it to the threshold using an **ST4.2 x 20 Round Head Screw (#24)**. Cover with the decorative cap. (**Fig 8a** and **Fig 8b**)

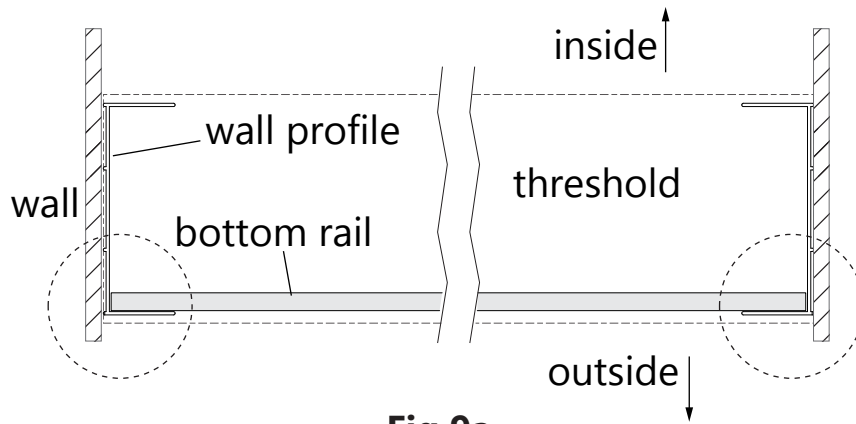


**Fig 8a**

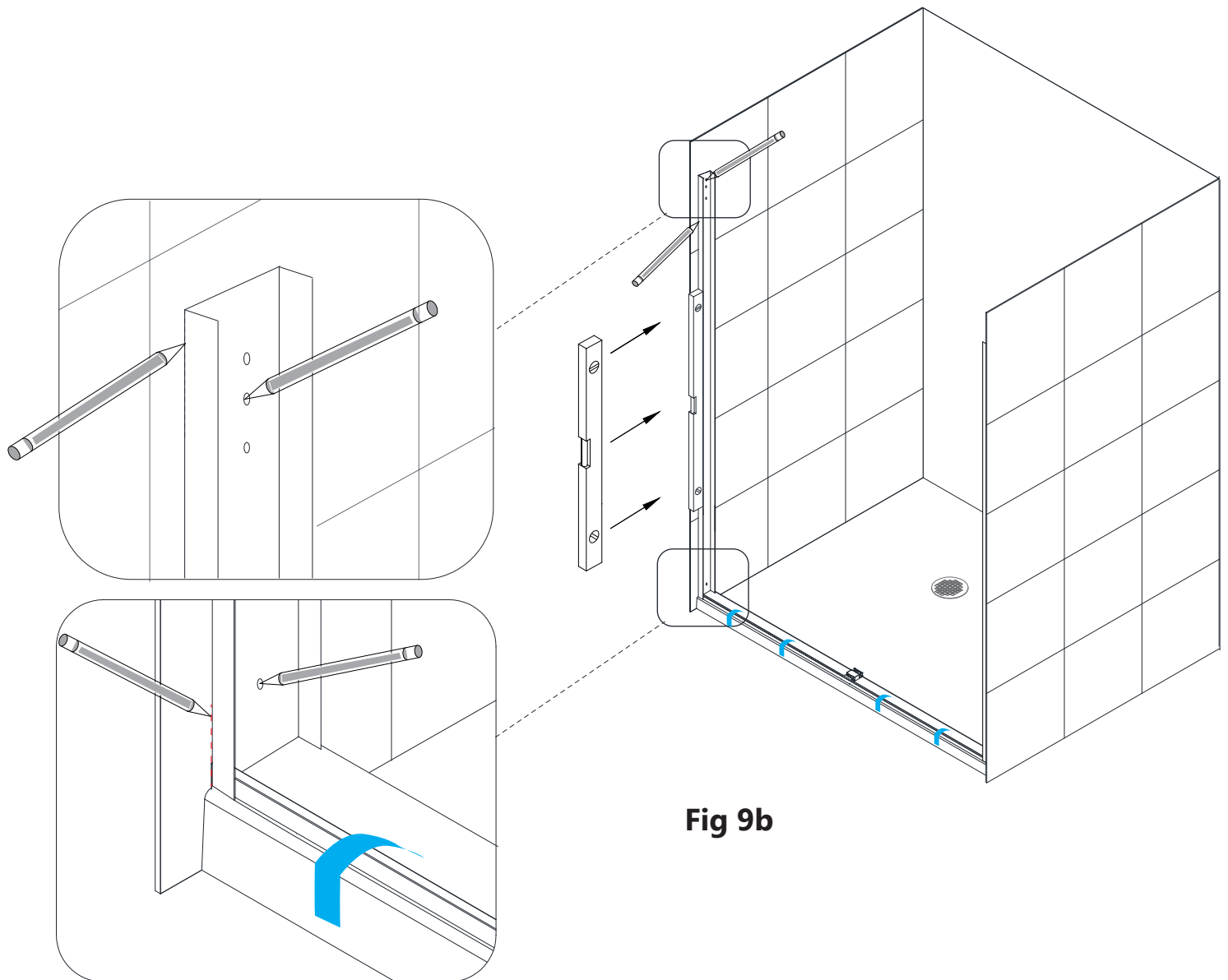


**9.** Position one of the **Wall Profiles (#19)** on the wall, over the outside edge of the **Bottom Rail (#21)** (see overhead Fig 10).

Check for plumb with a level and mark the position of the **Wall Profile (#19)** and the holes for drilling on the wall. (Fig 9a and Fig 9b)

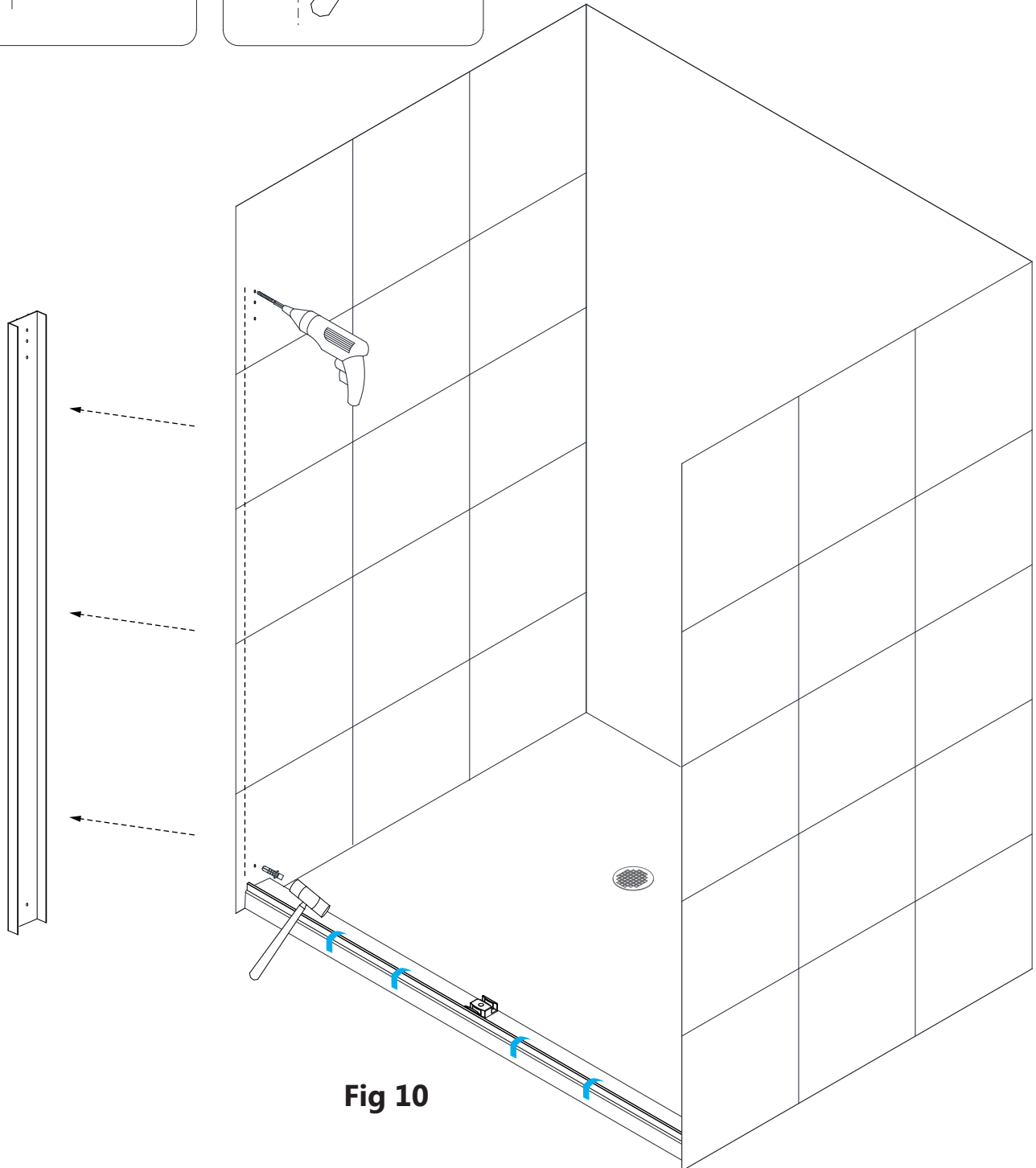
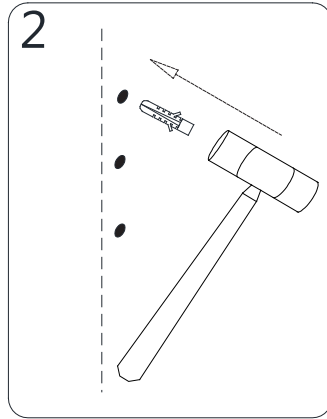
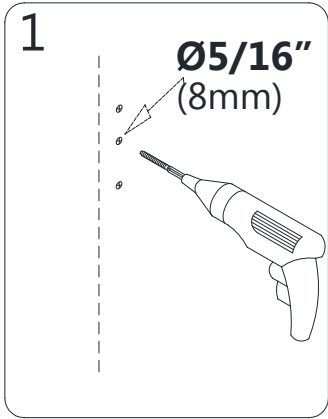


**Fig 9a**



**Fig 9b**

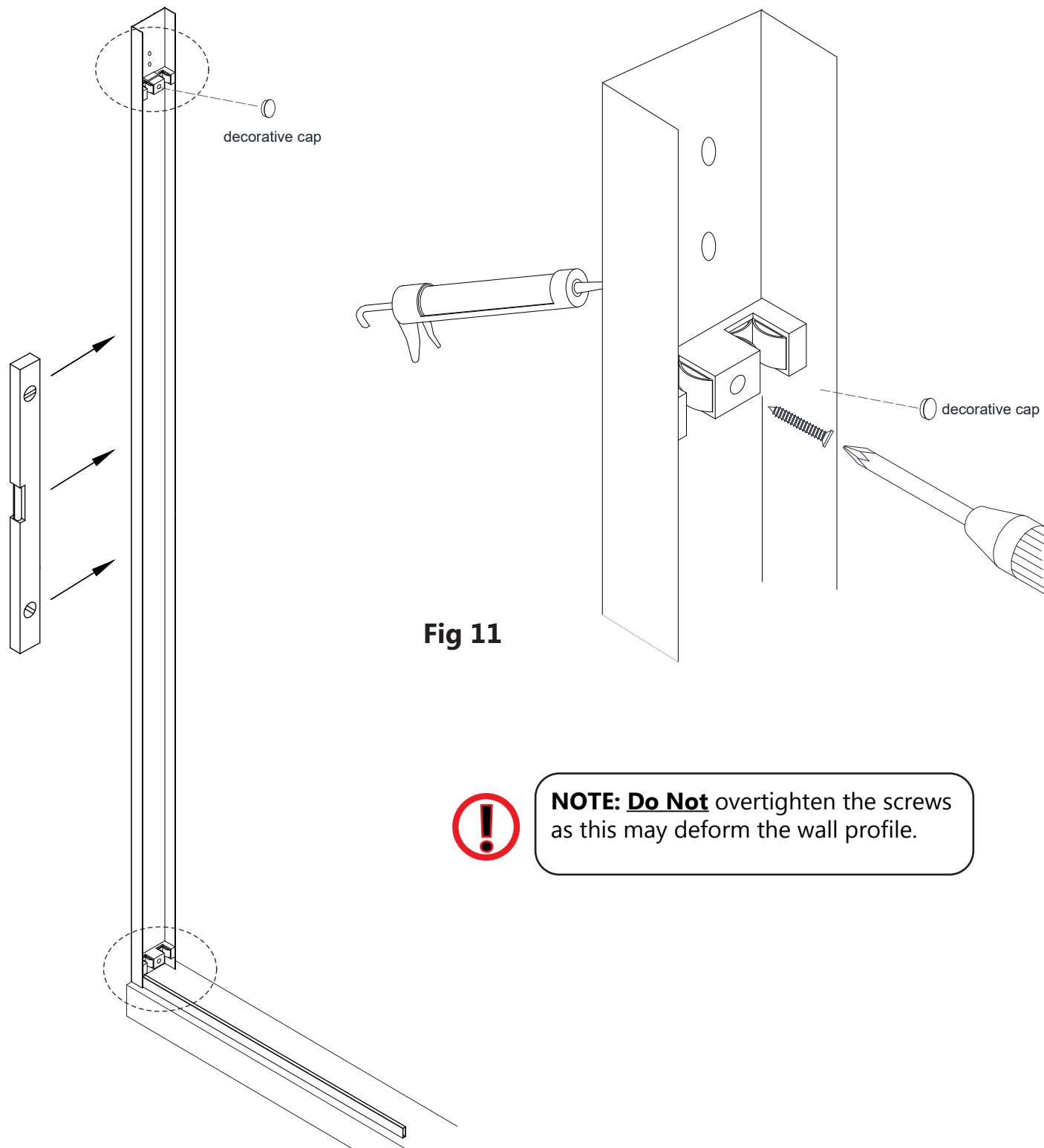
**10.** Using the marks from the previous step, drill the holes using a **Ø5/16"** drill bit and insert the **Wall Anchors (#18)**. (**Fig 10**)



**Fig 10**

**11.** Apply silicone to the back surface of the **Wall Profile (#19)** and place it back in position on the wall.

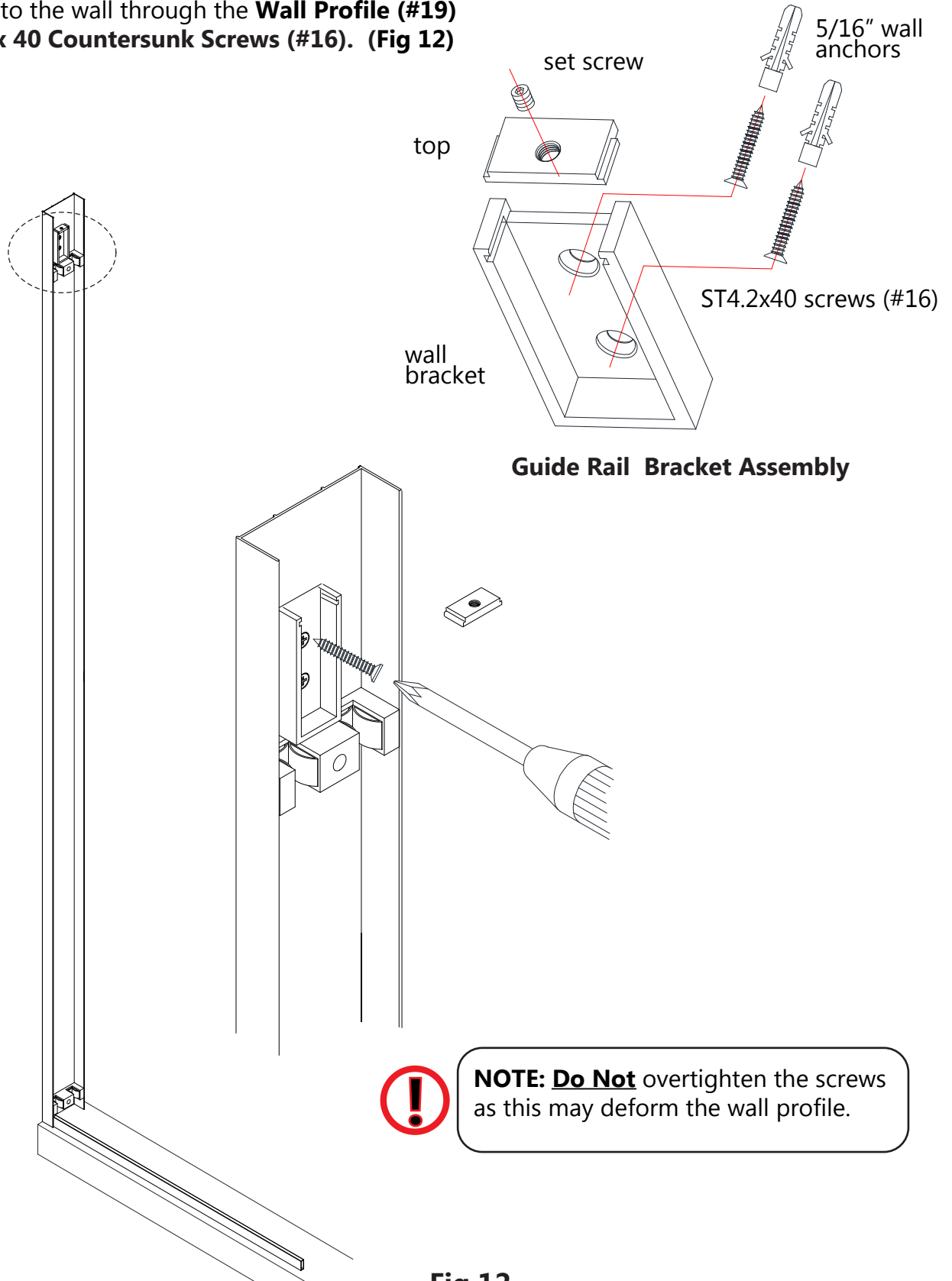
Align the **SafeClose™ Bumper (#20)** with the correct holes and attach them to the wall through the **Wall Profile (#19)** using the **ST4.2 x 40 Round Head Screws (#23)**. Cover the screw holes with the supplied decorative caps. **(Fig 11)**



**NOTE: Do Not** overtighten the screws as this may deform the wall profile.

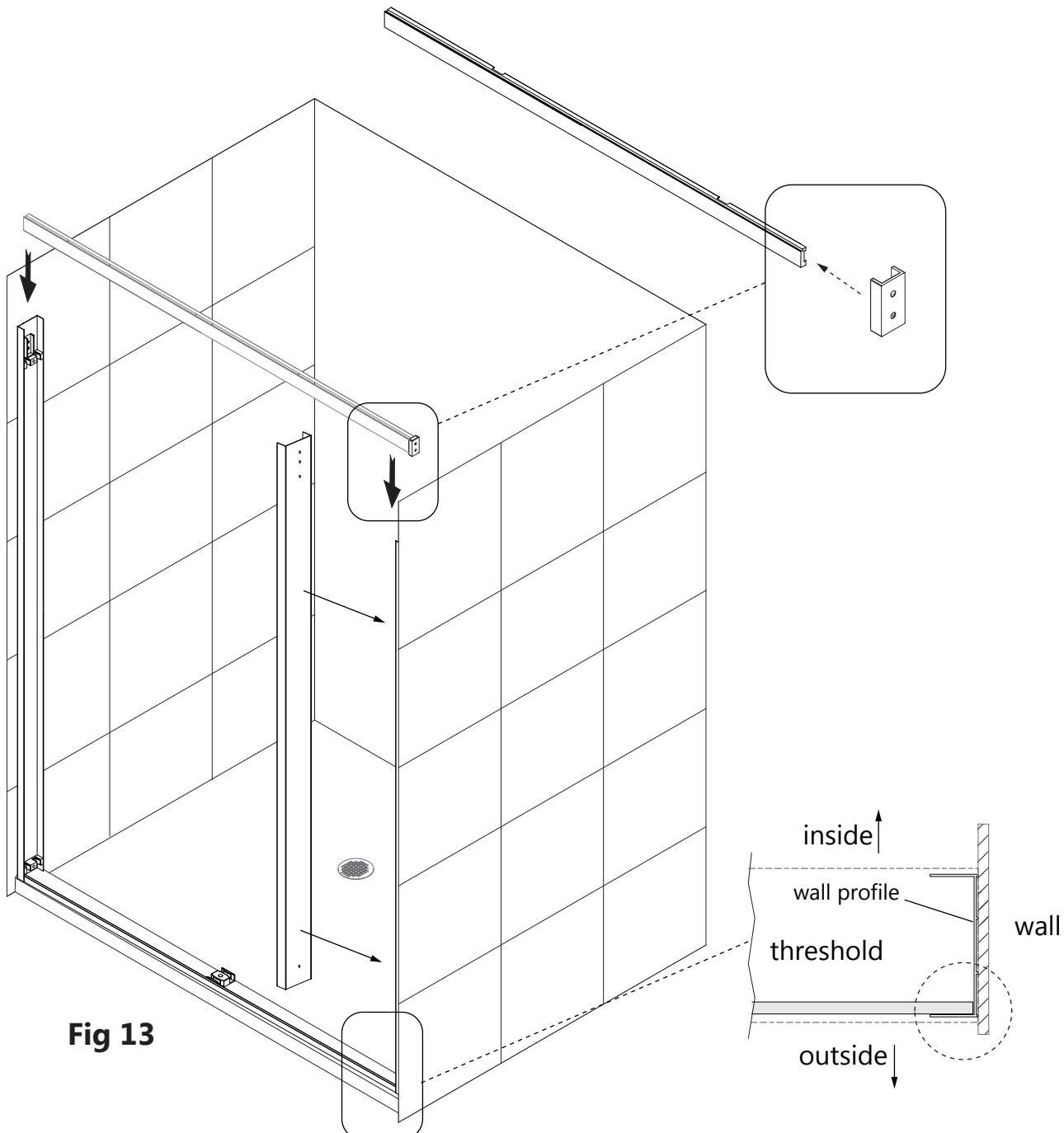
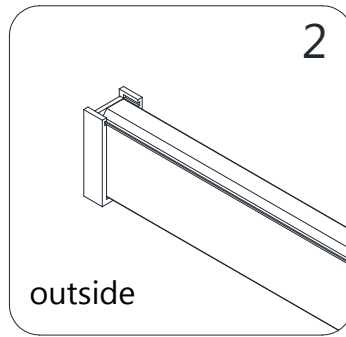
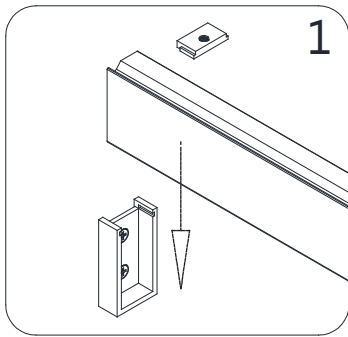


**12.** Remove the top of the **Guide Rail Bracket Assembly (#02)**. Align the **Guide Rail Bracket Assembly (#02)** with the top two holes in the **Wall Profile (#19)**. Attach the **Guide Rail Bracket Assembly (#02)** to the wall through the **Wall Profile (#19)** using the **ST4.2 x 40 Countersunk Screws (#16)**. (Fig 12)



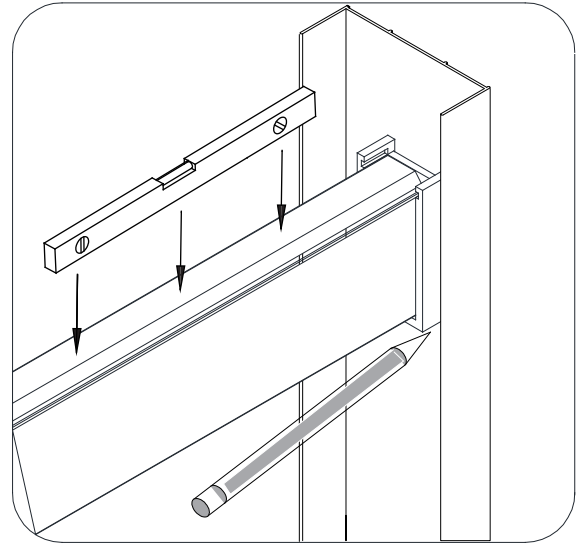
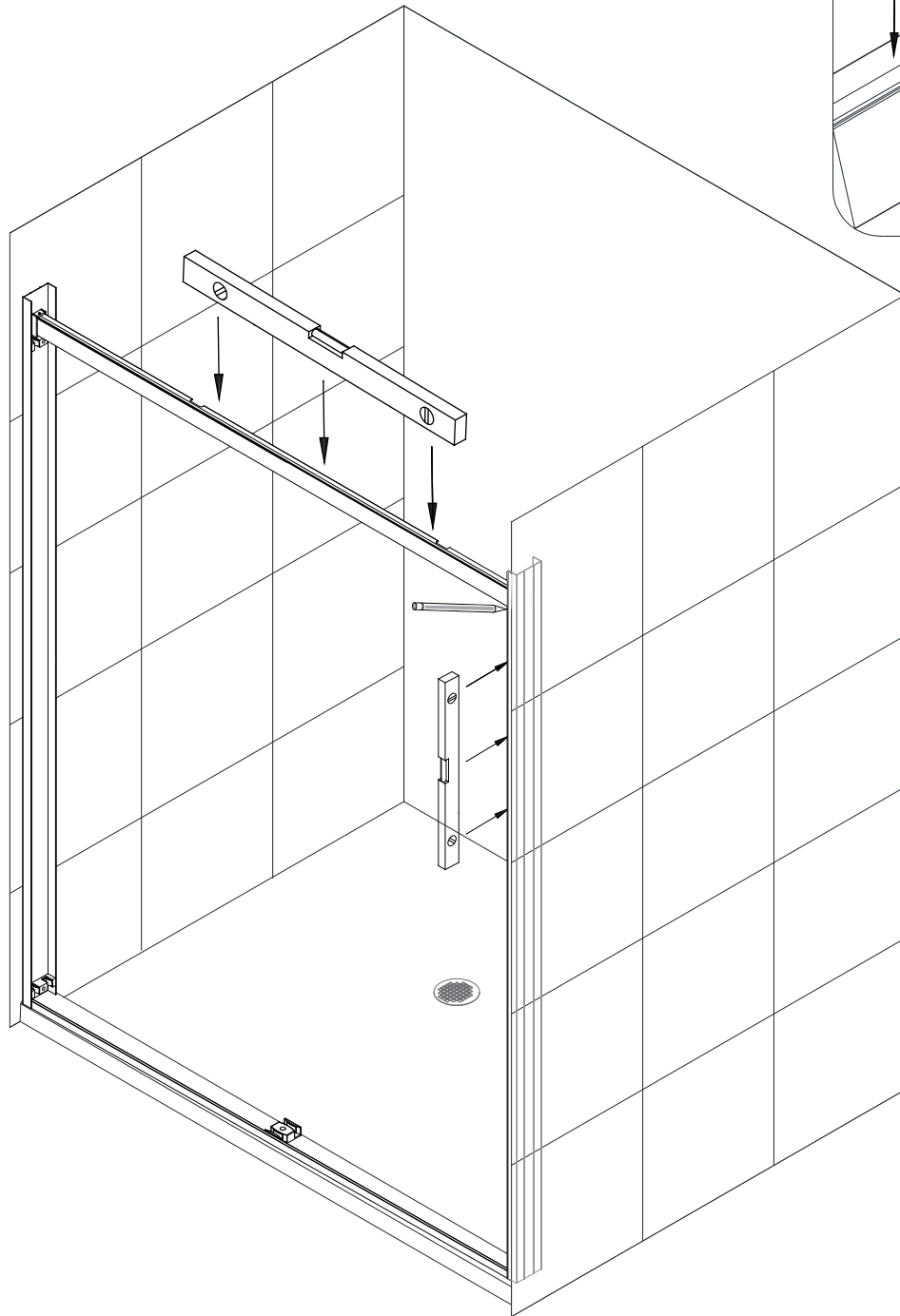
**Fig 12**

**13.** Attach the remaining **Guide Rail Bracket Assembly (#02)** onto the opposite end of the **Upper Guide Rail (#01)**. Place the **Upper Guide Rail (#01)** into the installed **Guide Rail Bracket Assembly (#02)**, and position the remaining **Wall Profile (#19)** on the opposite wall. (**Fig 13**)



**Fig 13**

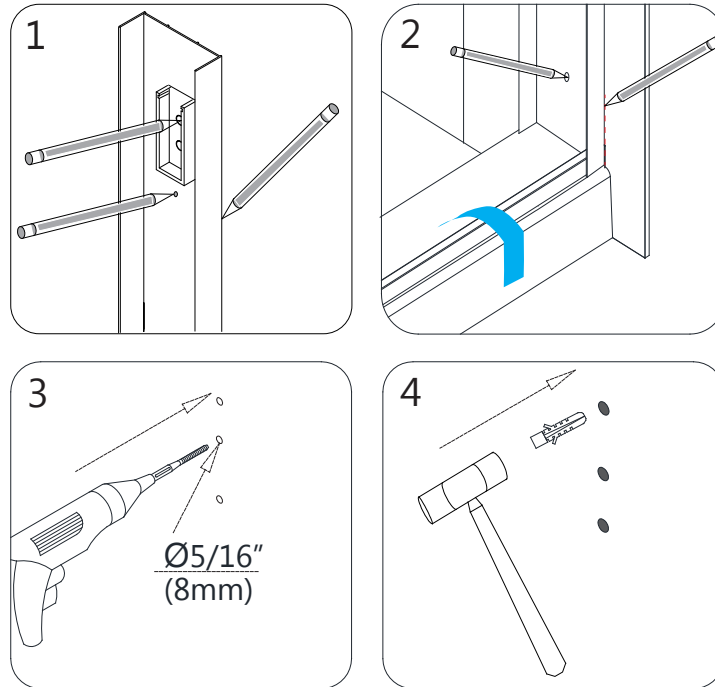
**14.** Place a level on top of the **Upper Guide Rail (#01)**. When the **Upper Guide Rail (#01)** is level, mark the position of the **Guide Rail Bracket Assembly (#02)** on the **Wall Profile (#19)**. (**Fig 14**)



**Fig 14**

**15.** Remove the **Upper Guide Rail (#01)**. Remove the **Guide Rail Bracket Assembly (#02)** from the end of the **Upper Guide Rail (#01)** and hold it in position on the **Wall Profile (#19)** at the mark from the previous step.

Mark the center of the holes on the wall for drilling through the elongated holes in the wall profile. Also mark the holes on the wall for the two **SafeClose™ Bumper (#20)** through the holes in the **Wall Profile (#19)**. Drill the holes using a **Ø5/16" (8mm)** drill bit and insert the **Wall Anchors (#18)**. **(Fig 15)**



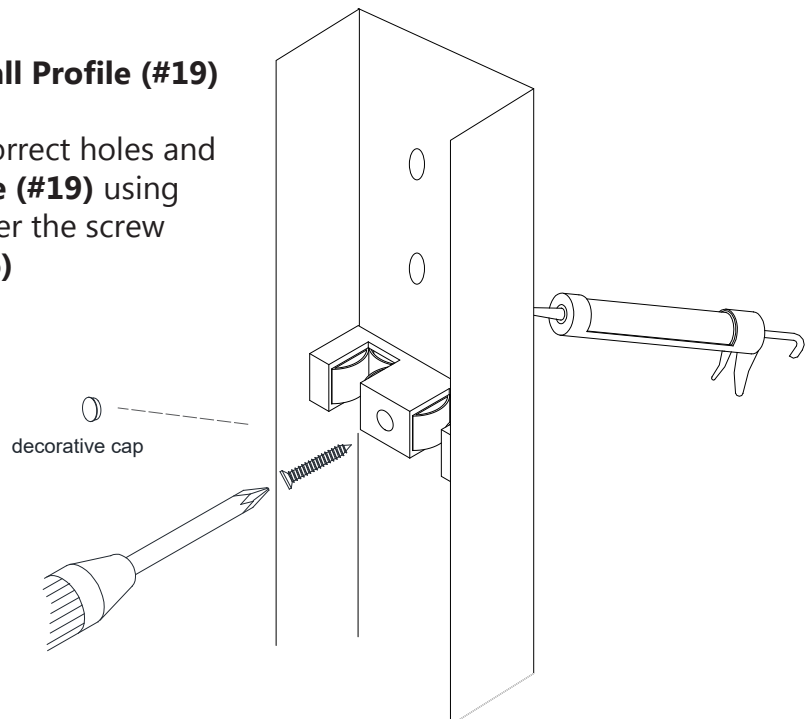
**Fig 15**

**16.** Apply silicone to the back surface of the **Wall Profile (#19)** and place it back in position on the wall.

Align the **SafeClose™ Bumper (#20)** with the correct holes and attach them to the wall through the **Wall Profile (#19)** using the **ST4.2 x 40 Round Head Screws (#23)**. Cover the screw holes with the supplied decorative caps. **(Fig 16)**

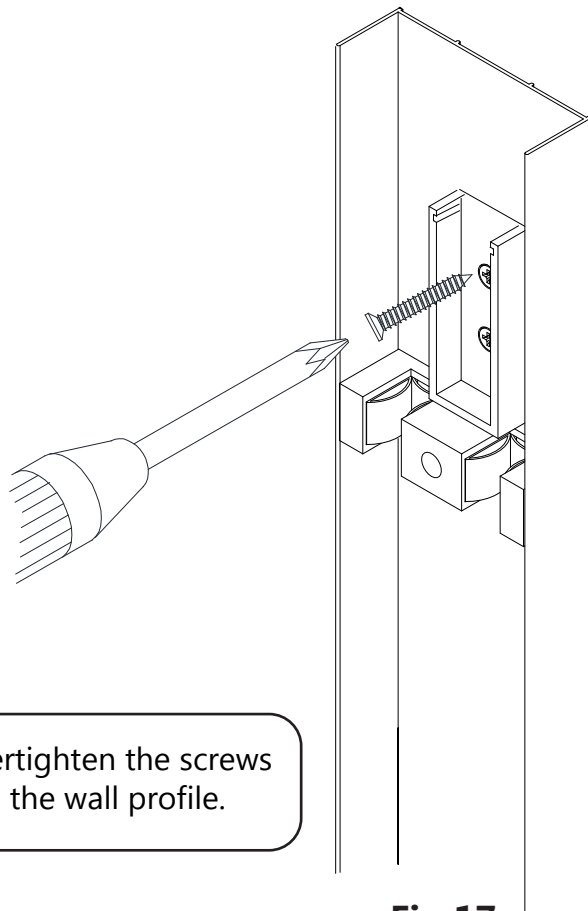


**NOTE: Do Not** overtighten the screws as this may deform the wall profile and/or the **SafeClose™ Bumper (#20)**.



**Fig 16**

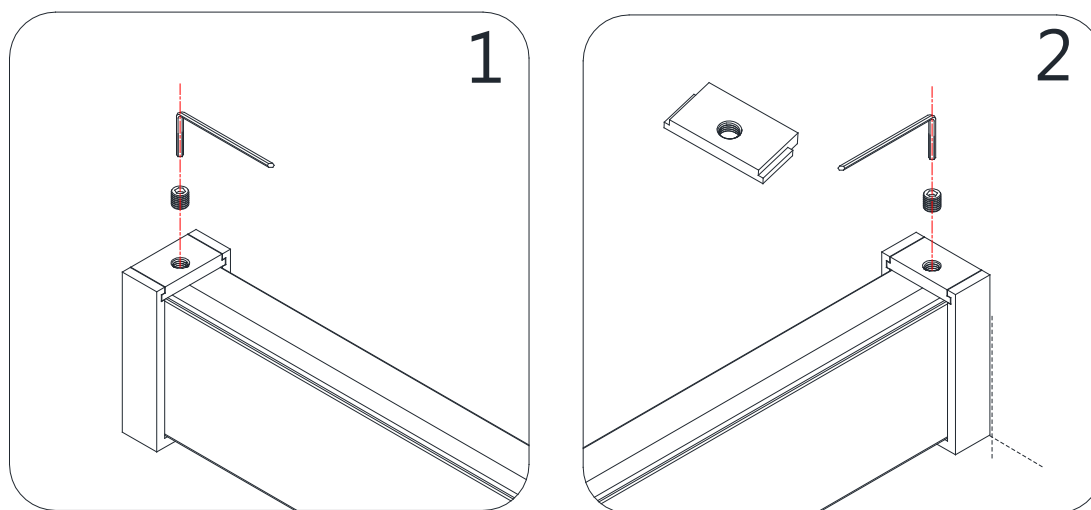
**17.** Install the **Guide Rail Bracket Assembly (#02)** onto the wall profile and into the wall. **(Fig 17)**



**NOTE: Do Not** overtighten the screws as this may deform the wall profile.

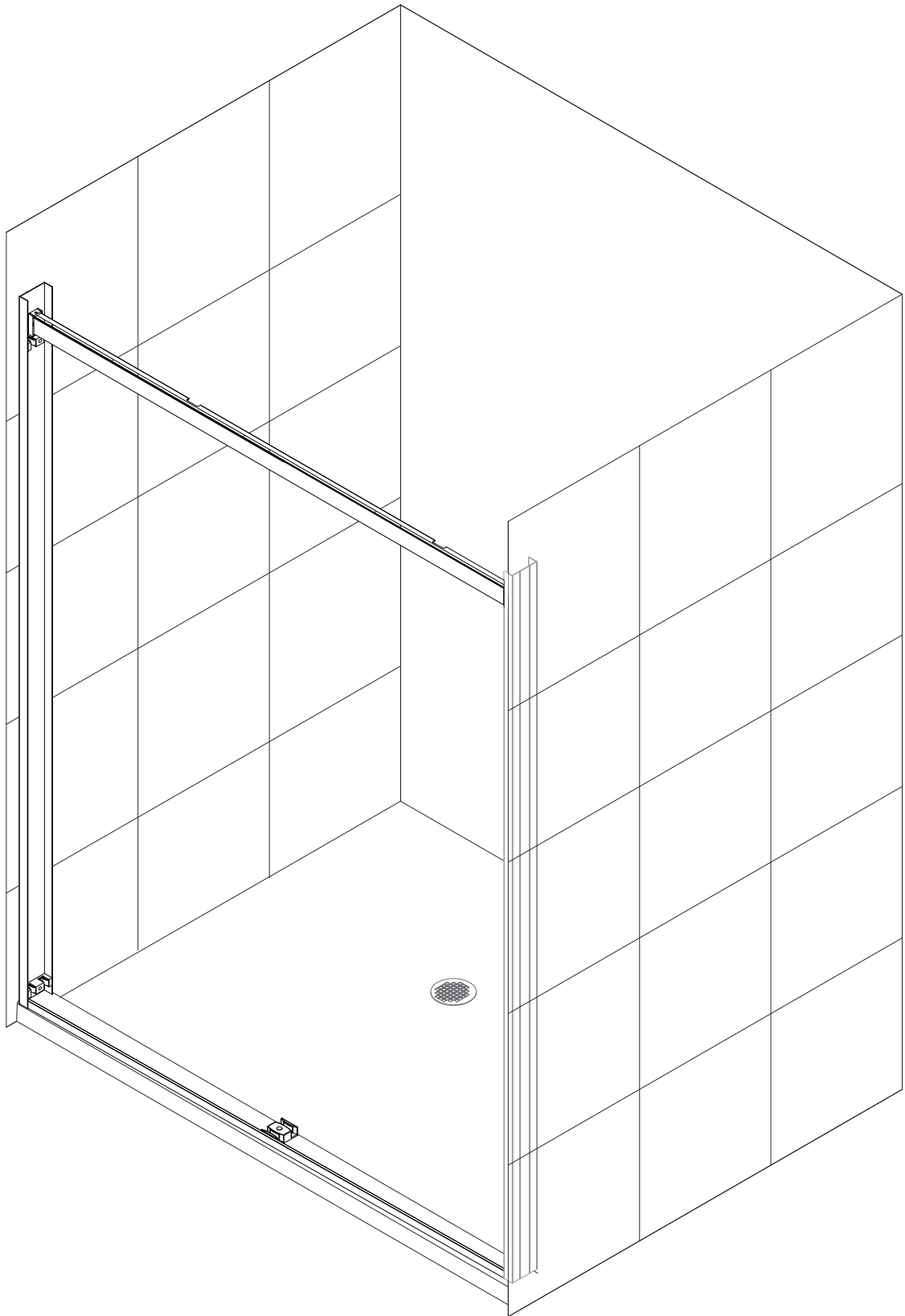
**Fig 17**

**18.** Slide the **Upper Guide Rail (#01)** into both **Guide Rail Bracket Assemblies (#02)**. Install both of the **Guide Rail Bracket Assembly (#02)** tops and secure with the **set screws**. **(Fig 18)**



**Fig 18**

**19.** Next, prepare the doors for installation. **(Fig 19)**



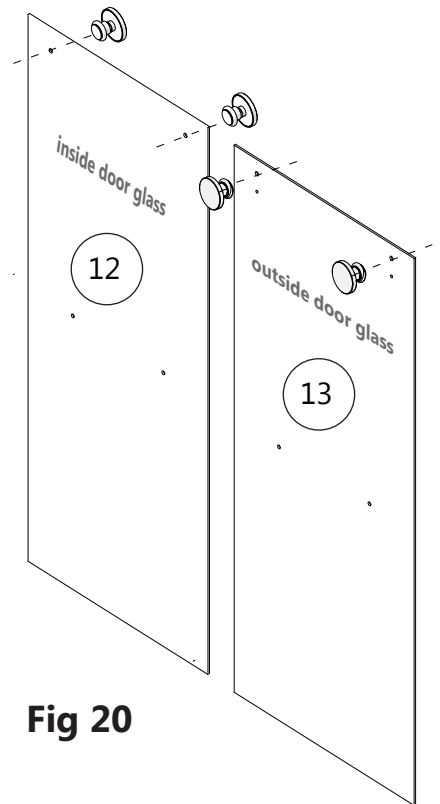
**Fig 19**

**20.** Remove the cap and screw from the **Rollers (#04)** and attach the **Rollers (#04)** to the **Inside Door Glass (#12)** and to the **Outside Door Glass (#13)**.

(Fig 20 and Fig 21)



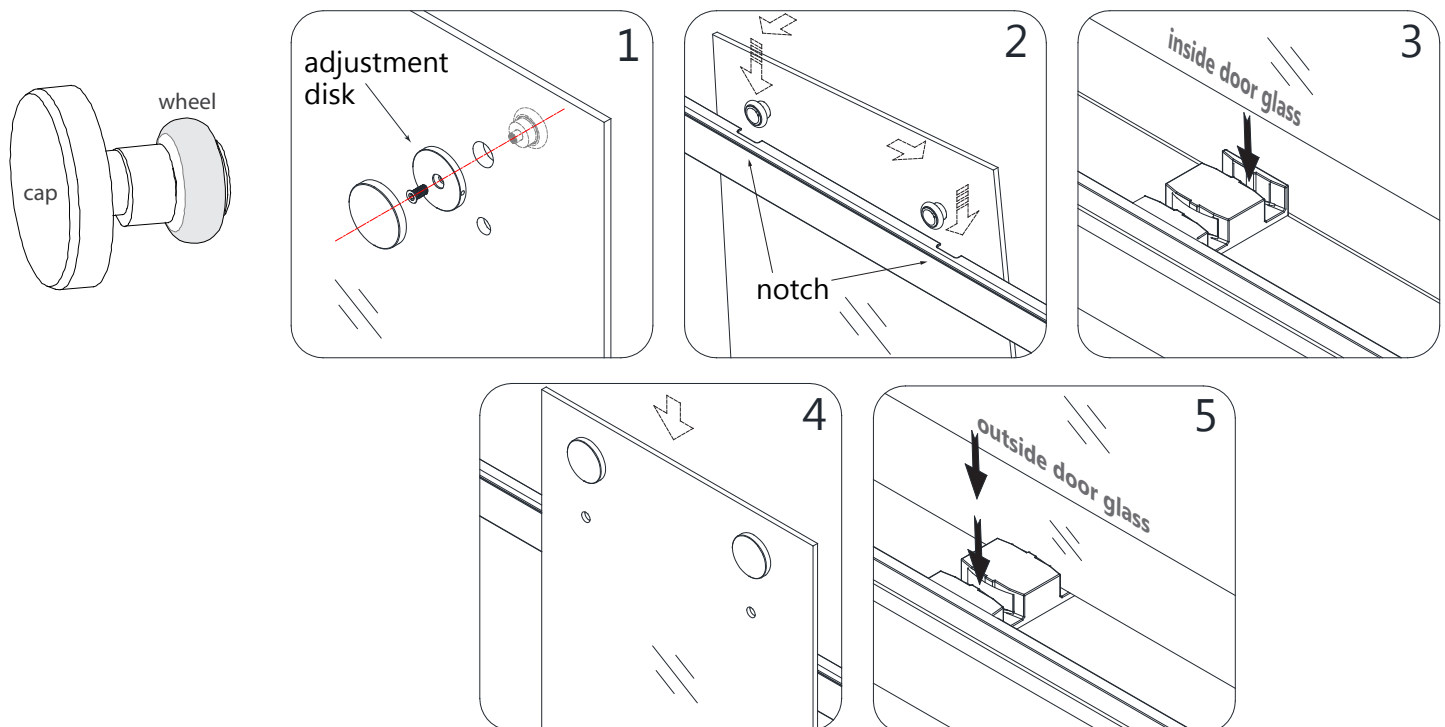
**NOTE: DO NOT** install the towel bars on the glass until instructed.  
**DO NOT** lift the glass using the towel bars. This could result in damage to the glass and/or serious personal injury. Always use an assistant or a professional grade glass suction cup when handling heavy glass.



**Fig 20**

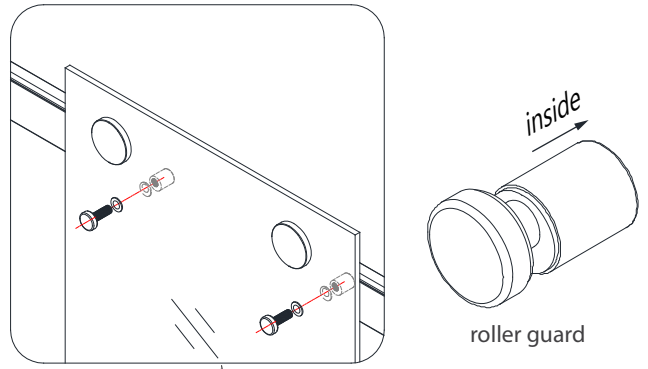
**21.** From inside the shower, hang the **Inside Door Glass (#12)** first. Insert one wheel into the notch in the top of the **Upper Guide Rail (#01)**. Slide the door over and insert the other roller wheel into the second notch (**Fig 21.2**) while also aligning the **Inside Door Glass (#12)** into the **Guide Block (#22)**. (**Fig 21.3**)

Next, from outside the shower, install the **Outside Door Glass (#13)** into the track on top of the **Upper Guide Rail (#01)** and into the **Guide Block (#22)**. (**Fig 21 and Fig 22**)

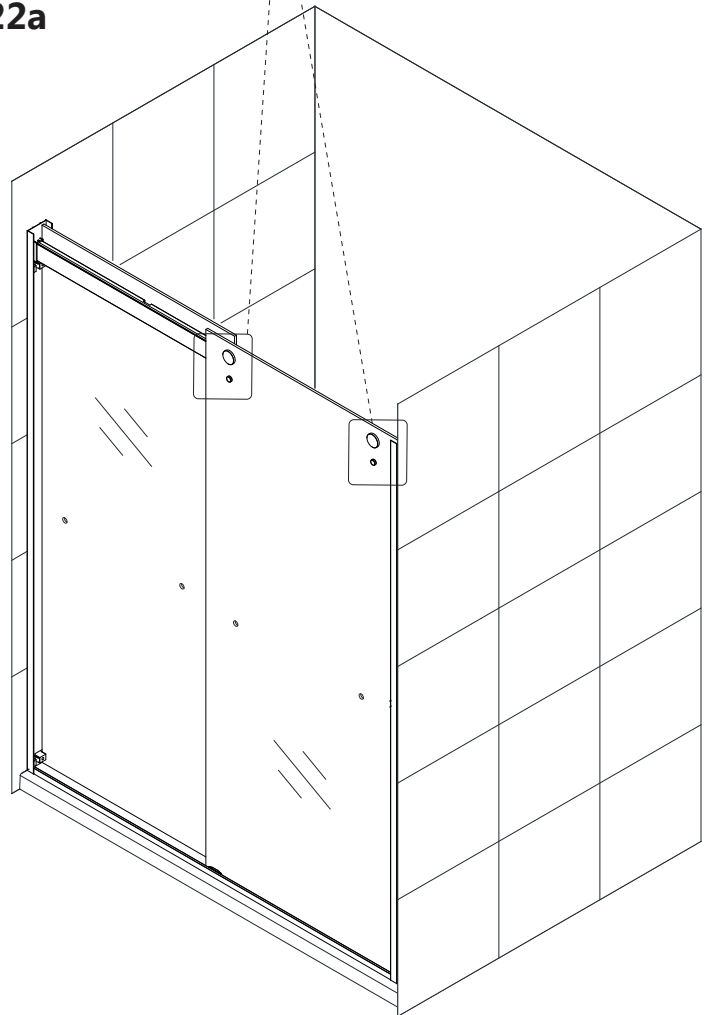
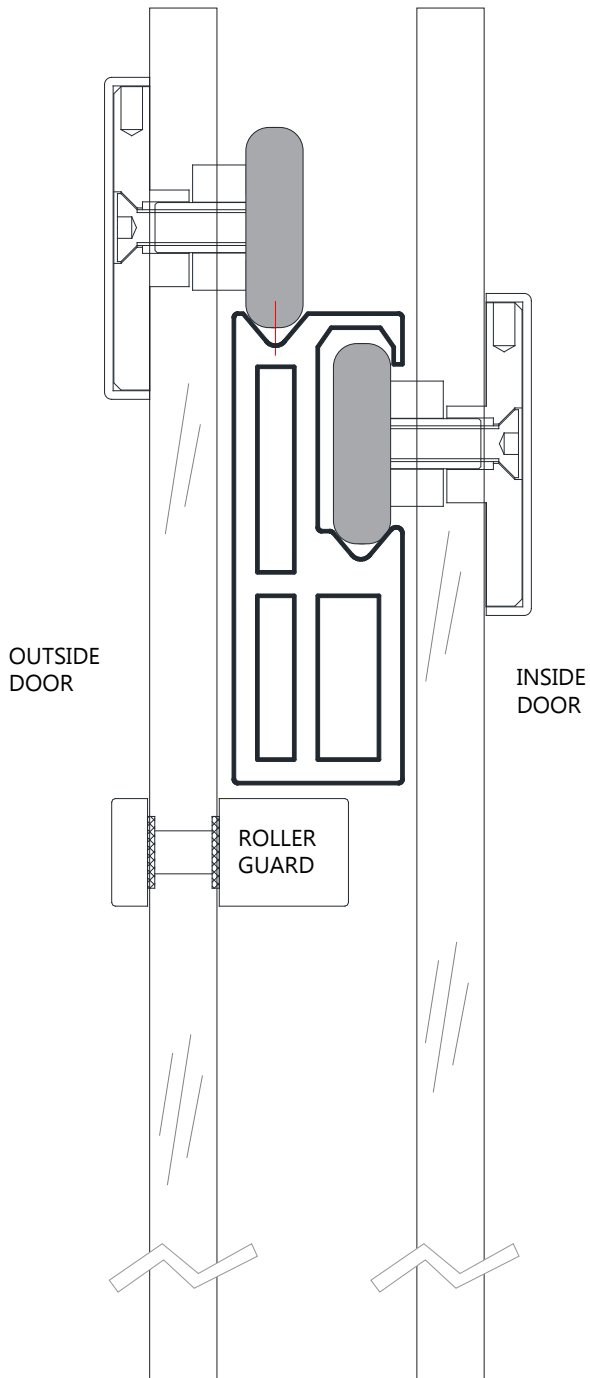


**Fig 21**

**22.** Attach the **Roller Guards (#03)** to the **Outside Door Glass (#13)** to prevent the door glass from being lifted off of the **Upper Guide Rail (#01)**. Adjust the **Roller Guards (#03)** to within 1/16" beneath the **Upper Guide Rail (#01)**. (**Fig 22a**)



**Fig 22a**



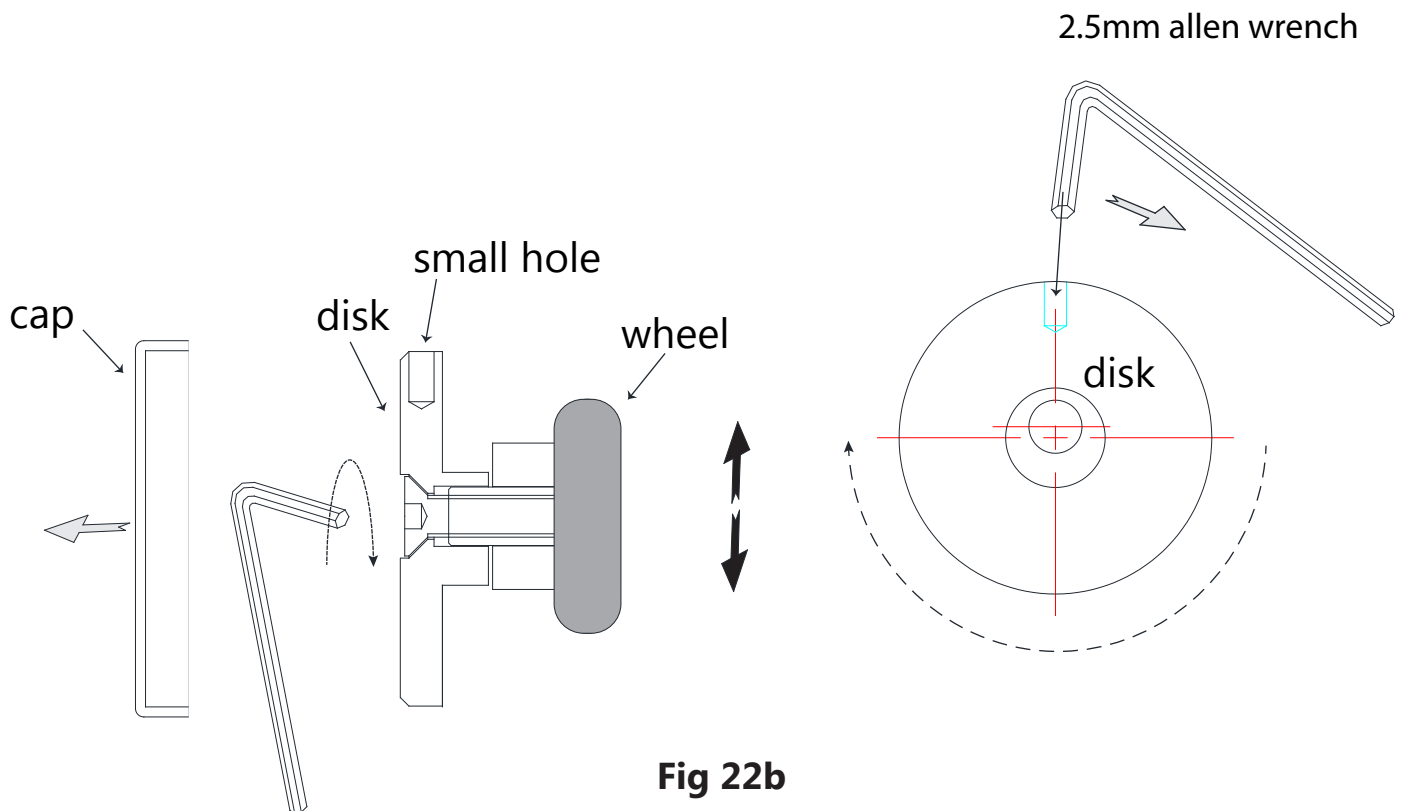
Drawing Not to Scale



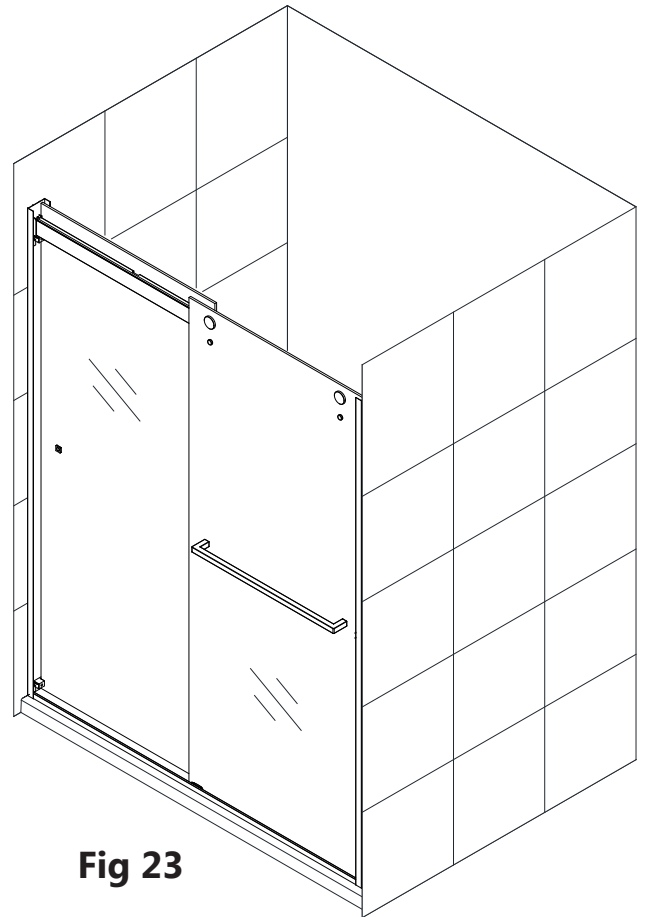
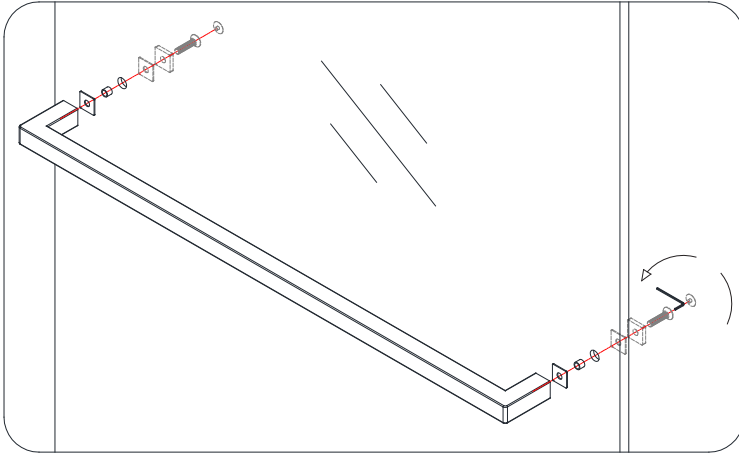
# Wheel Assembly Adjustment

**TIP:** The wheel assembly bushing that fits through the hole in the glass is elliptical. By rotating this disk, the door glass can be adjusted (tilted) slightly in order to make even contact with both the top and bottom wall bumpers.

- Use a shim beneath the door glass to prevent contact with the threshold during adjustments
- Temporarily adjust the roller guards for clearance
- Remove the cap from the wheel assembly and loosen the bolt
- Insert the small 2.5mm allen wrench or similar into the small hole in the edge of the adjustment disk to help rotate the disk (**see Fig 25**) and tilt the door glass into the desired position
- Hold the glass in position and re-tighten the bolt
- Test the operation of the door. Repeat on the other wheels as necessary
- Replace the Wheel assembly cap
- Re-adjust and fully tighten the **Roller Guards (#03)** to within 1/16" of the **Upper Guide Rail (#01)** (**Fig 22a and Fig 22b**)



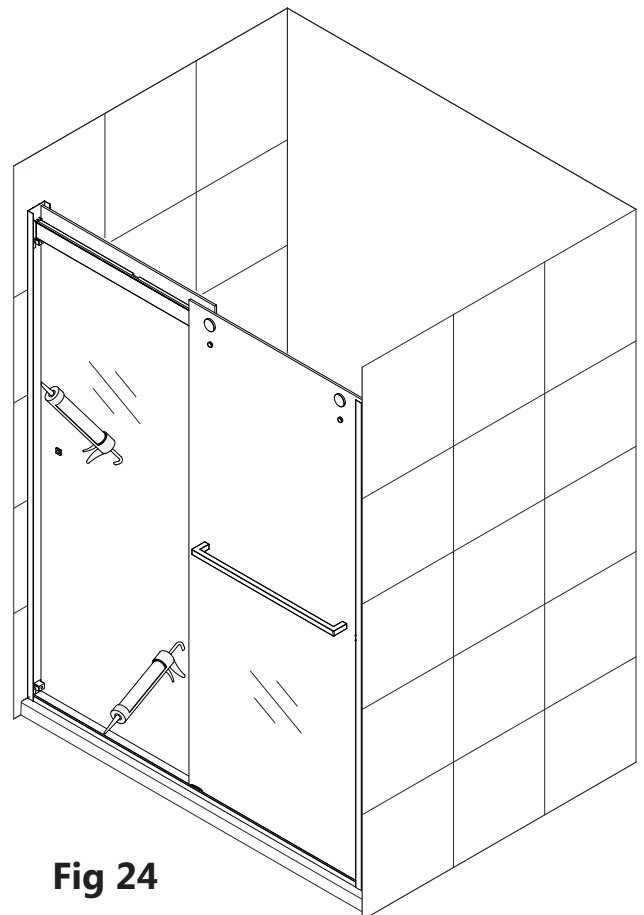
**23.** Attach the **Towel Bars (#05)** to the **Inside Door Glass (#12)** and to the **Outside Door Glass (#13)**. Be sure to use the supplied rubber gaskets to protect the glass. **(Fig 23)**



**Fig 23**

**24.** Apply a good quality mildew-resistant silicone along the bottom profile and wall profiles where they meet the walls and threshold . **(Fig 24)**

**Allow 24 hours for the silicone to fully cure before using the shower.**



**Fig 24**

## Product Maintenance

**BASES and BACKWALLS:** To ensure long-lasting life for your acrylic back walls, wipe them off after each use with a soft cloth. To clean the acrylic back walls use non-abrasive sprays or cream-based cleaners. Avoid the use of aerosol spray cleaners. Never use abrasive cleansers, metal brushes or scrapers that could scratch or dull the surface.

**GLASS:** To ensure long-lasting life for your glass shower products, wipe them off after each use with a soft cloth. Rinse and wipe off the glass using either a soft cloth or a squeegee to prevent soap buildup and water spots (Hard water can etch the surface of the glass over time if left to dry). To prevent scratching the surface: never use abrasive cleaners or cleaning products that contain scouring agents. Never use bristle brushes or abrasive sponges that may scratch the surface.

**HARDWARE:** To ensure a long-lasting finish, wipe off the metal parts after each use with a soft cloth. Do not use abrasive cleaners or cleaning products containing ammonia, bleach or acid. If accidentally used, rinse the surface as soon as possible to prevent damage to the finish (peeling or corrosion). After cleaning the polished finishes, rinse thoroughly and wipe dry with soft cloth. Clean stainless steel surfaces at least once a week. When applying stainless steel cleaner or polish to stainless steel hardware, work with (not across) the grain. Never use an abrasive sponge or cloth, steel wool or wired brush as these may permanently scratch the surfaces.

**NOTE: To maximize the life of your door, it is important to regularly inspect the glass and all hardware for misalignment, proper attachment, and/or damage. Contact DreamLine® with any questions or concerns.**

### **ESSENCE-H Maintenance checklist**

- Inspect the **Guide rail**
- Inspect the **Guide rail brackets**
- Inspect the **Guide block** - square to the threshold and glass
- Proper clearance** beneath the door glass between the threshold and within the guide blocks
- Door Glass** adjusted so that the glass makes even contact into the **SafeClose™ bumpers**
- Inspect the **Wheel assemblies**
- Inspect the **Roller guards** -positioned within 1/16" beneath the guide rail and tight
- Inspect the **Towel Bars** - tighten if loose
- Inspect the **SafeClose™ bumpers**
- Inspect the **edges of the door glass** for concealed damage
  - o **Damaged glass must be replaced!**



TEL: 866-731-2244  
FAX: 866-857-3638  
DREAMLINE.COM

For more information on DreamLine® Shower Doors and Enclosures please visit [DreamLine.com](http://DreamLine.com)