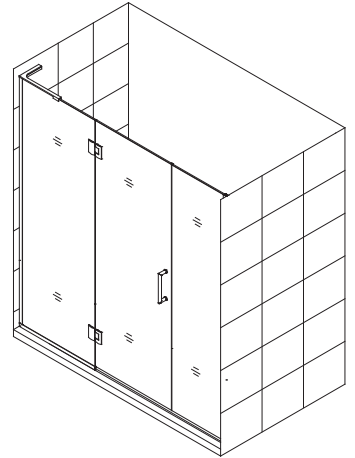
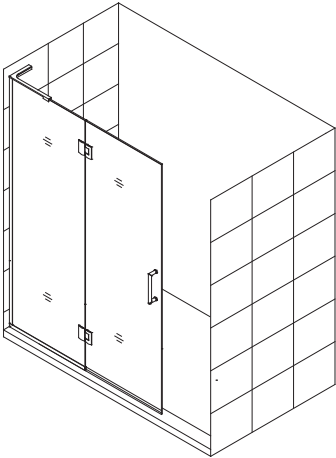
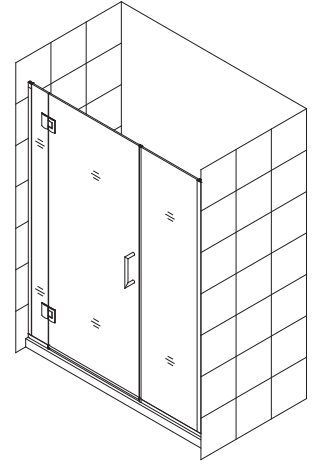
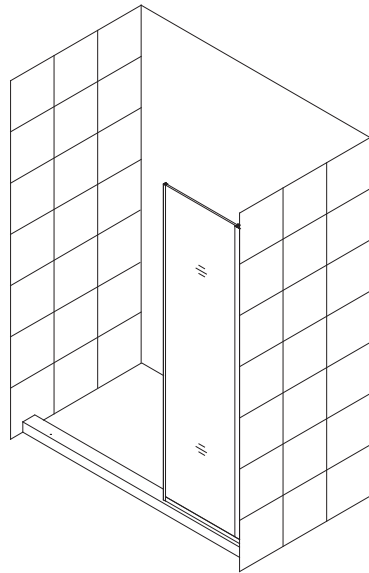
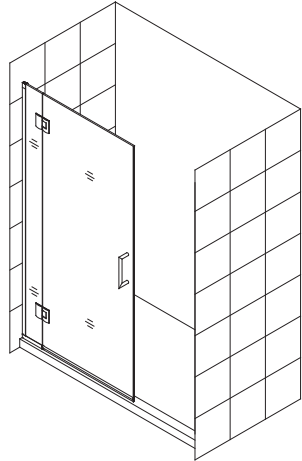


UNIDOOR-X (Style M1)

SHOWER DOOR & PANEL GLASS INSTALLATION INSTRUCTIONS

PLEASE REVIEW THIS ENTIRE MANUAL PRIOR TO INSTALLATION



STEP 1: Install Shower Door

STEP 2: Install Inline Panel

STYLE M1



NOTE: Refer to the Hinge Panel Glass Manual FIRST.



Questions?

Please Call **DreamLine** Customer Support: **1-866-731-2244**
Hours of Operation M-F 8AM - 6PM EST

Support@DreamLine.com



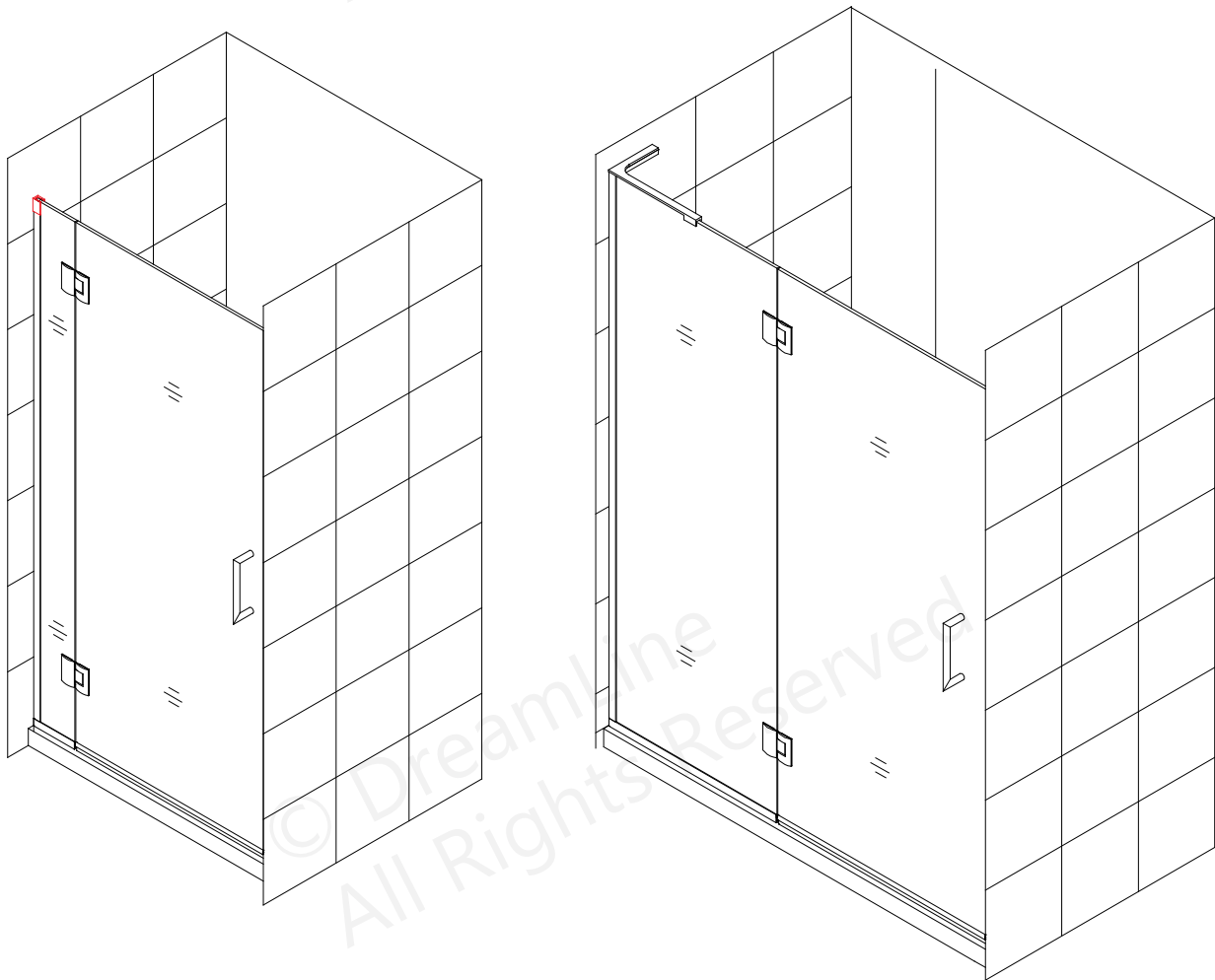
For more information about DreamLine[®] products please visit DreamLine.com

UNIDOOR-X Style M

GLASS-TO-GLASS HINGE SHOWER DOOR INSTALLATION

IMPORTANT

DreamLine[®] reserves the right to alter, modify or redesign products at any time without prior notice for the purpose of product improvement and customer experience. Please refer to the model's web page on **DreamLine.com** for the latest technical drawings, installation manuals, warranty information or additional product details.



Right Hand Door installation shown

Please review this entire manual prior to installation



Questions?

Please Call **DreamLine** Customer Support: **1-855-831-2126**
Hours of Operation M-F 8AM - 7PM EST and Saturday 9AM - 5PM EST

Support@DreamLine.com



For more information about DreamLine[®] products please visit DreamLine.com



This model is treated with DreamLine's exclusive ClearMax™ Glass technology. This is a specially-formulated coating that prevents the build up of soap and water spots.

Install the surface with the ClearMax™ label towards the inside of the shower. Please note that depending on the model, the glass may be coated on either one or both surfaces.

For best results, squeegee the glass after each use and dry with a soft cloth.

Record the following purchase information for your records or in the event you need to contact DreamLine®:

Purchase Order
Number _____

Store/Vendor
Purchased From _____

Installation Date _____

OD Number
(optional) _____
*found on the shipping box or label
if available.

Installed By: _____

SKU Number _____

Table of Contents

Section title	Page #
Important Steps	2
Model Numbers	3
Model Styles and Manuals	4~5
Preparation	6
Tools	7
Parts List & Detailed Diagram of shower door components	8
Installation of 6" Hinge Panel with Hinge Panel Glass Bracket	10~14
Installation of 24" Hinge Panel Glass with L-Bar™	15~21
Hinges and Door Glass installation	22~23
Vinyl Seals	24~25
Adjustable Hinge instructions	27
Product maintenance	28

NOTE: Unpack your unit carefully and inspect it. Lay it out and identify all parts using the detailed diagram and packing list in your manual as a reference. Before discarding the carton, check for small hardware bags that may have fallen to the bottom of the box. If any parts are damaged or missing, please contact DreamLine® for replacement. The shipping boxes may contain extra parts not used in your model configuration. Retain these installation instructions for future reference.



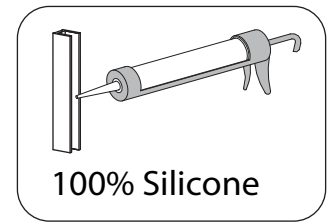
This product should be installed by someone familiar with the construction requirements for this type of project and the care necessary for the safe installation and operation of the product.



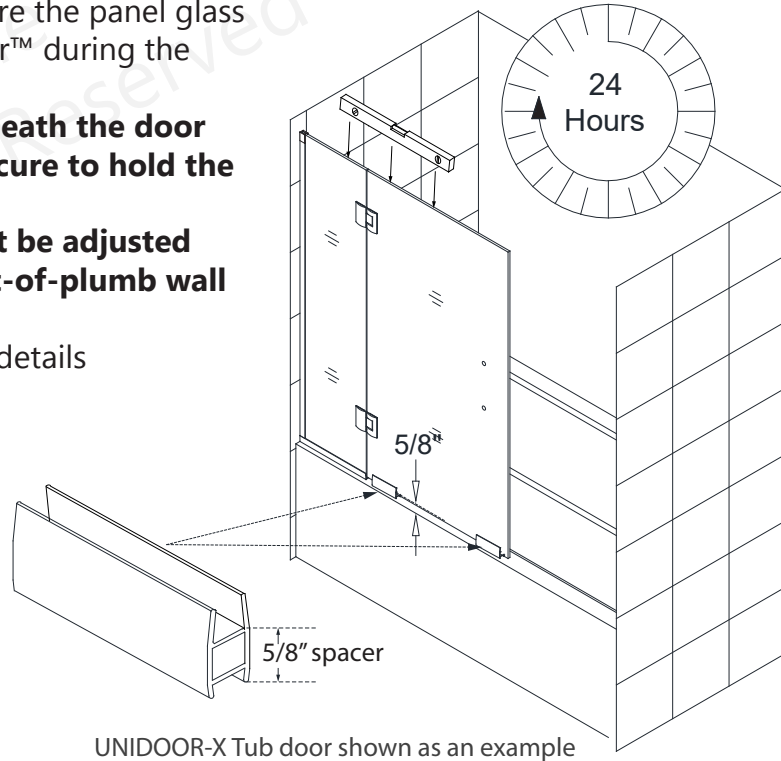
The hinge panel glass must be properly installed and secured to support the weight of the door glass. Failure to follow these steps may result in the hinge panel glass pulling out of the U-Channel.

IMPORTANT STEPS TO FOLLOW:

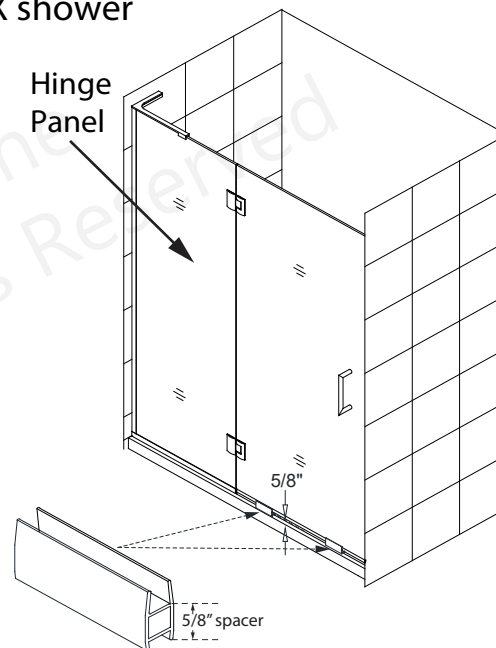
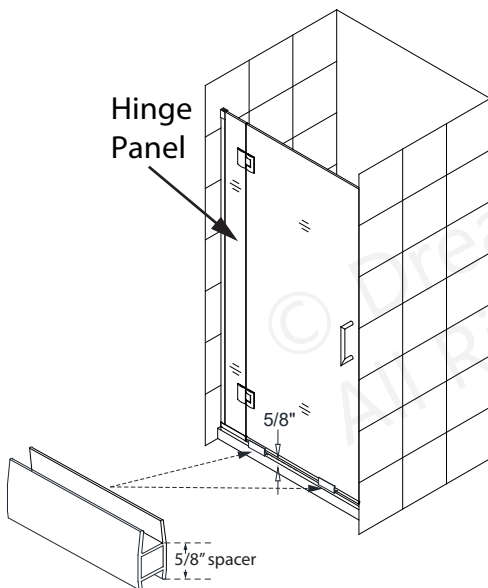
- Use 100% silicone caulk - a quick-drying or fast-curing silicone is recommended for the installation of hinge panel glass into the u-channels
- Apply enough silicone into the u-channels to secure the panel glass
- Fully tighten the hinge panel glass bracket or L-Bar™ during the installation of hinge panel glass
- **DO NOT remove the spacers or shims from beneath the door glass for 24 hours to allow the silicone to fully cure to hold the hinge panel glass securely in the u-channels**
- **The hinge panel glass for this model should not be adjusted more than 1/4" within the u-channel for an out-of-plumb wall condition**
- Refer to the product installation manual for more details



Leave the spacers or shims in place beneath the door glass for at least 24 hours after installation.

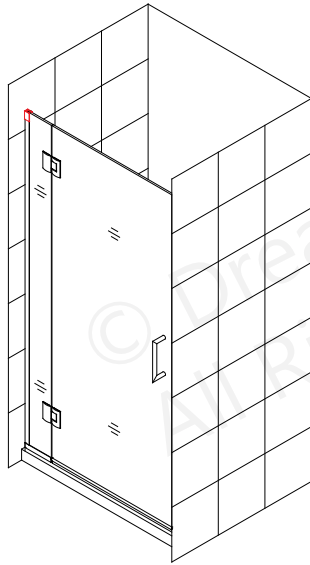


Unidoor-X shower



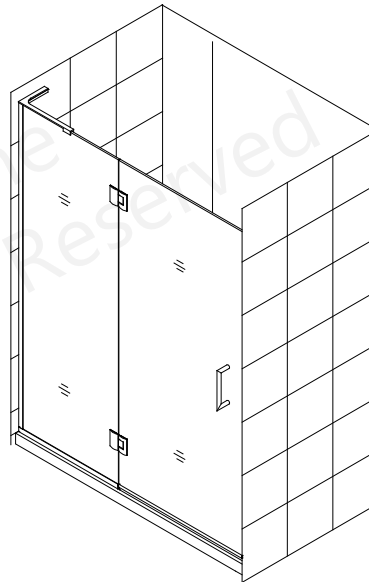
NOTE: Leave spacers or shims in place beneath the door glass for 24 hours. If time allows, delay installing the door glass onto the hinge panel glass for 24 hours until the silicone securing the hinge panel glass has fully cured.

Model Numbers



UNIDOOR-X Style M
with **6"** hinge panel with
Hinge Panel Glass Bracket

D12372-##
D12472-##
D12572-##
D12672-##
D12772-##
D12872-##
D12972-##
D13072-##

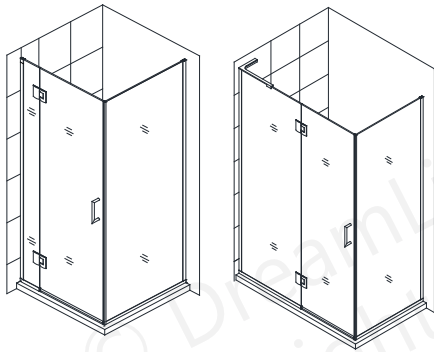


UNIDOOR-X Style M
with **24"** hinge panel
with Left or Right L-Bracket

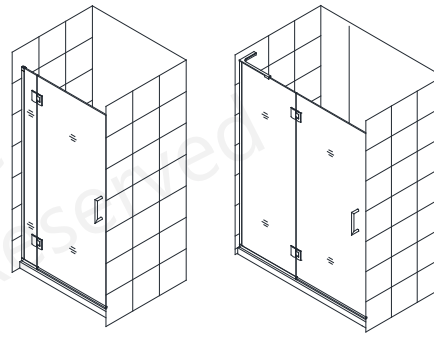
D32372L-##
D32372R-##
D32472L-##
D32472R-##
D32572L-##
D32572R-##
D32672L-##
D32672R-##
D32772L-##
D32772R-##
D32872L-##
D32872R-##
D32972L-##
D32972R-##
D33072L-##
D33072R-##

##- hardware finish
01- Chrome
04- Brushed Nickel
06- Oil Rubbed Bronze
09 - Satin Black

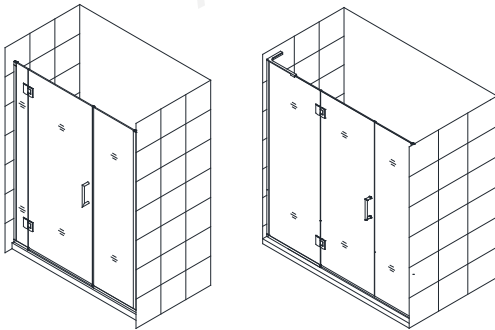
This Unidoor-X Style M manual is used with the following Model Styles:



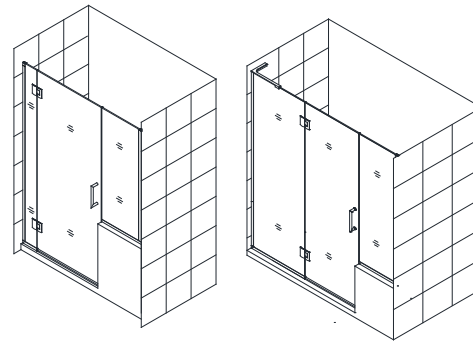
Style L1



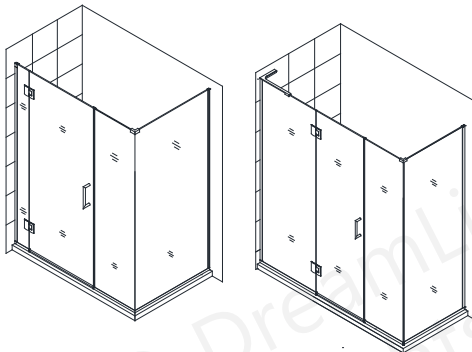
Style M



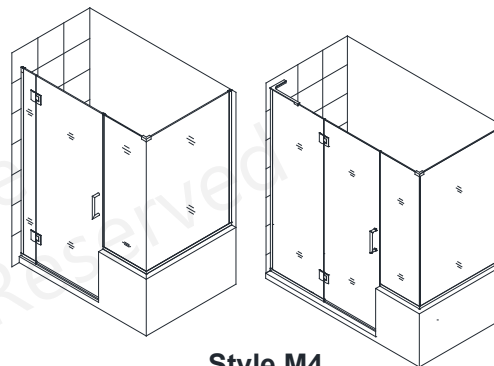
Style M1



Style M2



Style M3



Style M4



When installing one of the glass-to-glass hinges configurations shown above;

Discard the Style A manual that is packaged with the door glass and **use this Style M manual for the installation of the hinge panel glass and door glass.**

Next, use the manual that is packaged with the panel glass for the panel installation instructions **which include the enclosure installation dimensions** based on the Style or configuration:

- for **Style M1** - use manuals for Style M & Style F
- for **Style M2** - use manuals for Style M & Style G
- for **Style M3** - use manuals for Style M & Style I
- for **Style M4** - use manuals for Style M & Style J
- for **Style L1** - use manuals for Style M & Style L

STYLE L1 *

UNIDOOR-X Shower door 23"~30" with 6" or 24" hinge panel and with 30"- 34" full height return panel secured using u-channel

STYLE M *

UNIDOOR-X Shower door 23"~30" with 6" or 24" hinge panel secured using u-channel

STYLE M1 *

UNIDOOR-X Shower door 23"~30" with 6" or 24" hinge panel and with 6", 6-1/2", 14", 14-1/2", 22" or 22-1/2" full height inline panel secured using u-channel

STYLE M2 *

UNIDOOR-X Shower door 23"~30" with 6" or 24" hinge panel with 12", 18", 24" or 26" inline buttress panel secured using u-channel

STYLE M3 *

UNIDOOR-X Shower door 23"~30" with 6" or 24" hinge panel, with 6", 6-1/2", 14", 14-1/2", 22" or 22-1/2" full height inline panel and 30" - 34" full height return panel secured using u-channel

STYLE M4 *

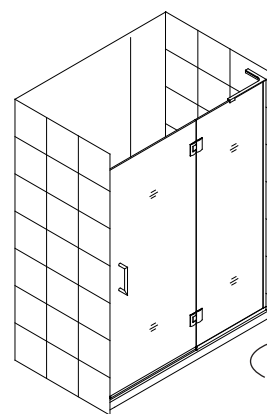
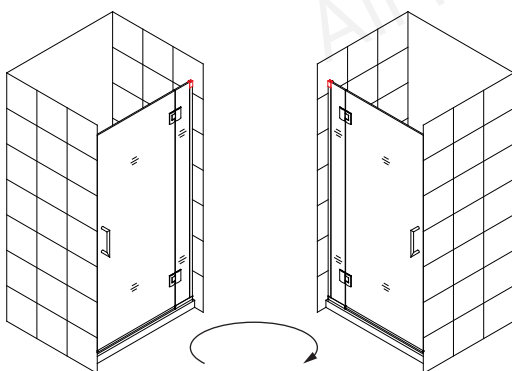
UNIDOOR-X Shower door 23"~30" with 6" or 24" hinge panel, with 12", 18", 24" or 26" in-line buttress panel and 30", 36" or 40" buttress return panel secured using u-channel

* For the panel installation instructions, please refer to the separate manual included in the panel glass packaging.

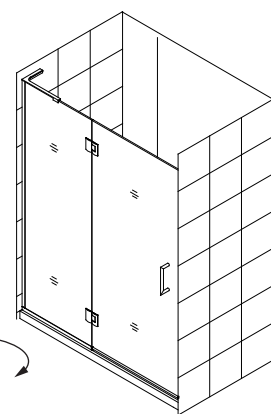
Depending on the panel glass size, some panel glass may have both an inline panel manual and a return panel manual. Use the appropriate manual for the model style/configuration.

For Example: a 30" full height panel can be used as an inline panel or a full height return panel.

NOTE: The Unidoor series doors and enclosures are reversible for left or right-hand door installation. This manual will show the right-hand door installation. For a left-hand door installation, simply begin on the opposite wall and reverse the orientation of the parts as necessary.



use Right-hand L-bracket



use Left-hand L-bracket

Preparation

1. Prior to installation, examine all boxes and packages for shipping damage and compare the piece count with your packing slip. After opening all boxes and packages read this introduction carefully. Check that all of the needed parts are included in the package by checking off the components on the "Detailed Diagram of Shower Door Components". If the unit has been damaged, has a finishing defect, or has missing parts, please contact our customer support department within **3 business days** of the delivery date. **Please note that DreamLine® will not replace any damaged products or missing parts free of charge after 3 business days or if the product has been installed.** Feel free to contact DreamLine® if you have any questions, and please provide an order number, job name or other proof of purchase to help us identify your original order.
2. **Please note that you should consult your local building codes with questions on installation compliance standards. Building and plumbing codes may vary by location, and DreamLine® is not responsible for code compliance standards for your project and will not accept any returns.**
3. If this unit is going to be installed in a new construction, please install all of the required plumbing and drainage before installing the shower. Use a competent and licensed (if required by local code) plumber for all plumbing installation.
4. Please make sure that prior to beginning the installation, the surfaces are leveled and solid and will be able to support the total weight of the unit. Also make sure the walls are at right angles. Irregular installation surface level, radius corners or improper angle of side walls will result in serious problems for your installation. Note that some adjustments and drilling will be necessary during the installation process.
5. Please protect all primary surfaces of the product during installation. **Never set the glass down directly onto a tile floor. Leave corner protectors in place until it is necessary to remove them.** Always use a piece of wood or cardboard to protect the bottom edge and corners of the glass prior to and during installation.
6. This unit must be installed upon a finished threshold and against finished walls.
7. **The hinge panel glass for this model should not be adjusted more than 1/4" for out-of-plumb within the U-channel.** This model does NOT have any adjustment for overall width. Verify that the model size ordered will fit the finished opening before beginning installation.
8. **This model requires that you drill into the threshold for proper installation.**
9. **It is recommended to install the hinge-side U-Channel into a stud.**
10. This model requires minimum **5/8"** of flat threshold space for installation.

Professional installation recommended

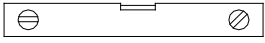


NOTE: It is required to allow the silicone to fully cure in the U-channels before installing the door glass.

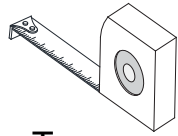


NOTE: DO NOT install the handle onto the door glass until instructed to do so. **DO NOT** attempt to lift the glass using the handle. This could result in damage to the glass and/or serious personal injury. Always use an assistant or a professional grade glass suction cup when handling heavy glass.

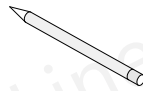
Tools



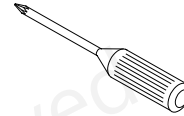
Level



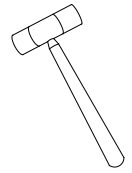
Tape Measure



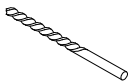
Pencil



Phillips Screwdriver



Hammer



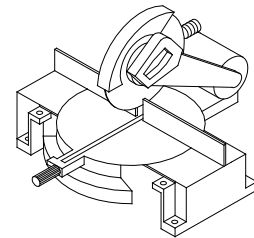
Drill bit
(Ø=5/16")



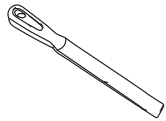
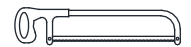
Drill bit
(Ø=1/8")



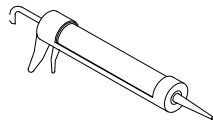
Power Drill



Miter saw or Hacksaw



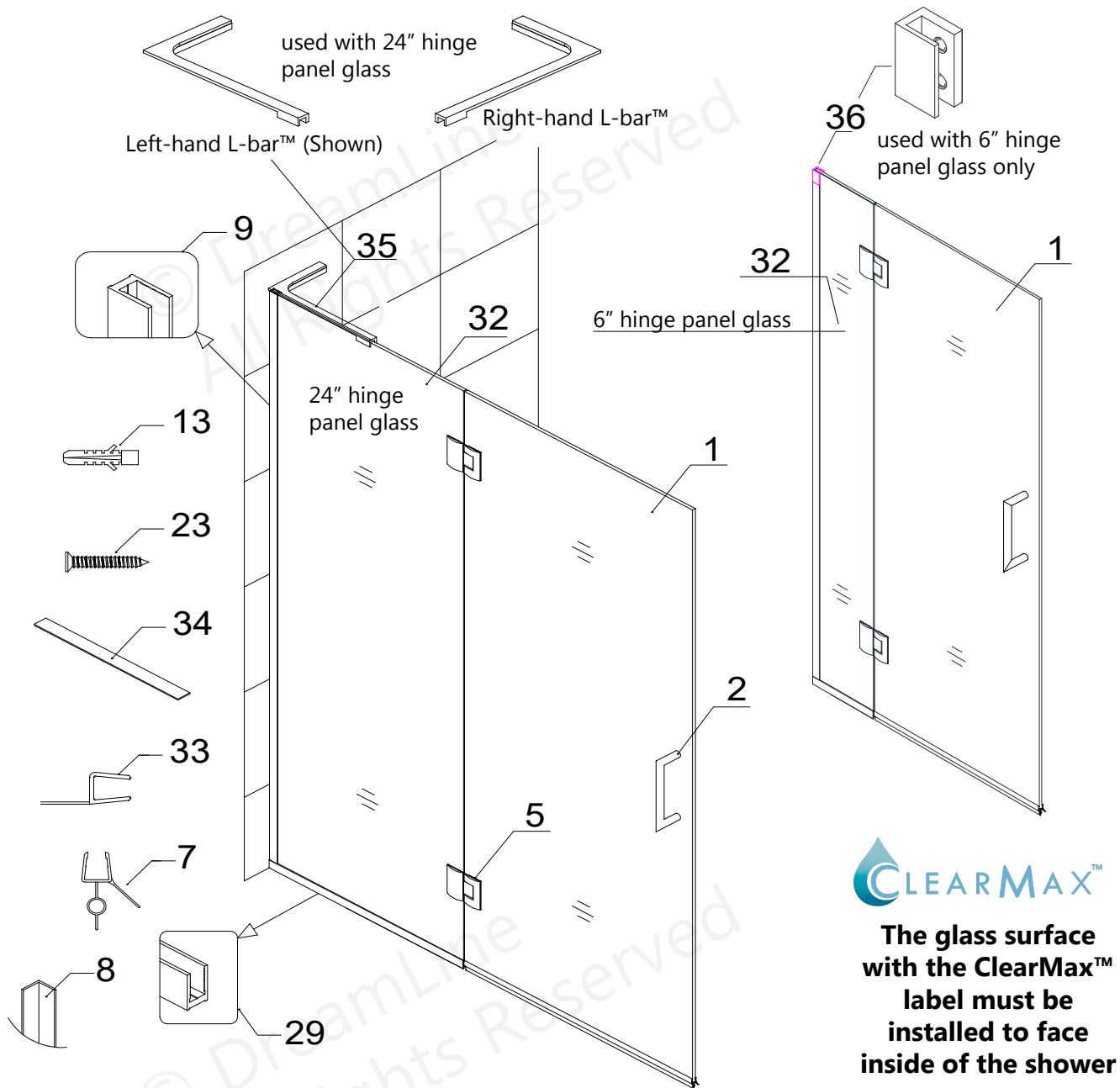
Metal File



100% Silicone*

*Quick-drying/fast curing silicone recommended for the installation of hinge panels.

Detailed Diagram of shower door components



Parts List

01	Door Glass	1pc	23	ST4.2x40 Countersunk screw	8pcs
02	Handle	1pc	29	U-channel 2 (44", bottom profile)	1pc
05	Glass-to-Glass Hinge	2pcs	32	Hinge panel glass (6" or 24")***	1pc
07	Bottom Sweep Vinyl Seal	1pc	33	Hinge-side vinyl seal	1pc
08	L-Strike Vinyl w/VHB tape	1pc	34	PVC glass spacer (0.5mm)	1pc
09	U-channel 1 (76", wall profile)	1pc	35	L-Bar™ (Left or Right) (for 24")**	1pc
13	Ø5/16" Wall anchor	5pcs	36	Hinge Panel Glass Bracket (for 6") ^	1pc

* L-shaped strip (#08) only used for Style M configuration

** L-Bar™ (for 24" hinge panel glass) is not included with 6" hinge panel glass

*** Hinge panel glass - the top hinge cutout is 7-7/8" to center, the bottom cutout is 8-3/8" to center.

^ Hinge Panel Glass Bracket (#36) is for the 6" hinge panel only and is not to be used with the 24" hinge panel glass

Installation steps

Style M - 6" & 24" Inline Panel and Shower Door Installation

NOTE: The following shower door installation instructions should be used as a general guide and prerequisite to the installation of the UNIDOOR Style M, M1, M2, M3, M4 and L1 models. Before you begin the installation, please check your finished opening size and model dimensions to ensure proper placement of the Hinge Panel Glass (#32) and Door Glass (#01). Specific size information can be found on our website: DreamLine.com.

NOTE: The 24" Hinge Panel Glass (#32) installs with either a left or right L-Bar™ (#35). (Fig A)

The 6" Hinge Panel Glass installs with the Hinge Panel Glass Bracket (#36). (Fig B)

This manual includes instructions for both methods.



NOTE: There is a top and a bottom to the Hinge Panel Glass (#32): The top hinge cutout is 7-7/8" to center, the bottom hinge cutout is 8-3/8" to center. The hinge panel glass **must** be installed correctly.

NOTE: For the 6" Hinge Panel Glass (#32) installation, begin with Step #1. The Hinge Panel Glass Bracket (#36) installs at the top of the vertical U-channel. (Fig B)

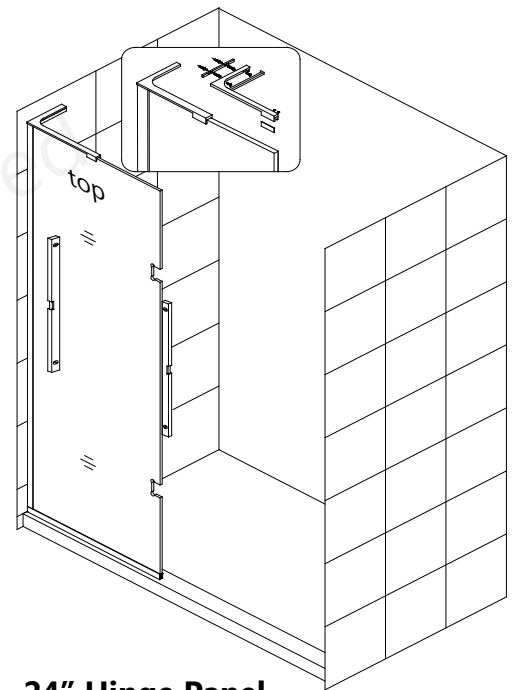
The Hinge Panel Glass Bracket (#36) is only for use with the 6" Hinge Panel Glass (#32).

DO NOT USE this bracket with the 24" hinge panel glass.



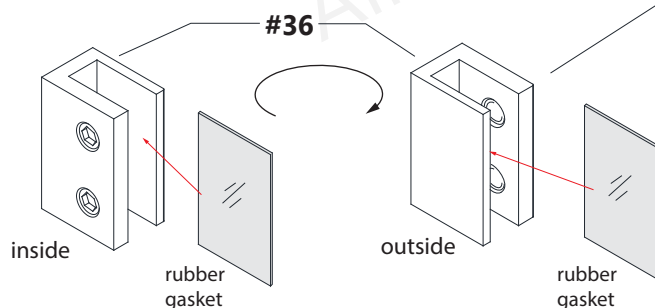
For the 24" Hinge Panel Glass (#32) installation with the L-Bar™ (#35), begin with Step #10 on Page 15.

Note: The L-Bar™ (#35) is not included with the 6" hinge panel installation.



24" Hinge Panel with left-hand L-Bar™ (#35)

Fig A



6" Hinge Panel with Hinge Panel Glass Bracket (#36)

Fig B

NOTE: The Hinge Panel Glass Bracket (#36) is only to be installed with the 6" Hinge Panel Glass (#32) for the UNIDOOR-X models.

Maximum out-of-plumb adjustment for Hinge Panel Glass = 1/4"

Installation steps for 6" hinge panel with Hinge Panel Glass Bracket

1. Draw a line on the threshold and up the wall to represent the outside edge of the U-channels. Make sure the line is parallel to the front edge of the threshold. **(Fig 1)**

2. Use a hacksaw or a miter saw: Cut the Vertical U-channel to **69-7/16"**. Cut the Bottom U-channel** to **6"**. **(Fig 2)**

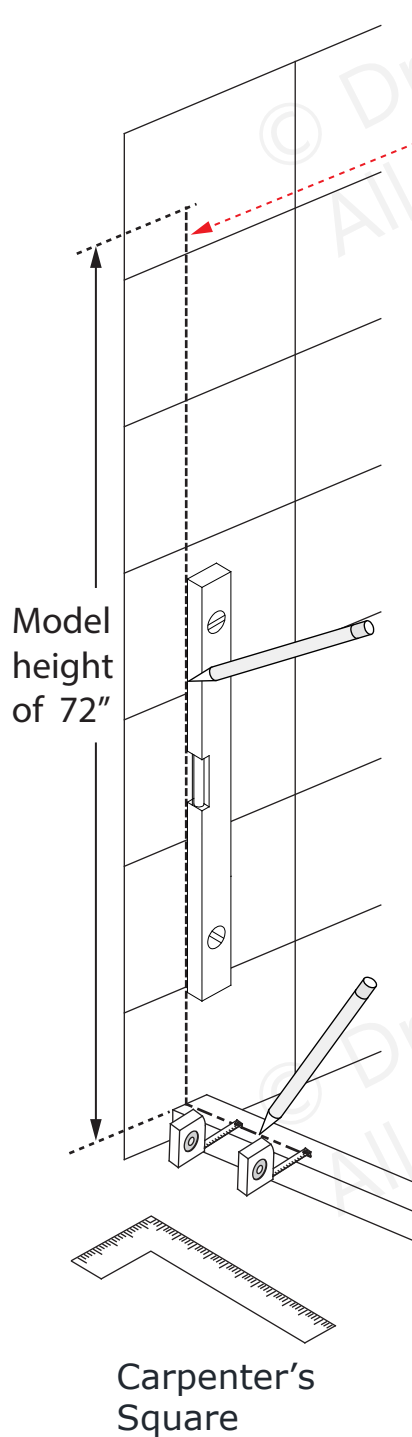


Fig 1



NOTE: Refer to the enclosure panel manual for the correct dimensions for enclosure installations

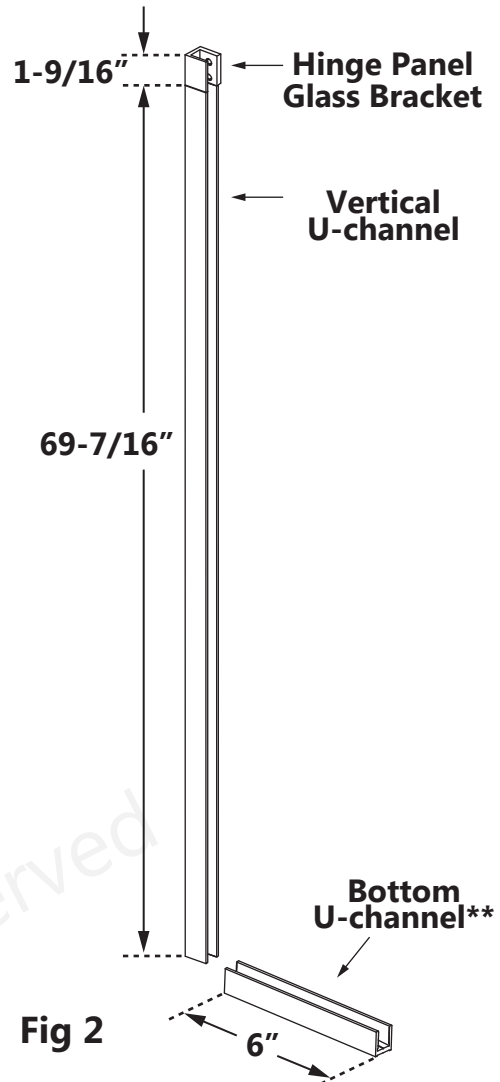
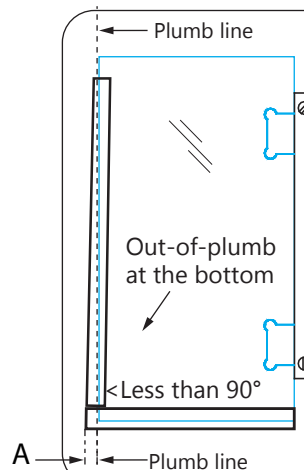


Fig 2



****If the wall is out-of-plumb at the bottom,** measure that dimension (A) and add it to the length of the U-channel (1/4" max): **Finished cut length= Glass Width + 3/16" + dimension A**

3. Position the U-channels and **Hinge Panel Glass Bracket (#36)** on the wall and threshold to mark the holes for drilling. **(Fig 3)**

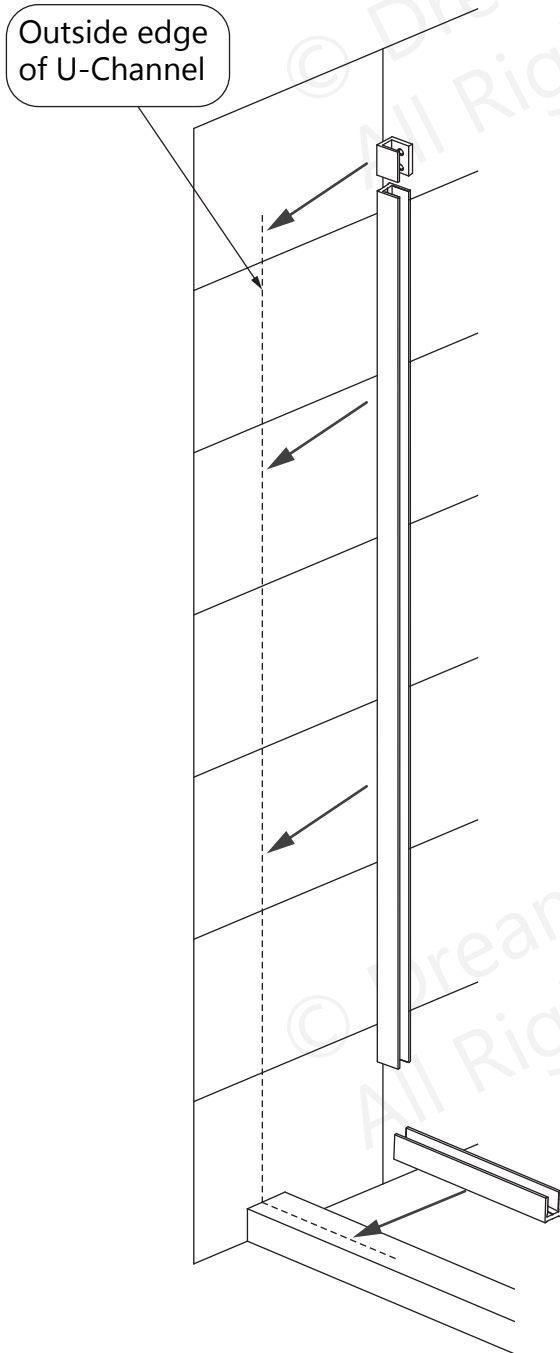


Fig 3

4. Mark the hole positions on the wall and threshold through the holes in the U-channels and the **Hinge Panel Glass Bracket (#36)**.
(Note that the **Hinge Panel Glass Bracket (#36)** is wider than the u-channel and must be aligned correctly with the u-channel). **(Fig 4)**

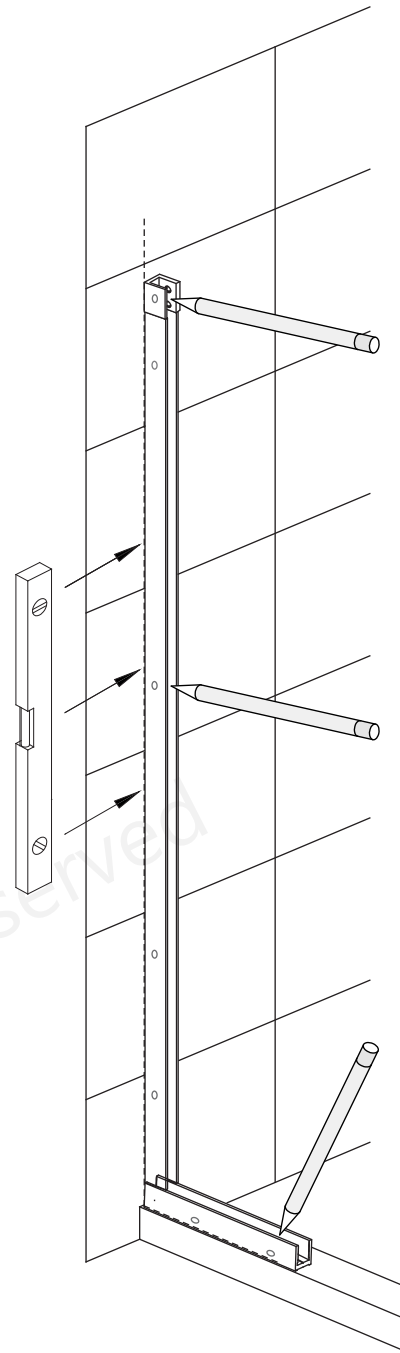


Fig 4

5. Drill $\text{Ø}5/16''$ holes in the wall and install the wall anchors.

- Drill $\text{Ø}1/8''$ holes into an acrylic threshold OR
- Drill $\text{Ø}5/16''$ holes and install anchors for installation into a tile threshold. (Fig 5)

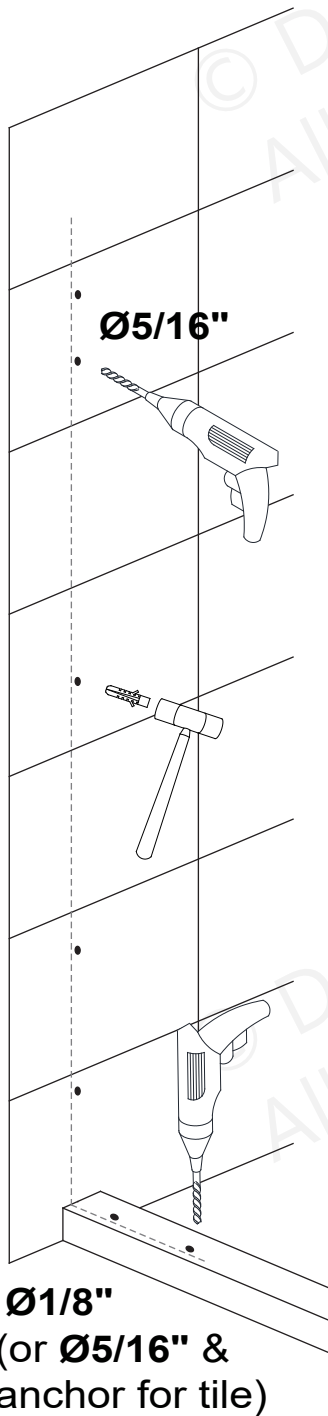


Fig 5

6. Apply silicone to the back of the U-channels and the screw holes, then install the U-channels and **Hinge Panel Glass Bracket (#36)** using the **ST4.2 x 40mm Countersunk Screws (#23)**. (Fig 6)

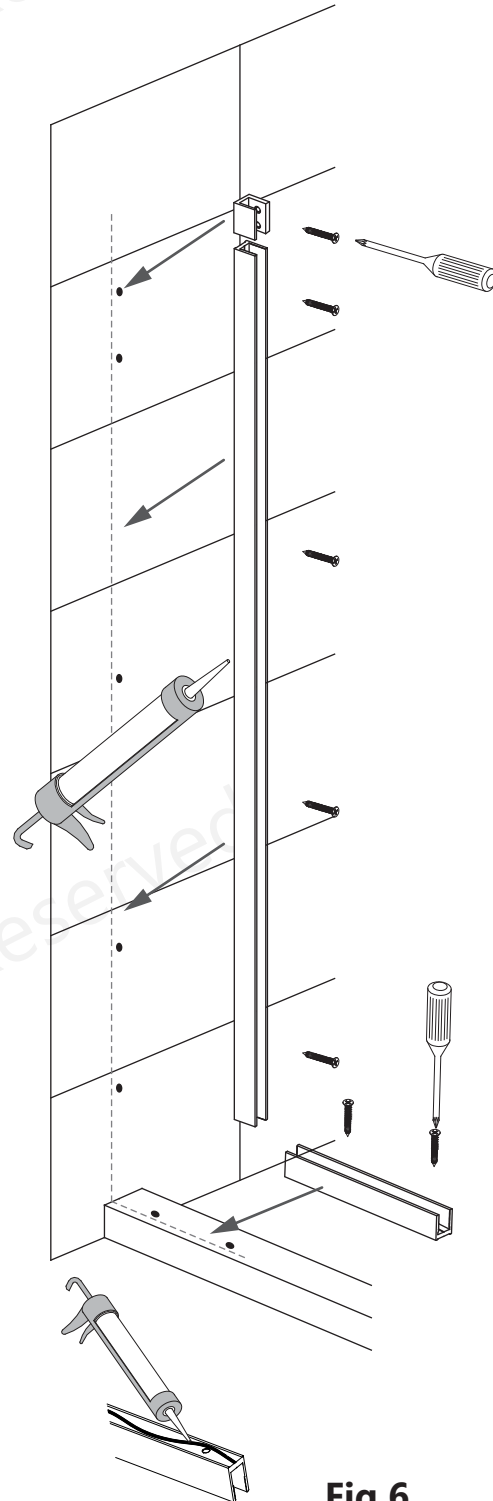
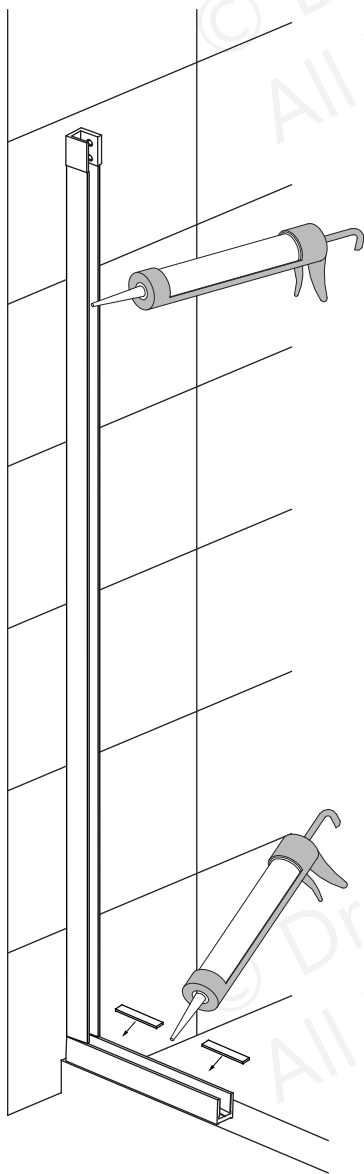


Fig 6

7. Add the **PVC Glass Spacer (0.5mm) (#34)** into the bottom U-channel to protect the bottom corners of the glass.
Apply a bead of silicone into the length of the U-channels. **(Fig 7)**

Quick-drying/fast curing silicone is recommended for the installation of hinge panel glass into u-channels.

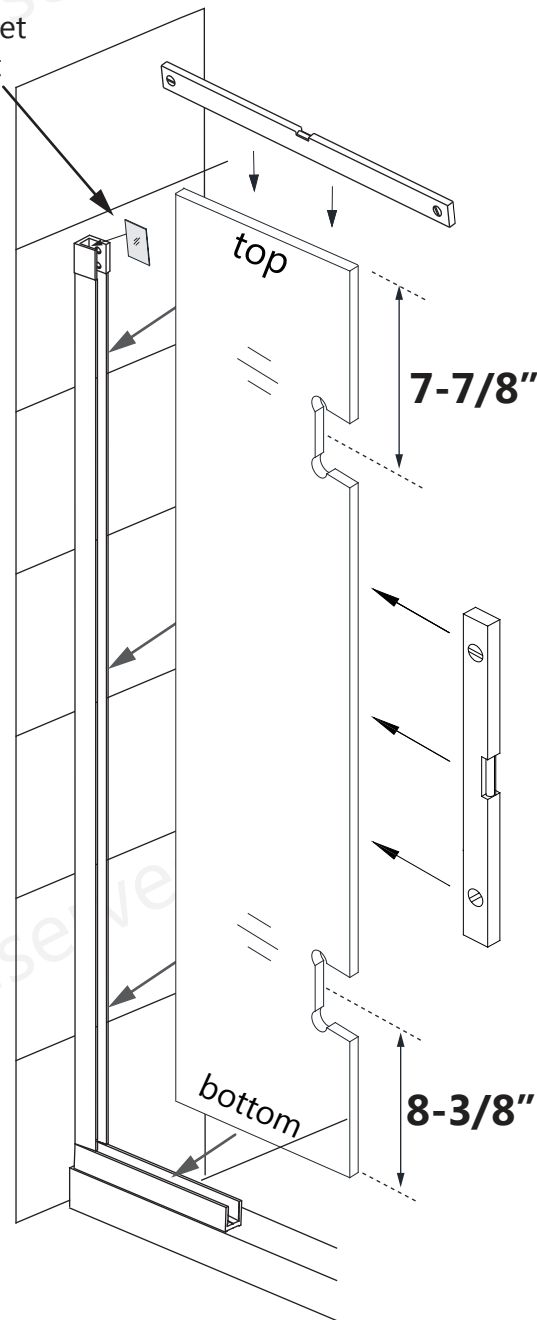


Cut and install two 2" pcs of the PVC Glass Spacer (0.5mm) (#34) into the bottom U-channel to protect the bottom edge and corners of the glass

Fig 7

8. Install the **Hinge Panel Glass (#32)** into the U-channel, checking for level and plumb. Install the gasket into the **Hinge Panel Glass Bracket (#36)**. **(Note: Make sure the top of the hinge panel glass is at the top).** **(Fig 8)**

Hinge Panel Glass Bracket with gasket



NOTE: It is required to allow the silicone to fully cure in the U-channels before installing the door glass.

Fig 8

9. Tighten the rubber-tipped set screws on the **Hinge Panel Glass Bracket (#36)** to secure the hinge panel glass. **(Fig 9)**

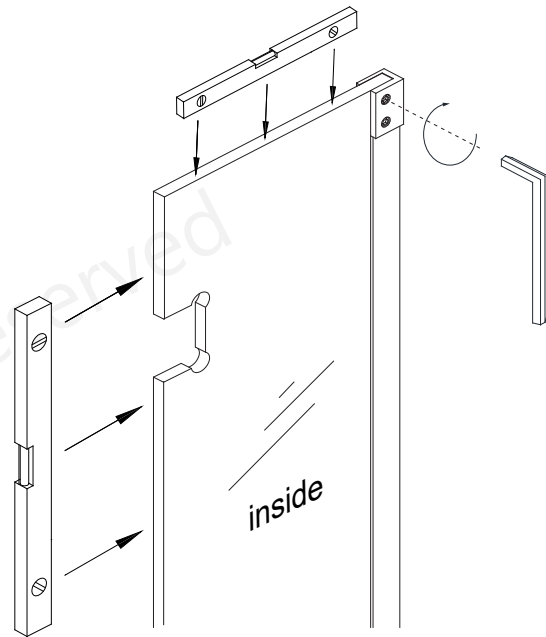


Fig 9



NOTE: Following the installation of the Hinge Panel Glass (#32), it is required to allow the silicone to fully cure before hanging the door glass. **(Fig 9)**

Proceed to Step #19 on Page 22 to continue the installation of the Hinges, Door Glass and other components.

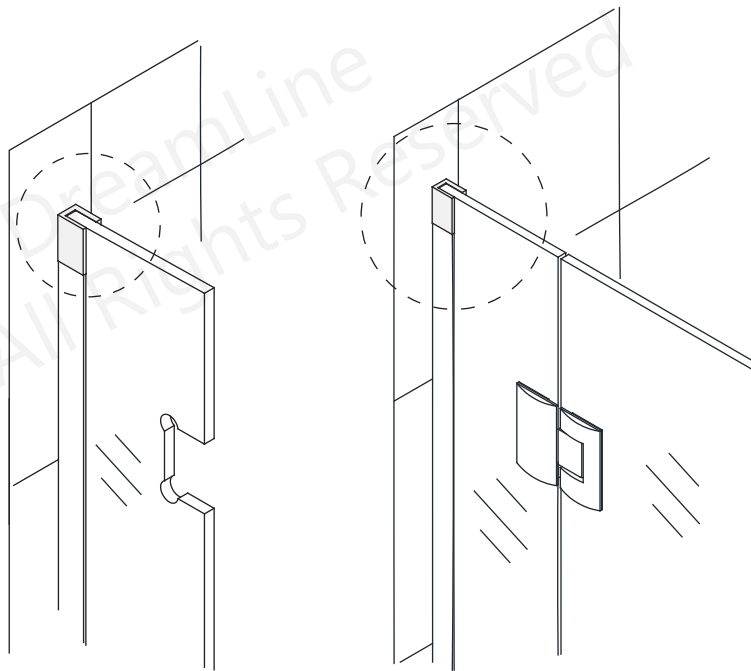


Fig 9

Installation steps for 24" hinge panel glass and the L-Bar™

10. Cut the **Vertical U-channel 1 (#09)** to **71"**. (Fig 10)

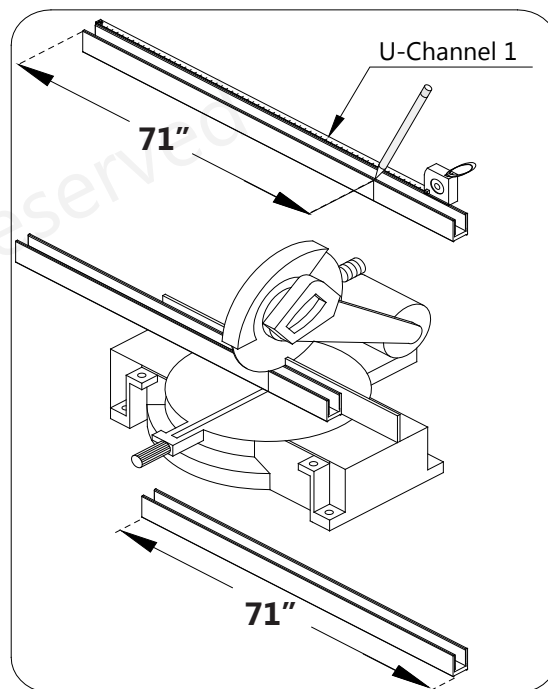
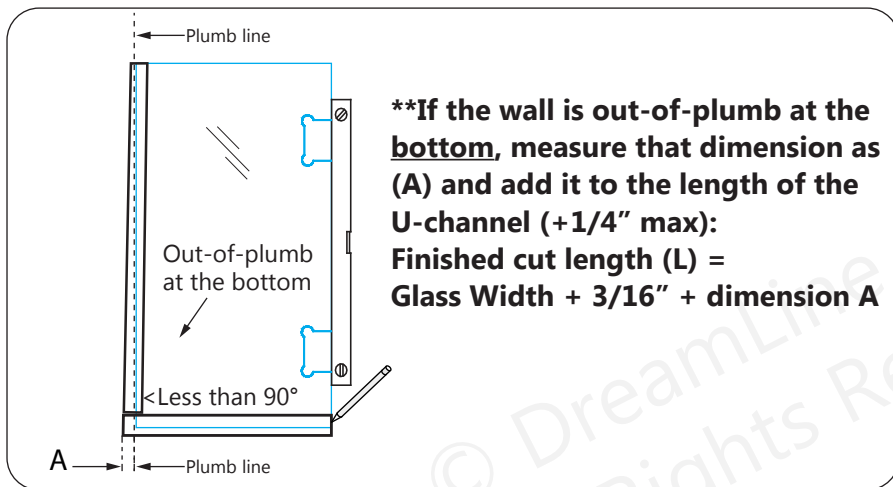


Fig 10

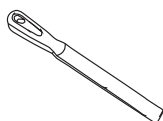
11. Cut the **Bottom U-channel 2 (#29)** to **24"** (see note** below). (Fig 11)



NOTE The Vertical U-channel for the Hinge Panel glass will accommodate **up to 1/4"** for out-of-plumb.

Do not exceed this amount.

TIP: Use a metal file to remove any burrs from the cut end of the U-channels before placing them onto the glass.



Metal File

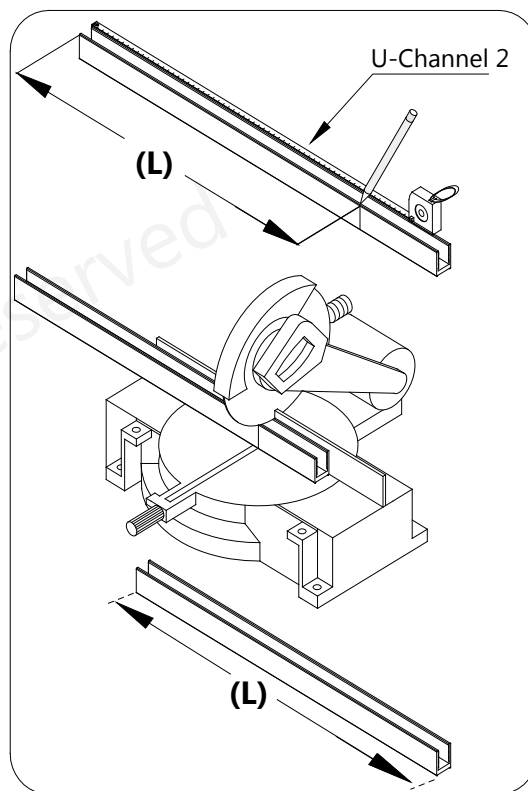


Fig 11

12. Position the **U-channel 2 (bottom profile) (#29)** onto the threshold, parallel to the outside edge. Mark the position of the U-channel and mark the position of the holes for drilling. You need to use at least 3 holes for the **U-channel 2 (bottom profile) (#29)**: one near each end and one near the center.

- Drill the holes into the threshold using an **Ø1/8"** drill bit. (Or use a **Ø5/16"** bit and anchor for tile)
- Apply a bead of silicone to the bottom of the **U-channel 2 (bottom profile) (#29)** and attach it to the threshold using the **ST4.2 x 40mm Countersunk Screws (#23)**. (Fig 12)

! **NOTE:** If installing this hinge panel and door for one of the Unidoor-X enclosure configurations, it is important that the hinge panel is installed at the correct dimension for the enclosure model size. Refer to the panel installation manual packaged with the panel glass for details and dimensions.

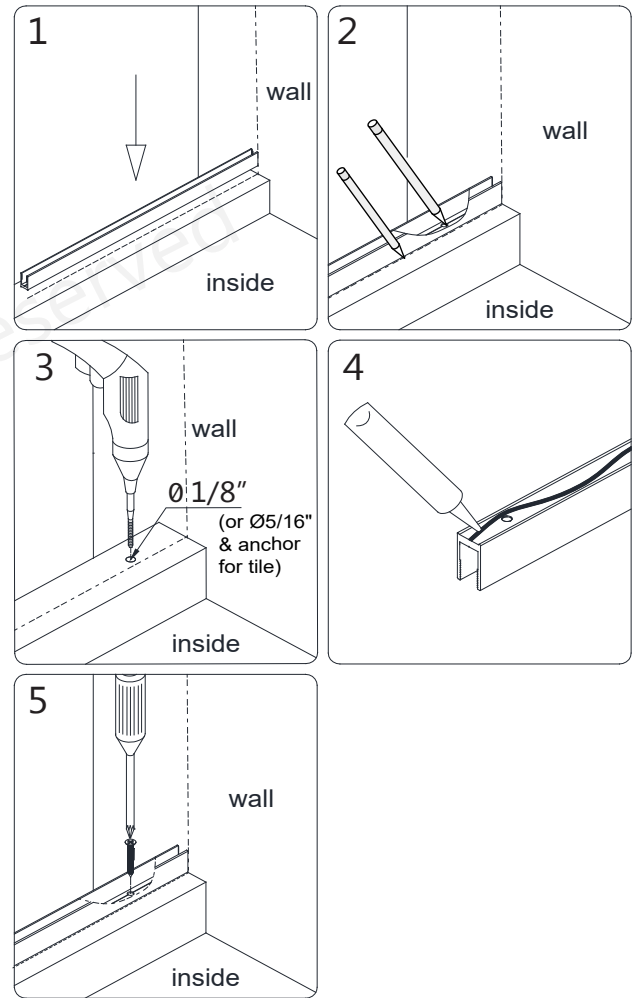
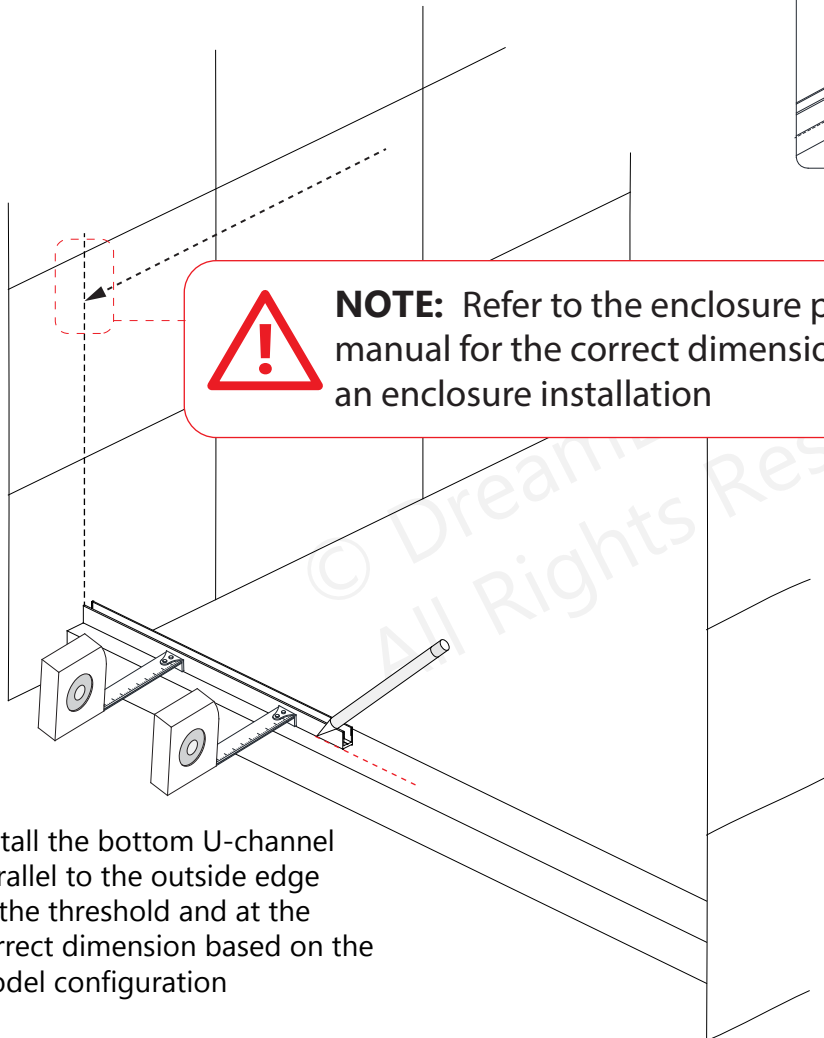


Fig 12



NOTE: Refer to the enclosure panel manual for the correct dimension for an enclosure installation

Install the bottom U-channel parallel to the outside edge of the threshold and at the correct dimension based on the model configuration

13. Next, position the vertical **U-channel 1 (#09) (wall profile)** on top of the installed bottom U-channel. Use a level to plumb the **U-channel 1 (#09) (wall profile)** and mark the positions of the holes for drilling. You need to use at least four holes for the **U-channel 1 (#09) (wall profile)**.

- Drill the holes into the wall using a **Ø5/16"** drill bit.
- Insert the **Ø5/16" Wall Anchors (#13)** into the holes.
- Apply silicone to the back of the **U-channel 1 (#09) (wall profile)** and attach it to the wall using the **ST4.2 x 40mm Countersunk screws (#23)**. (**Fig 13**)

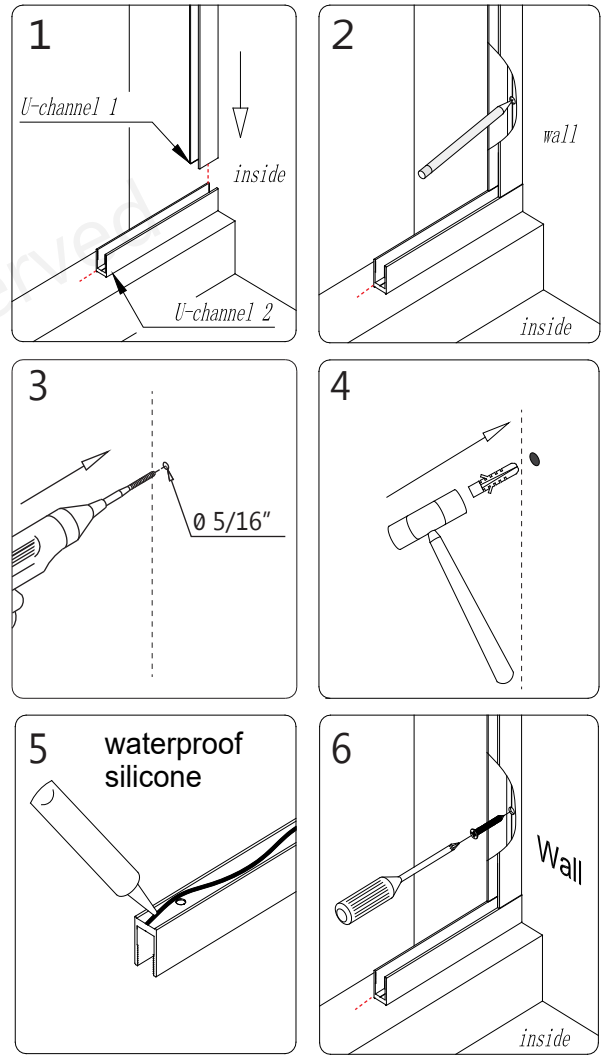
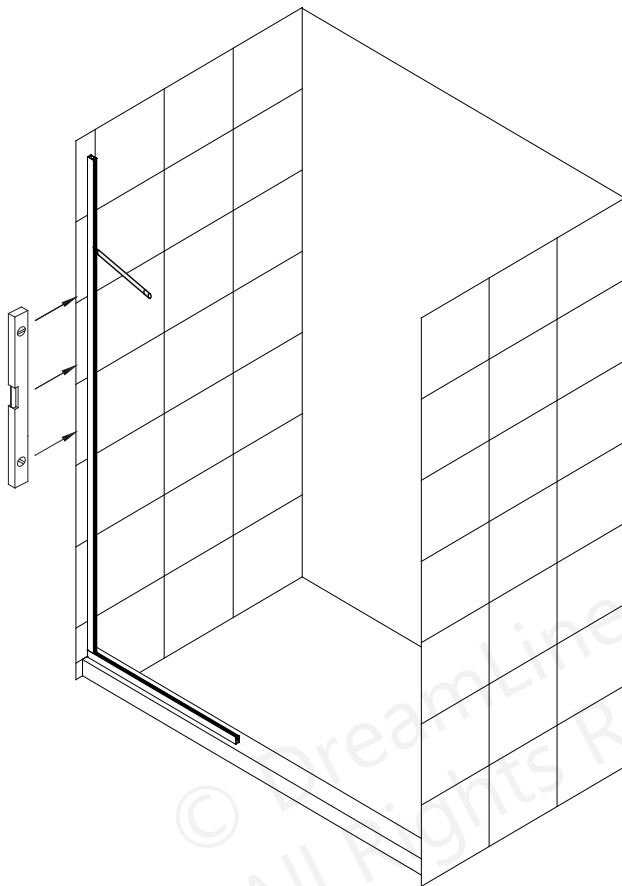


Fig 13

14. Add several 2" pieces of the **PVC Glass Spacer (0.5mm) (#34)** into the **Bottom U-channel** to protect the bottom edge and corners of the glass. Apply a good quality mildew-resistant silicone into both U-channels. (**Fig 14**)

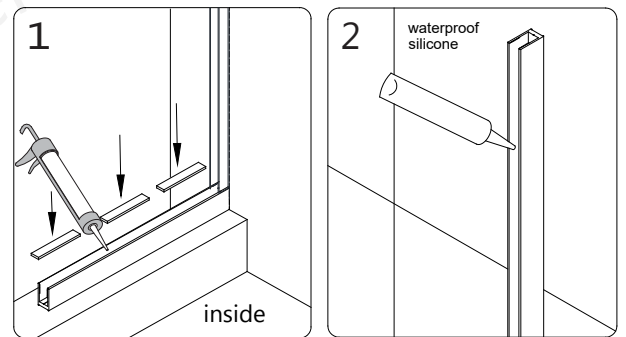


Fig 14

Quick-drying/fast curing silicone is recommended for the installation of hinge panel glass into u-channels.



NOTE: There is a top and a bottom to the **Hinge Panel Glass (#32)**:

The **top hinge cutout** is 7-7/8" to center, the **bottom hinge cutout** is 8-3/8" to center.

The hinge panel glass must be installed correctly so the door glass can be installed correctly.

15. Install the **Hinge Panel Glass (#32)** into the **U-channel 2 (#29) (bottom profile)** and the **U-channel 1 (#09) (wall profile)**. Apply a dab of silicone to the exposed end of the bottom u-channel. (**Fig 15a and 15b**)

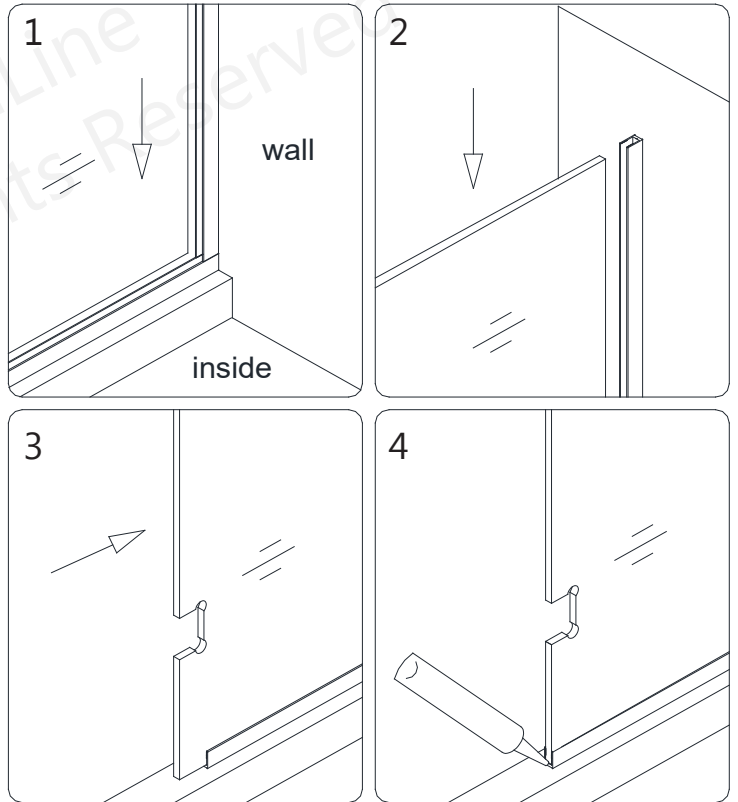


Fig 15a

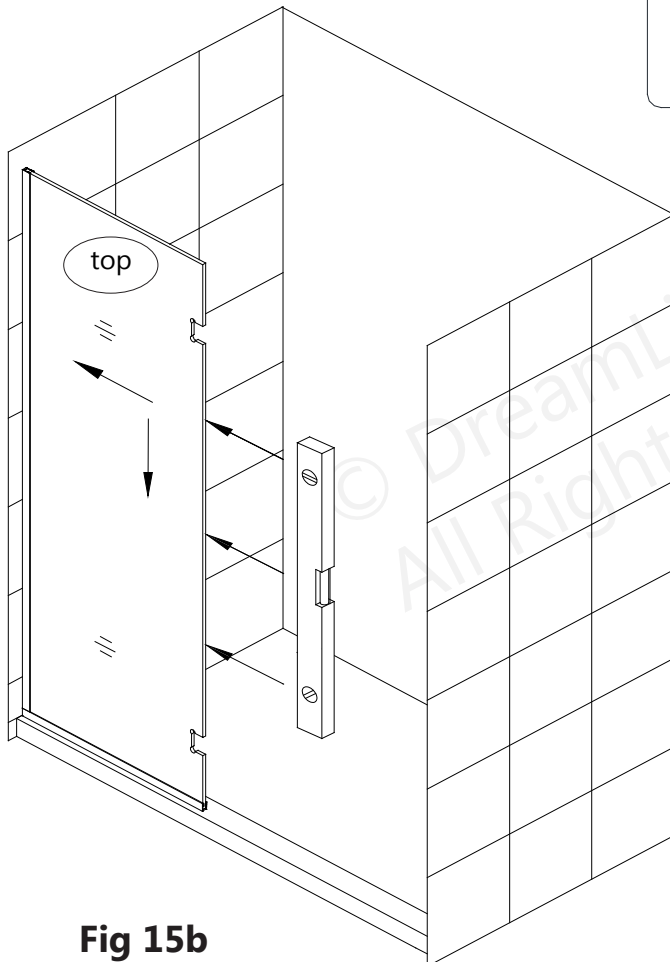


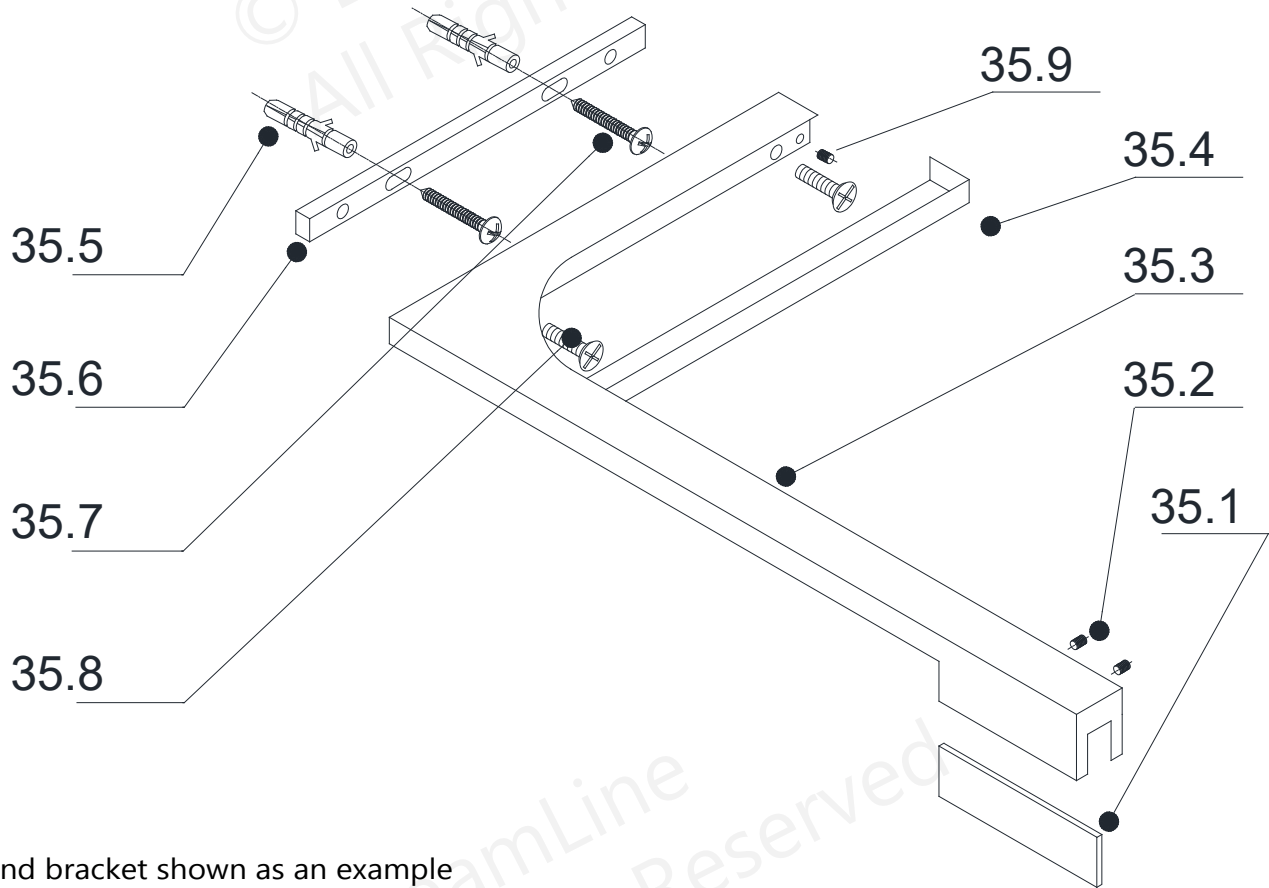
Fig 15b



NOTE: It is required to allow the silicone to fully cure in the U-channels before installing the door glass.

Installation steps for 24" hinge panel glass with L-Bar™

L- Bar™ Assembly (#35) Parts List**



Left-hand bracket shown as an example

35.1	PVC spacer	1 pc	35.6	Wall plate	1 pc
35.2	Rubber tip set screw	2 pcs	35.7	Truss Head Screw ST 4.2 x 40	2 pcs
35.3	L-Bar™ (left hand shown)	1 pc	35.8	Flat head Screw M5 x 14	2 pcs
35.4	Decorative cover	1 pc	35.9	Wall Plate adjustment set screw	2 pcs
35.5	Ø5/16" Wall anchor	6 pcs			

****The L- Bar™ Support Bracket Assembly is not included with the 6" hinge panel**

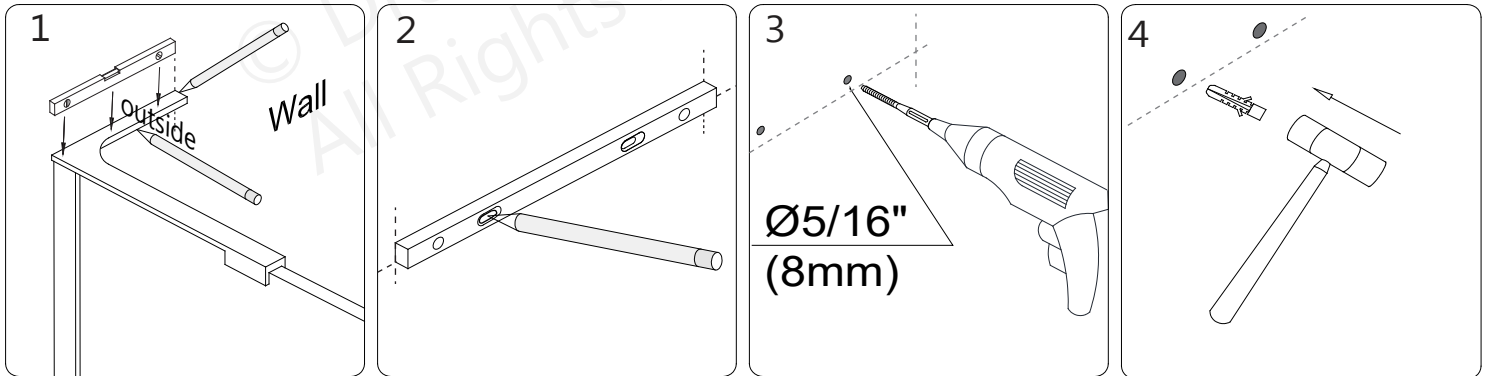
Left-hand bracket installation shown as an example

16. Position the **L-Bar™ Assembly (#35)** onto the **Hinge Panel Glass (#32)** as shown and mark its position on the wall.

Remove the **Wall Plate (#35.6)** from the L-Bar™. Hold the **Wall Plate (#35.6)** to the marks on the wall.

Check for level and mark the holes for drilling through the wider, untapped holes. **(Fig 16.2)**

Drill two **Ø5/16" (8mm)** holes and insert the **Ø5/16" Wall anchors (#35.5)**. **(Fig 16)**



Leave space for the decorative cover when marking the position of the L-Bar

Fig 16

17. Attach the **Wall Plate (#35.6)** to the wall using the **ST4.2 x 40 (#35.7) Truss Head Screws**.

Re-attach the **L-Bar™ (#35.3)** to the **Wall Plate (#35.6)** using the **Flat Head Screw M5x14 (#35.8)** and adjust the angle if necessary by using the **Wall Plate Adjustment Set Screws (#35.9)** **(Fig 17.7 and 17.8)**

Note that the **Flat Head Screws M5x14 (#35.8)** must be loosened to allow adjustment with the set screws and then retightened after adjustment. **(Fig 17)**

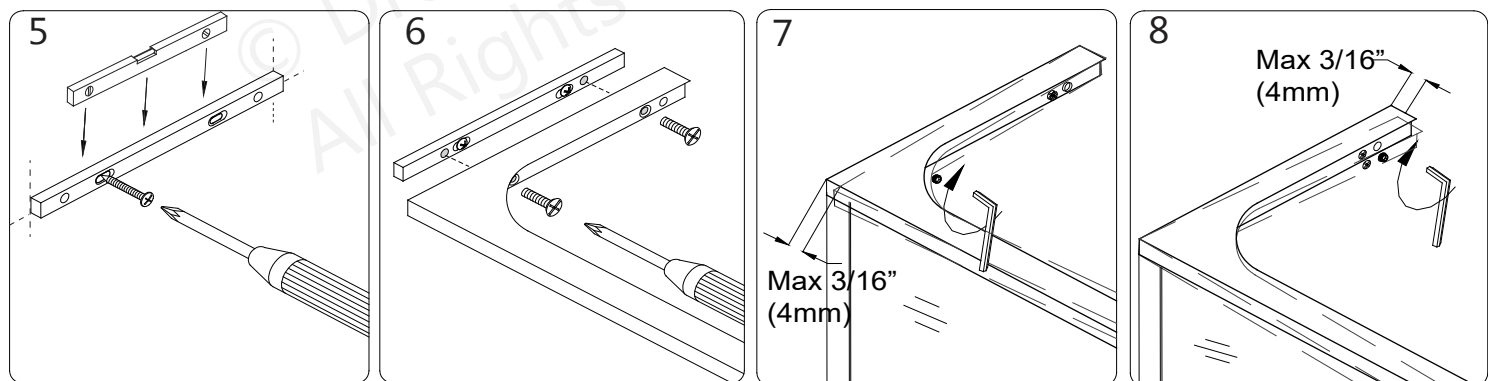


Fig 17

18. Adjust the **Panel Glass** to plumb and tighten the screws. Attach the **Decorative Cover (#35.4)**. Secure the **L-Bar™ (#35.3)** to the top of the **Panel Glass** using the clear gasket and rubber-tipped set screws. **Firmly tighten but Do Not overtighten the set screws.** (Fig 18a and Fig 18b)

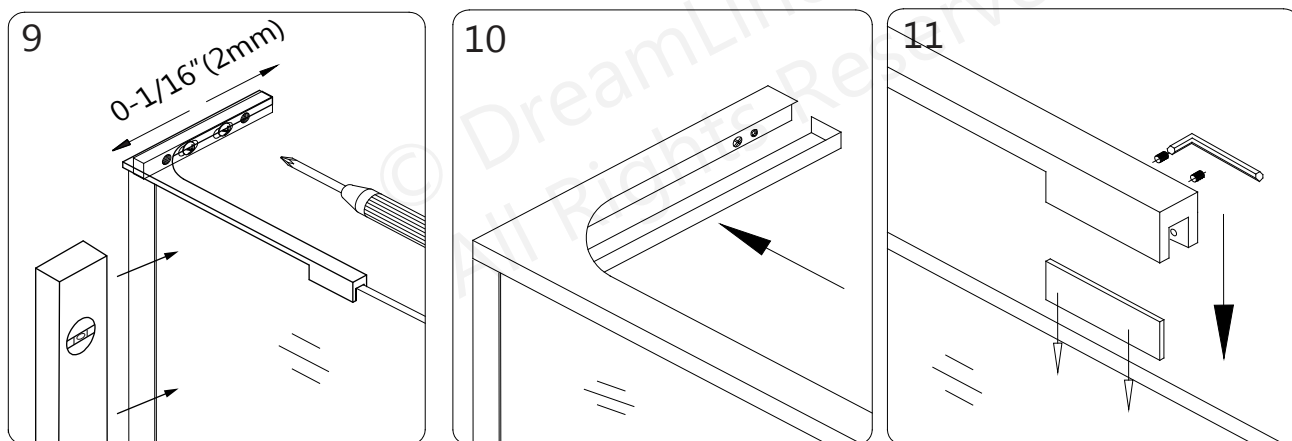
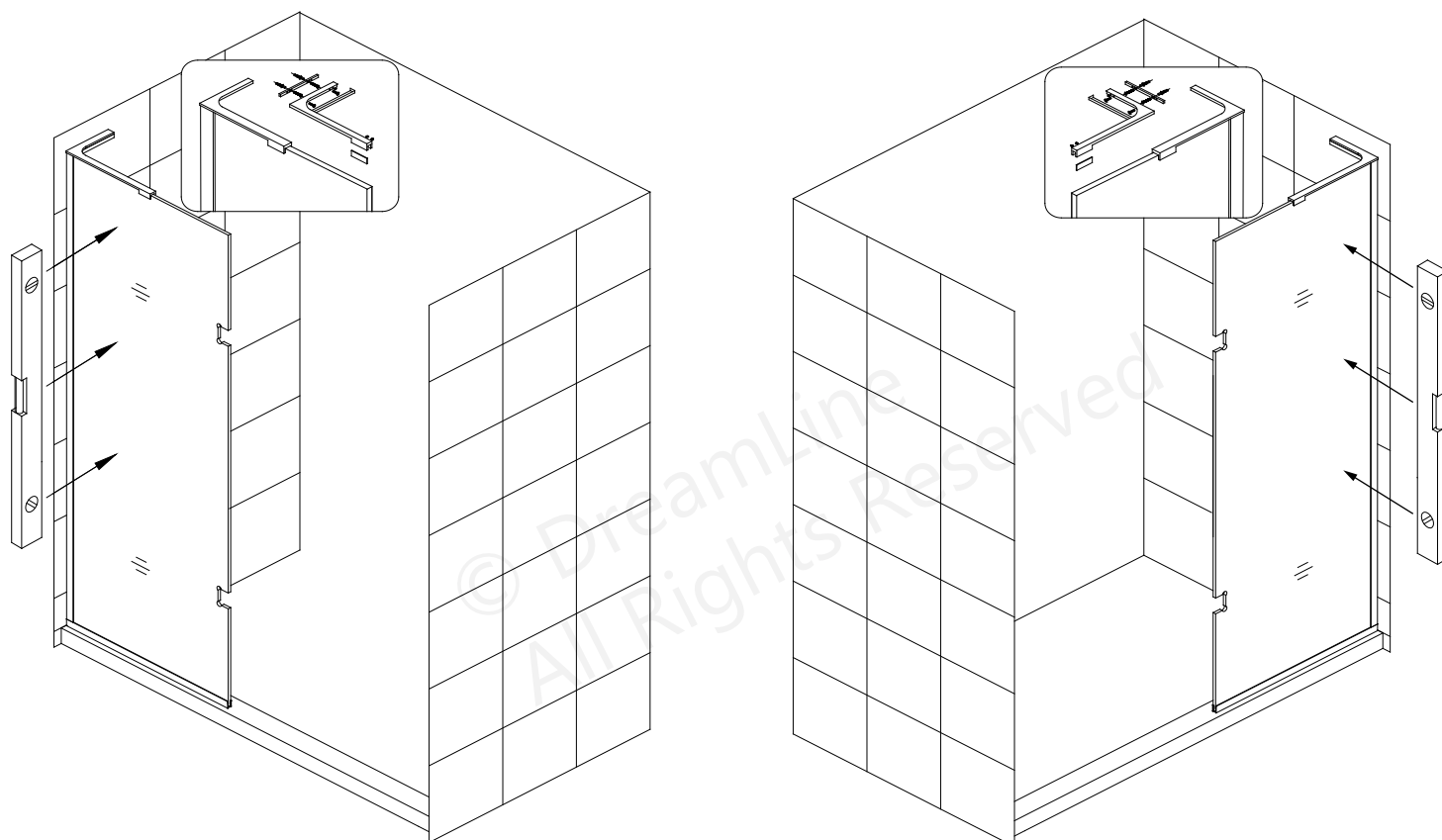


Fig 18a



Left-hand L-Bar™ installation

Fig 18b

Right-hand L-Bar™ installation

NOTE: The Left-hand L-Bar™ installation is shown. Follow the same steps for installing the Right-hand L-Bar™.

19. Attach the **Glass-to-Glass Hinges (#05)** to the **Hinge Panel Glass (#32)** with the bolts facing inside the shower. Install the hinges onto the **Hinge Panel Glass (#32)** flush with the edge of the glass.

Use at least one 2mm hinge gasket per side. Tighten the hinge bolts evenly and snap in the decorative bolt caps. **(Fig 19)**

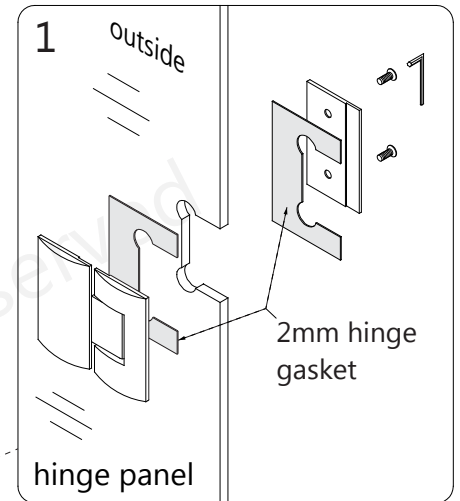
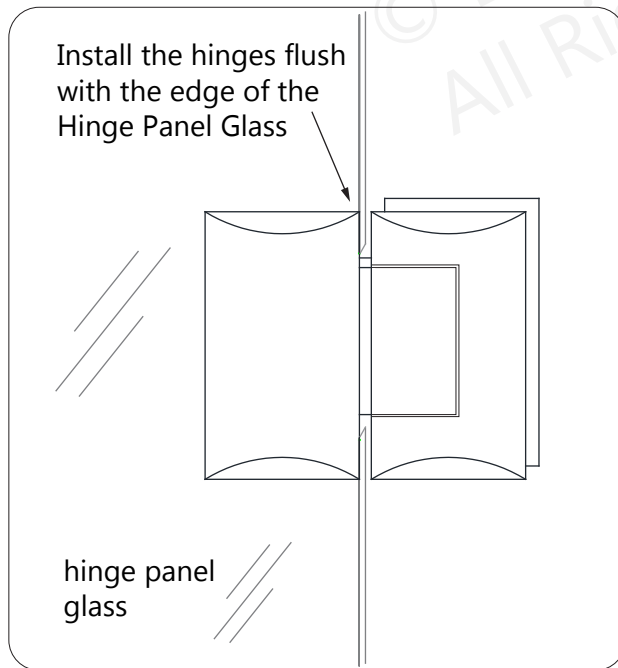


Fig 19



TIP: Clean the hinge gaskets and the glass around the hinge notches with an ammonia-free glass cleaner before installing the hinges onto the glass.

NOTE: These adjustable hinges are factory set to overclose. See **Page 27** for instructions regarding the adjustment features for these hinges.



NOTE: **Do Not** attach the handle to the door glass until instructed. **Do Not** attempt to lift the door glass with the handle as this may result in damage to the glass and/or serious personal injury. Use a professional grade glass suction cup and an assistant when handling heavy glass.

20. The **Door Glass (#01)** ships with **5/8" spacers**. These **5/8" spacers** will create the proper spacing at the bottom of the door glass and will ensure the installed door height finishes at 72". (but always confirm with a measurement)

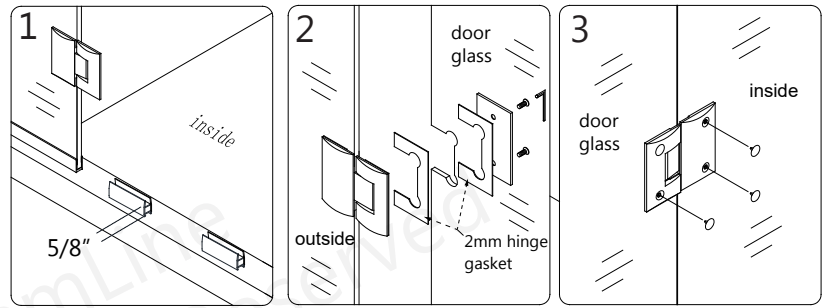
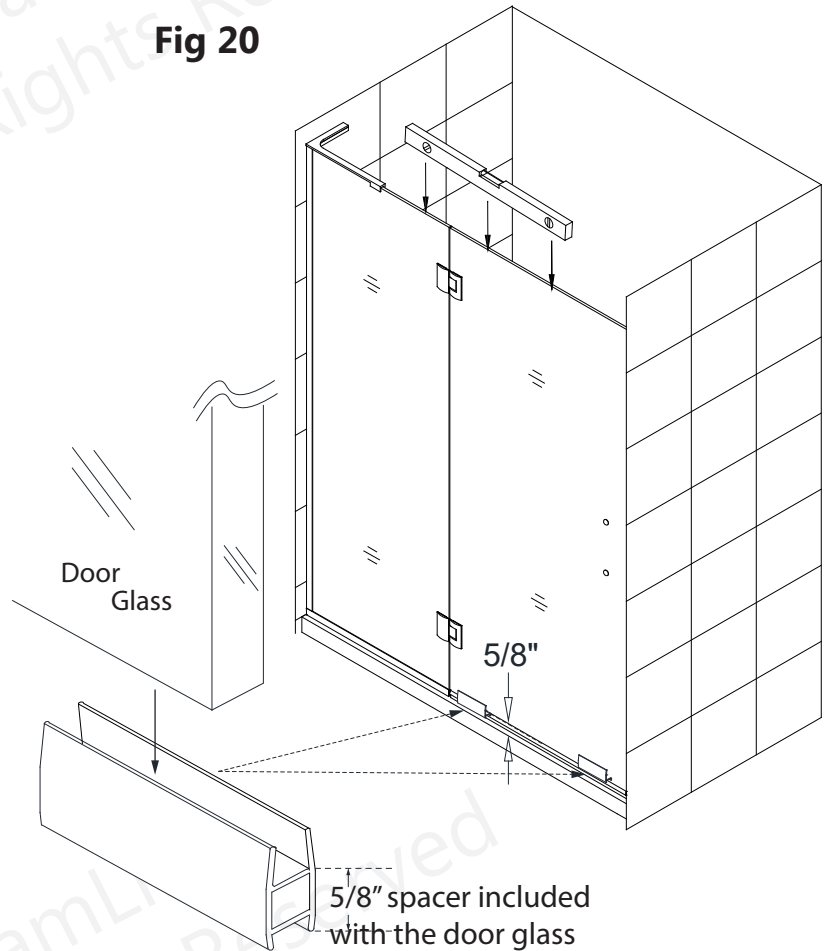


Fig 20

Set the **Door Glass (#01)** with the **5/8" spacers** attached onto the threshold, inline with the **Hinge Panel Glass (#32)**. Level up the **Door Glass (#01)** with the **Hinge Panel Glass (#32)** and fasten the hinges onto the **Door Glass (#01)** using one 2mm hinge gasket per side. Make sure the top edges of the **Door Glass (#01)** and **Hinge Panel Glass (#32)** are aligned and that there is an even reveal between the door and hinge panel glass. (**Fig 20**)



**** NOTE:** It is strongly recommended that the 5/8" shims be left beneath the door glass until the silicone securing the hinge panel glass has fully cured.

21. Attach the **Handle (#02)** onto the **Glass door (#01)**. (**Fig 21**)

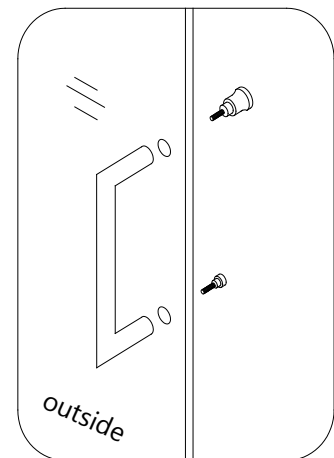


Fig 21

22. Measure the bottom of the **Door Glass (#01)** from side to side to determine the actual width of the door. Cut the **Bottom Sweep Vinyl (#07)** to the size of your measurement and notch $\frac{3}{8}$ " of the inner side of the **Bottom Sweep Vinyl (#07)** as shown in **Fig 22.2**. Press the **Bottom Sweep Vinyl (#07)** onto the bottom edge of the **Glass Door (#01)**.

NOTE: Make sure the **Bottom Sweep Vinyl (#07)** is flush to the vertical edge of the handle side of the **Door Glass (#01)**. (**Fig 22**)

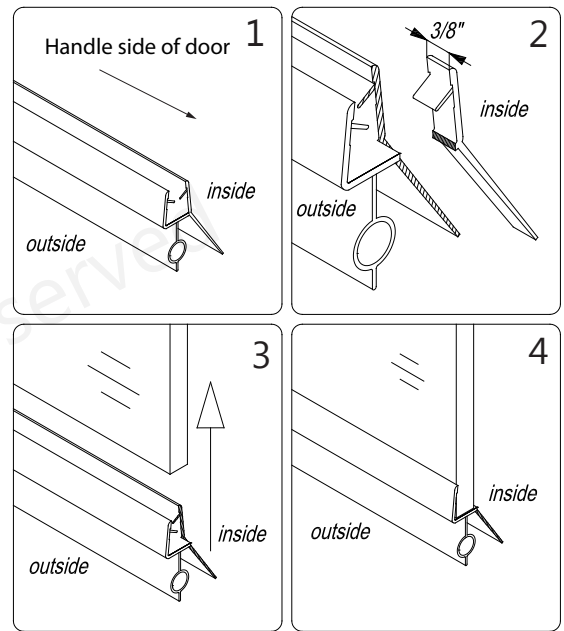


Fig 22

23. To install the **Hinge-Side Vinyl Seal (#33)**, take three measurements :

- from the top edge of the **Door Glass (#01)** to the top of the center portion of the top **Hinge (#06)** (see **Fig 23.1** for an example to use for taking all three measurements)
- from the bottom of the center portion of the top Hinge to the top of the center portion of the bottom **Hinge (#05)**
- from the bottom of the center portion of the bottom **Hinge (#05)** to the threshold

Cut the **Hinge-Side Vinyl Seal (#33)** according to these measurements. Notch the cut strips to slide them into the hinges and around the installed **Bottom Sweep Vinyl (#07)** to cover the space between both glass panels. Open the door and press the cut strips onto the vertical edge of the **Door Glass (#01)** so they will overlap the panel glass. (**Fig 23**)

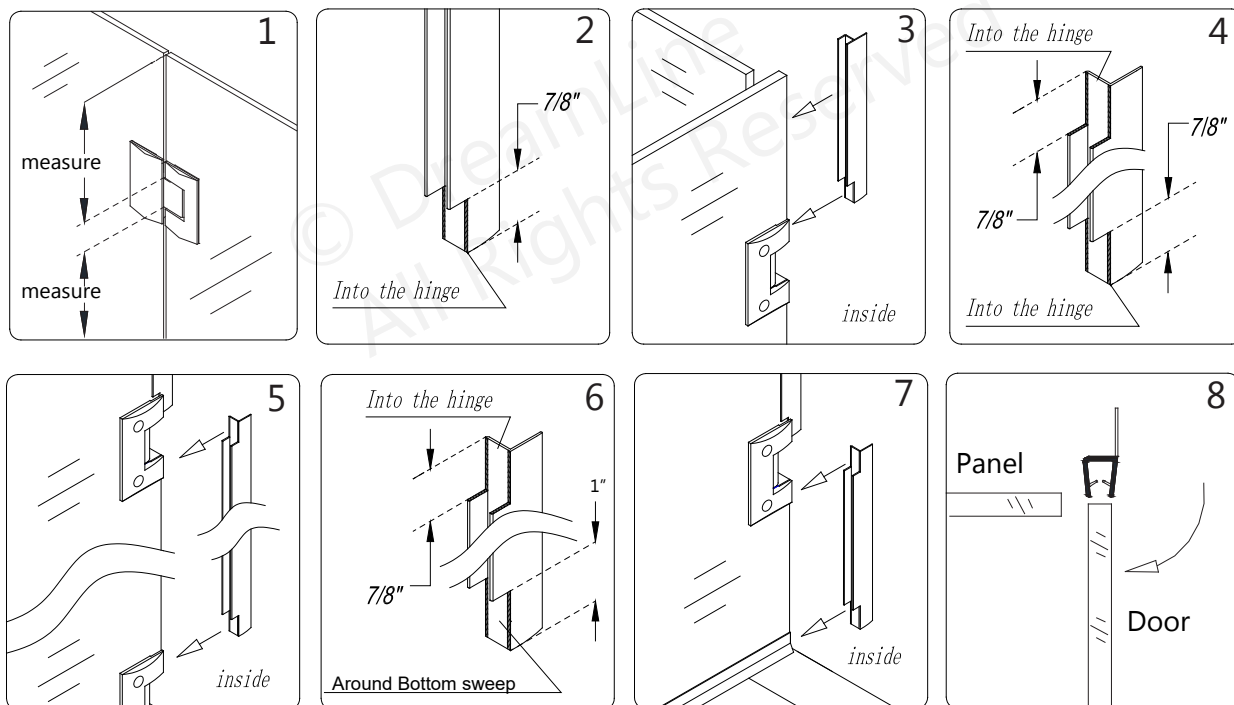


Fig 23

For Style M only: If your model does not include additional panel glass, proceed to the next step to install the **L-Strike Vinyl w/VHB tape (#08)** to the wall.



NOTE: Before installing the L-strike vinyl, refer to the adjustable hinge instructions on Page 27.

Setting the hinges to overclose must be done BEFORE the L-Strike Vinyl w/VHB tape is installed.

ATTENTION:

Prior to the next step, please be sure the section of the wall where you need to attach the **L-Strike Vinyl w/VHB tape (#08)** is clean, dry, and free from soap, oil or construction debris.

24. With the door closed, place the **L-Strike Vinyl w/VHB tape (#08)** on the door edge and mark its location on the wall.

Please note that the corner of the **L-Strike Vinyl w/VHB tape (#08)** should face into the shower. **(Fig 24a.1 and 24a.2)**

With the door open, remove the tape backing from the adhesive strip and firmly press the **L-Strike Vinyl w/VHB tape (#08)** to the wall. Allow time for the adhesive to set before allowing the door to close against the **L-Strike Vinyl w/VHB tape (#08)**. **(Fig 24a)**

NOTE:

Hinges set to overclose require the use of the **L-Strike Vinyl w/VHB tape (#08)** or other strike vinyl that ships with the panel glass.

The above procedure for installing the **L-Strike Vinyl w/VHB tape (#08)** is for the **Unidoor Style M** shower door only. When installing another model style, please refer to the separate panel glass installation manual located in the panel glass packaging for model specific instructions.

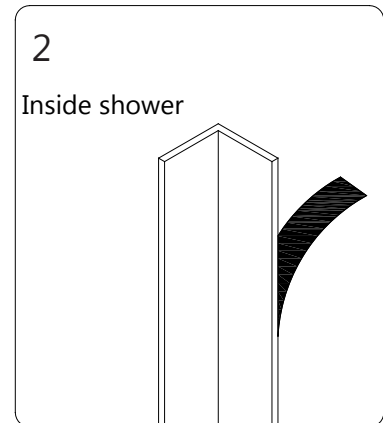
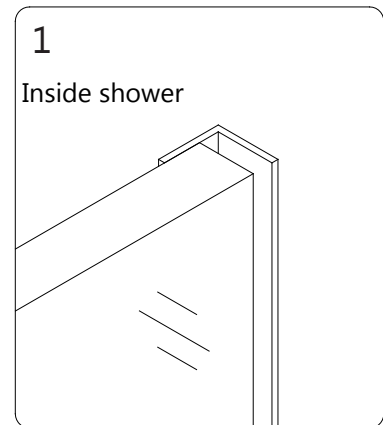


Fig 24a

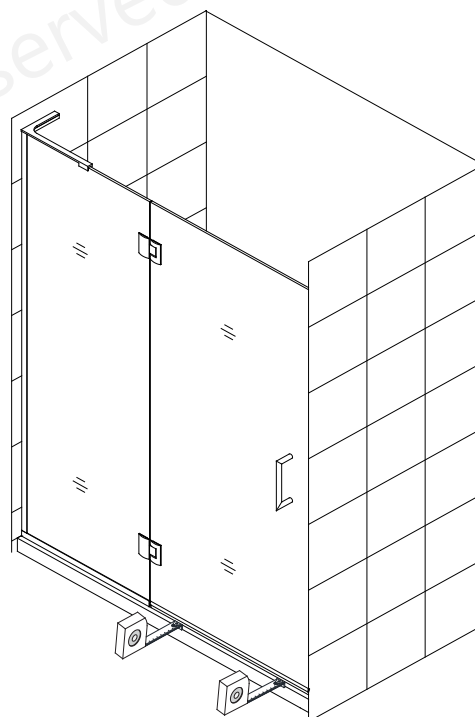
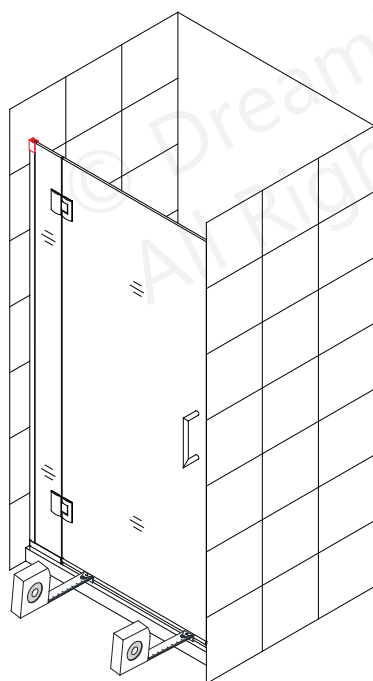
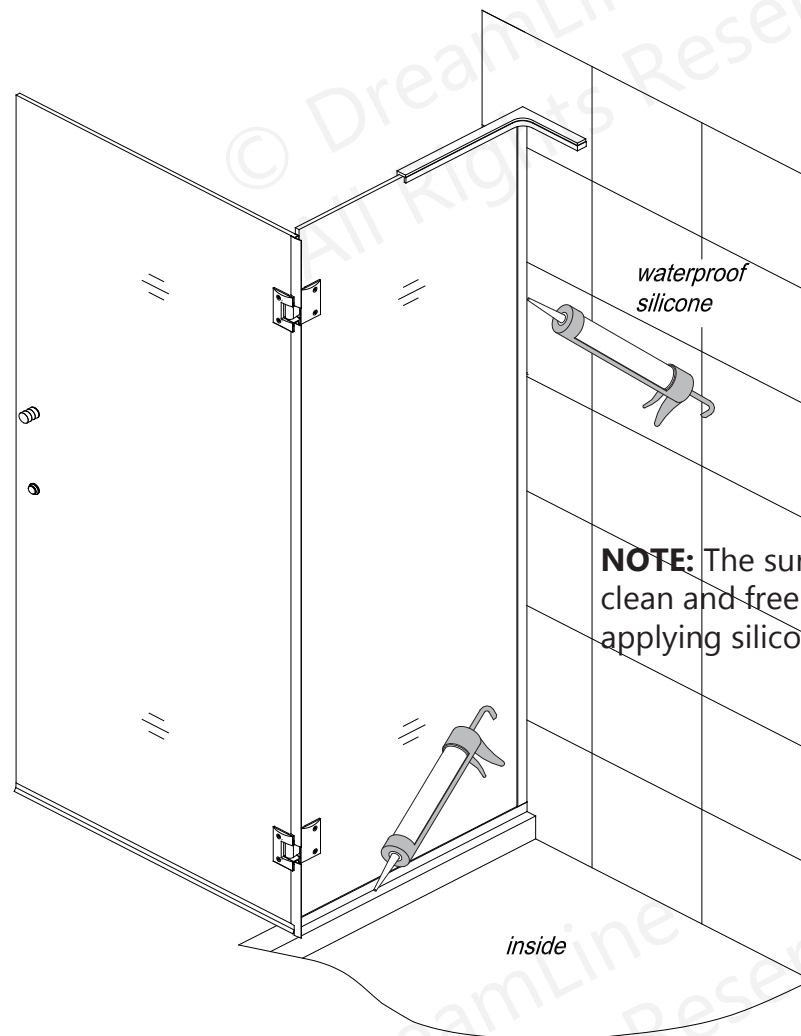


Fig 24b

25. Apply a good quality mildew-resistant/waterproof silicone along the connection of both U-Channels to the wall and threshold on the inside of the shower.

Remove the bottom section of the **Hinge-Side Vinyl Seal (#33)** and let the silicone cure before closing the door to avoid contact with the **Hinge-Side Vinyl Seal (#33)**. **(Fig 25)**



NOTE: The surfaces need to be clean and free of debris before applying silicone.

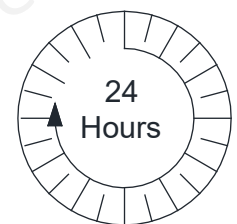


Fig 25

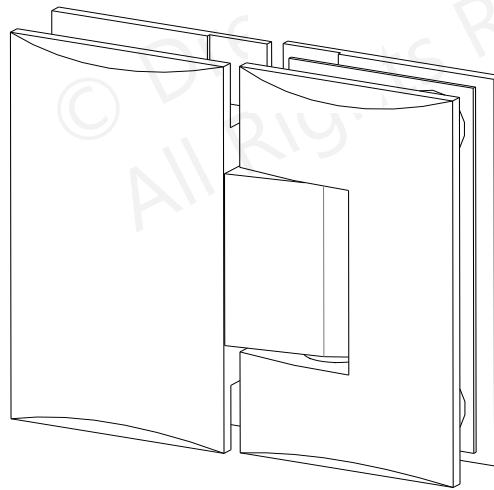


26. Allow 24 hours for the silicone to fully cure before using the shower.



NOTE: If your model includes additional panel glass, locate the manual for the panel glass installation in the panel glass packaging. (See page 4 for details)

HG-PRS20A Adjustable Hinge Manual



Installation & Adjustment

1. Make sure the door glass is plumb and the edge of the hinge is installed flush with the glass edge. Tighten the faceplate screws. (Figure 1)

2. The hinges are set to overclose at 172° degrees. You can change this angle by using the adjustment screws on the hinge plate. (Figure 2)

3. Use the supplied Allen Key to loosen the adjustment screws on the hinge plate, adjust the door to the desired angle then tighten the adjustment screws. (Figure 3)

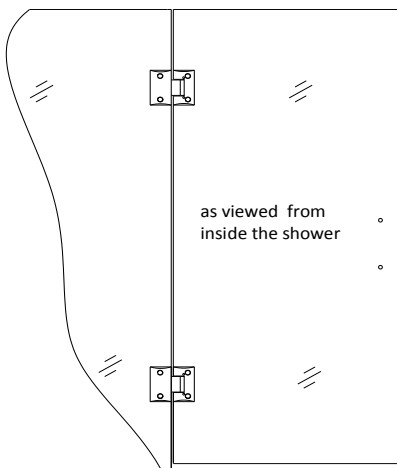


Figure 1

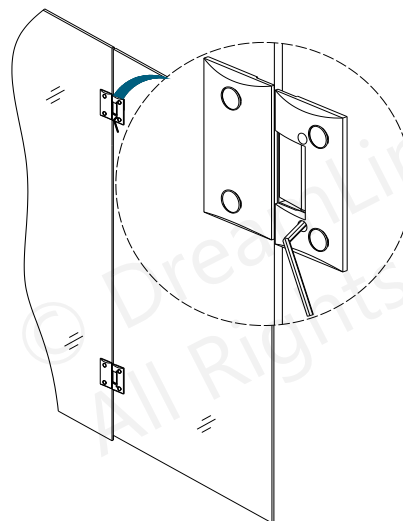


Figure 2

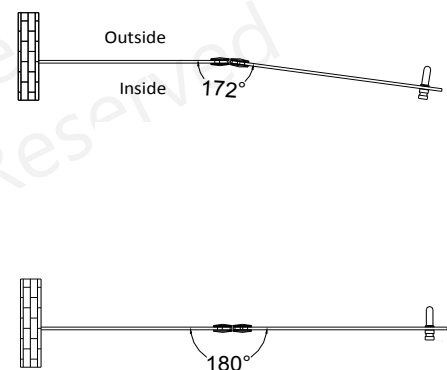


Figure 3

Safe Use & Daily Maintenance

- The overclose setting requires strike vinyl for the door to close against and seal.
- Use a soft cloth to clean the hinge surfaces. Do not use abrasives or acidic liquids as this will damage the finish.
- Be careful not to scratch the finished surfaces of the hinge during installation.



NOTE: Setting the hinges to overclose must be done BEFORE the L-Strike Vinyl w/VHB tape is installed.

Product Maintenance

BASES and BACKWALLS: To ensure long-lasting life for your acrylic back walls: wipe them off after each use with a soft cloth. To clean the acrylic back walls use non-abrasive sprays or cream based cleaners. Avoid the use of aerosol spray cleaners. Never use abrasive cleansers, metal brushes or scrapers that could scratch or dull the surface.

GLASS: To ensure long-lasting life for your glass shower products: wipe them off after each use with a soft cloth. Rinse and wipe off the glass using either a soft cloth or a squeegee to prevent soap buildup and water spots (Hard water can etch the surface of the glass over time if left to dry). To prevent scratching the surface: never use abrasive cleaners or cleaning products that contain scouring agents. Never use bristle brushes or abrasive sponges that may scratch the surface.

HARDWARE: To ensure a long-lasting finish: wipe off the metal parts after each use with a soft cloth. Do not use abrasive cleaners or cleaning products containing ammonia, bleach or acid. If accidentally used, rinse the surface as soon as possible to prevent damage to the finish (peeling or corrosion). After cleaning the polished finishes, rinse thoroughly and wipe dry with soft cloth. Clean stainless steel surfaces at least once a week. When applying stainless steel cleaner or polish to stainless steel hardware, work with (not across) the grain. Never use an abrasive sponge or cloth, steel wool or wired brush as these may permanently scratch the surfaces.

NOTE: To maximize the life of your door, it is important to regularly inspect the glass and other hardware for misalignment, proper attachment, and/or damage. Contact DreamLine with any questions or concerns.

© DreamLine
All Rights Reserved



© DreamLine
All Rights Reserved

TEL: 866-731-2244
FAX: 866-857-3638
DREAMLINE.COM

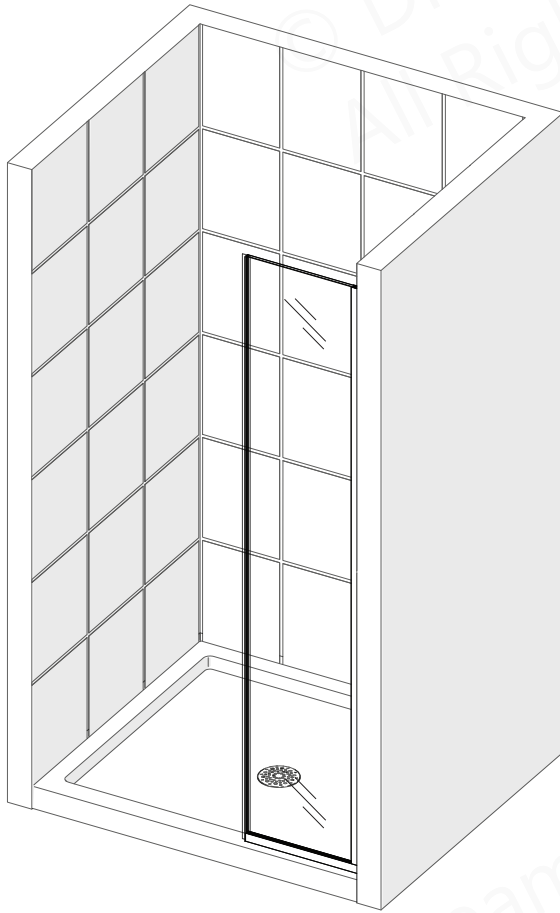


For more information on DreamLine® Shower Doors and Enclosures please visit [DreamLine.com](https://www.DreamLine.com)

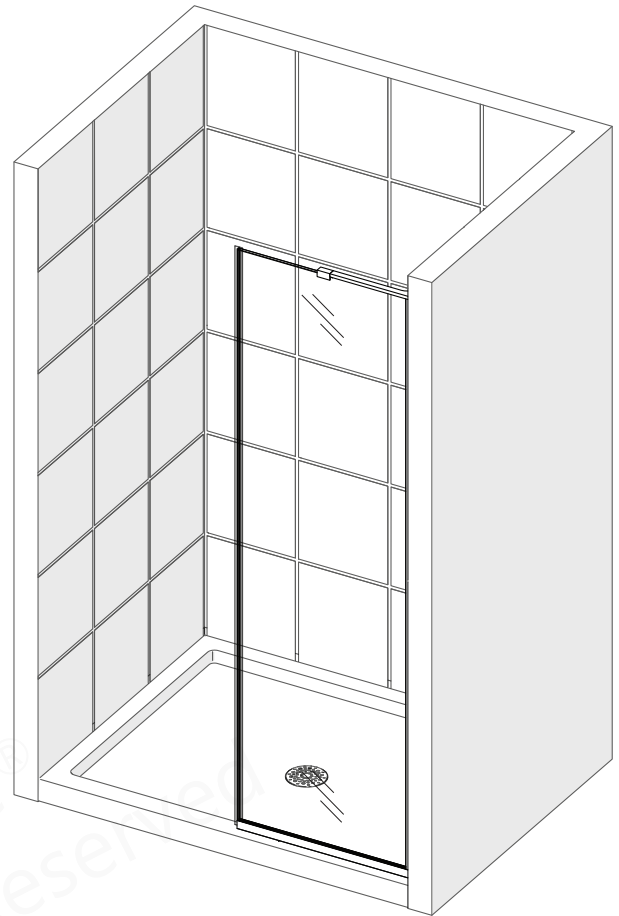
INLINE PANEL (STYLE F)

INLINE PANEL GLASS INSTALLATION INSTRUCTIONS

PLEASE REVIEW THIS ENTIRE MANUAL PRIOR TO INSTALLATION



right-hand inline panel installation shown



*with L-Bar™ support bracket

*L-Bar™ only included with ELEGANCE PLUS models with nominal panel glass sizes 22", 22-1/2", 30", 30-1/2" & 34"

IMPORTANT!

DreamLine® reserves the right to alter, modify or redesign products at any time without prior notice for the purpose of product improvement and customer experience. Please refer to the model's web page on **DreamLine.com** for the latest technical drawings, installation manuals, warranty information or additional product details.

Do Not Return Product to the Store. Contact DreamLine® with any questions



Questions?

Please Call **DreamLine Customer Support: 1-866-731-2244**
Hours of Operation M-F 8AM - 6PM EST

Support@DreamLine.com





This model is treated with DreamLine’s exclusive ClearMax™ Glass technology. This is a specially formulated coating that prevents the build up of soap and water spots.

Install the surface with the ClearMax™ label towards the inside of the shower. Please note that depending on the model, the glass may be coated on either one or both surfaces.

For best results, squeegee the glass after each use and dry with a soft cloth.

Record the following purchase information for your records or in the event you need to contact DreamLine®:

Purchase Order Number _____

Store/Vendor Purchased From _____

Installation Date _____

OD Number (optional) _____
located on the shipping box or label if available.

Installed By: _____

SKU Number _____

Table of Contents

Section Title	Page #
ClearMax™ Coating Information	—
Warnings and General Preparaton	2
Model Specific Preparation	3
Tools	4
Detailed Diagram of Inline Panel Glass Components	5
Parts List	6
Installation Steps	7-26
180° Strike Vinyl Installation	21
Reversible L-Bar™ Installation (*for ELEGANCE PLUS model only)	23-26
Product Maintenance	27
Reversible L-Bar™ Feature	28-29
Troubleshooting	30
Factory Parts Information	31
Product SKUs	32-33

Symbol Legend



TIP - for ease of installation.



CORRECT - recommended.



NOTE - take note of special feature; additional information.

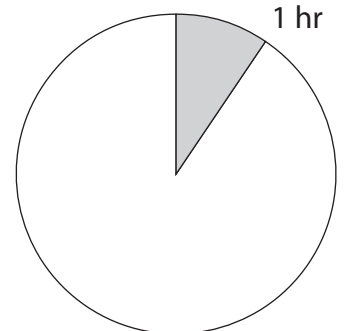


INCORRECT - not recommended.



REQUIRED - requires special attention; signifies a warning.

Average Installation Time





IMPORTANT

- DreamLine® reserves the right to alter, modify or redesign products any time without prior notice for product improvement and customer experience. Please refer to the model's web page on DreamLine.com for the latest technical drawings, installation manuals, warranty information or additional product details.
- This product should be installed by someone familiar with the construction requirements for this type of project and the care necessary for the safe installation and operation of the product.
- The safety of any installation is the responsibility of the installer.
- Professional installation recommended. (All Models)
- Professional installation required. (Enigma Series)
- To prevent damage or serious injury, Do Not lean against the installed panel/door/glass.
- To prevent damage or serious injury: Do Not attempt to lift or move a heavy lite of glass alone. Use an assistant and/or a professional grade glass suction cup.
- The installation of some models may require drilling down into the threshold. Contact the manufacturer of the base, tub, or threshold material with any questions regarding the drilling of holes into their product.
- All drawings in this installation manual are for illustrative purposes only and are not drawn to scale.

GENERAL PREPARATION

- After opening all boxes and packages, read this introduction carefully. Check that all the items are included in the package by marking off the components on the "Detailed Diagram of Product Components" page. Examine all boxes and packages for shipping damage. If the unit has been damaged, has a finishing defect, or is missing parts; please contact our Customer Support department within 3 business days of the delivery date. **Please note that DreamLine® will not replace any damaged products or missing parts free of charge after 3 business days or if the product has been installed.** Please contact DreamLine® if you have any questions.
- **Please note that you should refer to your local building codes with questions on installation compliance standards. Building and plumbing codes may vary by location, and DreamLine® is not responsible for code compliance standards for your project and will not accept any returns.**
- If this unit is going to be installed in a new construction, install all the required plumbing and drainage before installing the shower. **Use a competent and licensed (if required by local code) plumber for all plumbing installation.**
- Make sure that prior to beginning the installation, the surfaces are leveled and solid and will be able to support the total weight of the unit. Also make sure the walls are at right angles. Irregular installation surface level, radius corners or improper angle of side walls will result in serious problems for your installation. Please note that some adjustments and drilling will be necessary during the installation process.
- Protect all primary surfaces of the product during installation. Never set your glass down directly onto a tile floor. Leave corner protectors in place until it is necessary to remove them. Always use a piece of wood or cardboard to protect the bottom edge and corners of the glass prior to and during installation.
- This unit must be installed upon a finished threshold and against finished walls.
- *DreamLine® shower doors are not designed to be installed into a fiberglass surround due to the radius corners and lack of a solid surface to mount the hardware.*

TEMPERED GLASS WARNING

- Your Shower Door Glass Could Shatter Without Warning if Improperly Installed or Mishandled
- Do Not install or operate a shower door if the glass has chipped corners, slivered edges or is otherwise damaged and/or has been dropped or banged into a hard surface such as tile, marble or glass.
- **The main causes of tempered glass breakage are:**
 - Improper handling, storage or installation
 - Misuse/abuse
 - Lack of maintenance
 - Failure to replace damaged glass
 - **Improper handling during storage, unpacking and installation:**
 - Corners and edges are the most susceptible area to damage on a lite of tempered glass and should be protected and handled with care during storage, unpacking, installation and operation. A concentrated point of pressure or impact with a surface harder than itself may cause the tempered glass to shatter. The tempered glass may release immediately, within several hours or even days later.
 - **Incorrect installation of door hardware, rollers, hinges, channels, stopper or glass:**
 - Improper installation may include: loose hardware and/or lack of proper gaskets between the hardware and glass. Additionally, improper alignment of guide rails, wall profiles or other hardware during installation or operation may place stress on the glass edges and cause it to break.
 - This product must be installed by a professional and experienced installer familiar with the safe handling of tempered glass.
 - **Improper use of this product:**
 - Aggressively opening or closing the door may cause trauma to the glass, which can lead to breakage. This may occur immediately or hours or even days later.
 - **The shower door hardware and glass should be inspected periodically:**
 - Instruct the homeowner how to perform a periodic inspection of the shower hardware and glass - some minor adjustments may be necessary based upon the use (or misuse) of the shower door. Ensure that the hardware remains tight and that the door alignment and operation are correct. Any adjustments should be made upon discovery to prevent damage to the product.
 - Additional considerations should be given to the installation of frameless tempered glass products in households with young children or an elderly person due to an increased chance of improper handling. In such cases, alternatives such as shower curtains or grab bars should be considered.

WARNING: TO AVOID THE RISK OF DAMAGE OR INJURY:

- **Follow all recommendations and requirements as shown in the installation instructions.**
- Perform a thorough inspection of the glass and all parts for any damage prior to installation. Any damage to tempered glass can cause breakage. **Do Not install damaged glass!**
- Do Not install or operate a shower or tub door if the glass has chipped corners, slivered edges or is otherwise damaged. Do Not install or operate a shower or tub door that has been dropped or banged into a hard surface such as tile, marble or glass.
- **CAUTION:** Contact with any hard surface can damage tempered glass and cause it to shatter.
- This product uses tempered glass. Glass cannot be cut after it has been tempered. **Do Not attempt to cut tempered glass.**
- DreamLine® Glass Shower doors, Tub doors, Inline panels, and Return panels can shatter due to improper handling or lack of maintenance. Conduct periodic inspections of glass and all parts for possible damage, missing or loose parts.
- Always wear proper safety equipment such as: safety goggles, work gloves and appropriate footwear during the installation process.
- **WARNING. Risk of leakage and/or damage.** Follow all instructions regarding the application of silicone sealant or caulk. Allow 24 hours for the sealant to cure before the initial use of the shower or tub product. Follow the silicone manufacturer's recommendations regarding the use of their product.
- **Thoroughly read these instructions before installing or using this product.**
- **Leave this manual for the end-user of the product.**



This product should be installed by someone familiar with the construction requirements for this type of project and the care necessary for the safe installation and operation of the product.

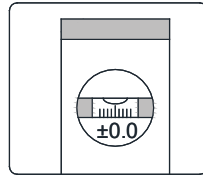


Professional Installation recommended.

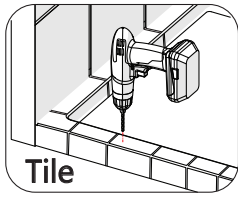
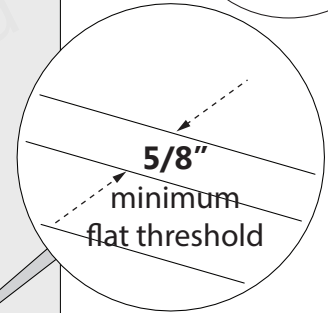
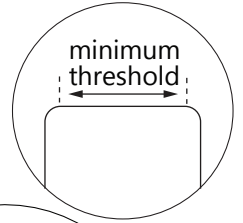
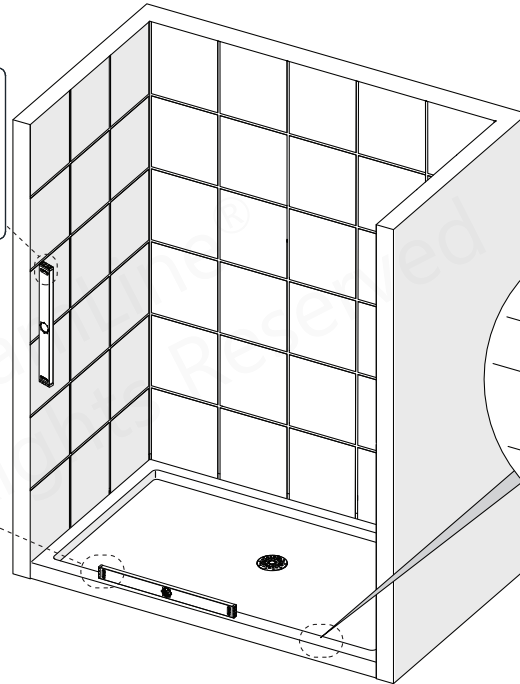
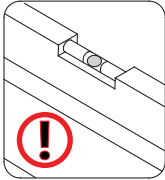
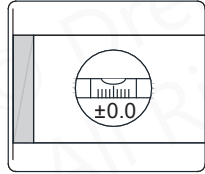
Model Specific Preparation

! REQUIRED:

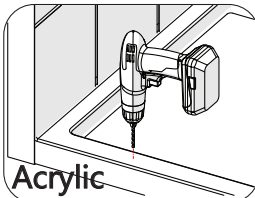
1/2" Out-of-Plumb Adjustment with the Inline Panel; Verify threshold and walls with a level



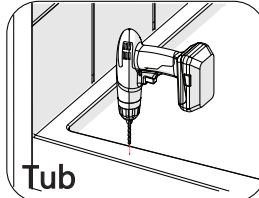
Threshold must be level



Tile



Acrylic



Tub

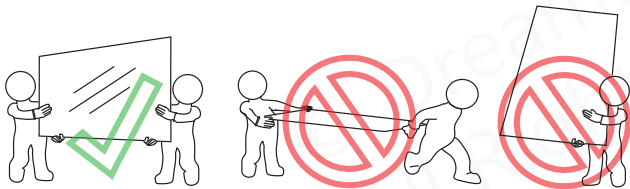


Contact the manufacturer of the base, tub or threshold material with any questions regarding the drilling of holes into their product.

right-hand orientation shown



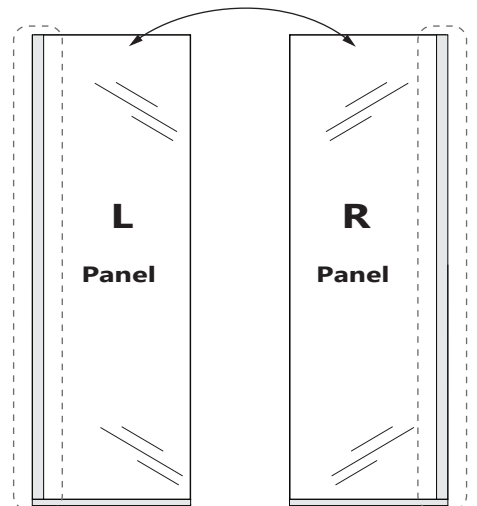
***For ELEGANCE PLUS model only:** this manual will describe the Inline Panel installation using the Reversible L-Bar™ in the right-handed orientation (as shown above). To reverse the L-Bar™ orientation please refer to pages 28-29.



This door recommends professional installation. Two installers recommended.



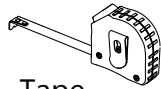
This Inline Panel is reversible for right or left inline panel installation. The right-hand inline panel installation is shown as an example throughout this manual. For the left-hand inline panel installation, simply begin on the opposite wall and reverse the orientation of the installation steps shown.



Tools



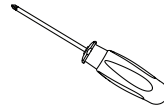
Level



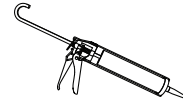
Tape Measure



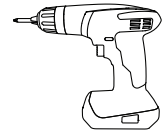
Pencil



#2 Phillips Screwdriver



100 % Silicone



Power Drill



Drill Bit
Ø1/8"
(3mm)



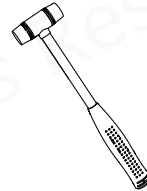
Drill Bit
Ø3/16"
(4mm)



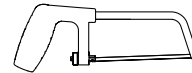
Drill Bit
Ø5/16"
(8mm)



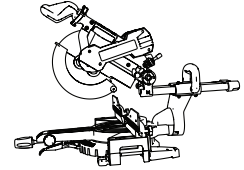
#2 Phillips Driver Bit



Soft Head Hammer



Hacksaw



OR
Mitre Saw



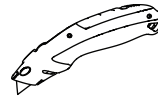
Metal File



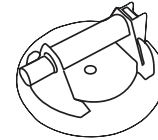
Safety Glasses



Work Gloves



Razor Knife



Professional-grade
Glass Suction Cup
(optional but recommended)



Measure the finished opening before proceeding with the installation to be sure that the correct model size has been ordered.

Use a good quality waterproof, mildew-resistant 100% silicone.

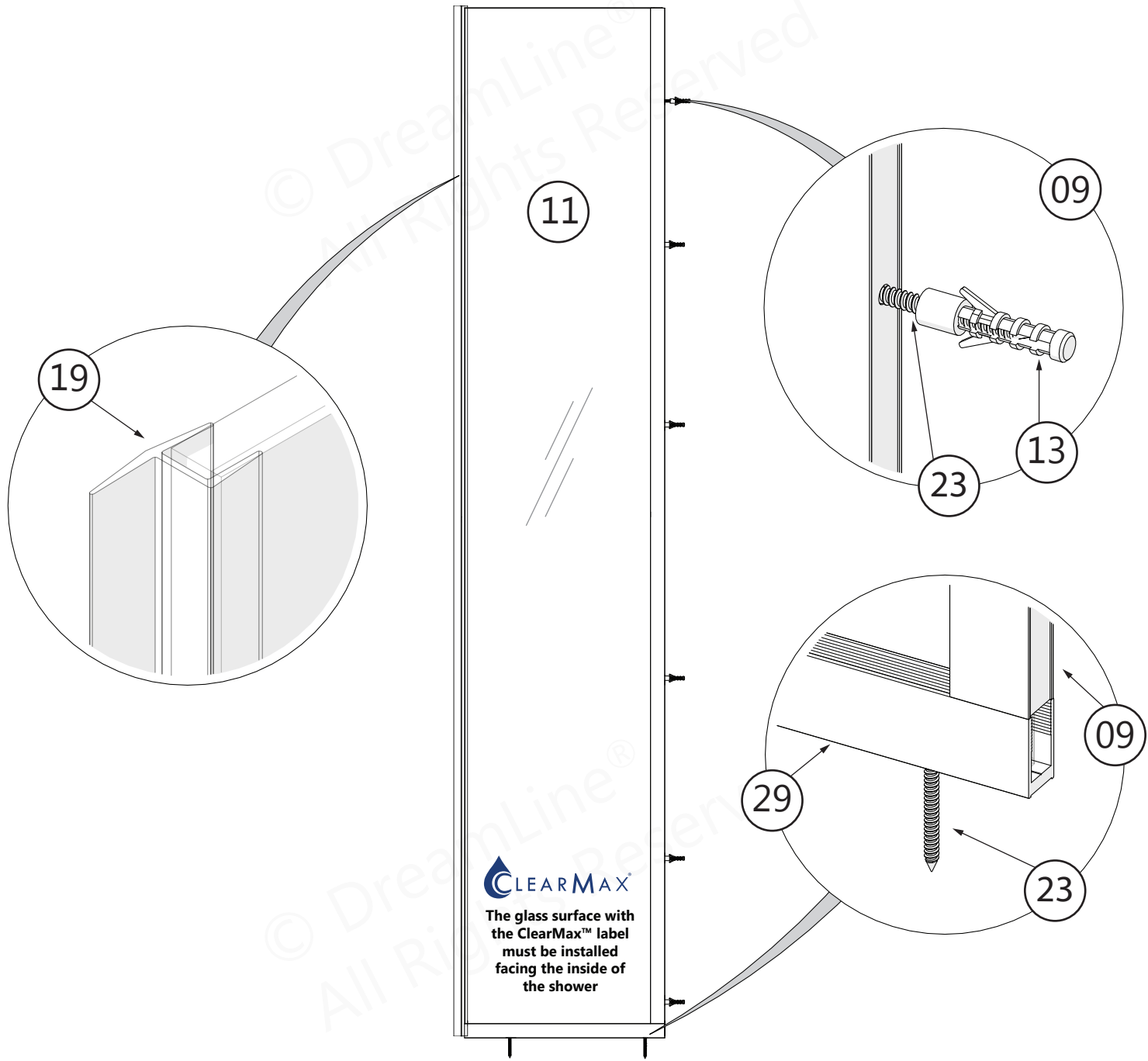
Cover the shower drain with tape prior to installation to prevent the loss of screws or small parts.

To prevent stripping the screw heads, set power drill to a low setting when installing screws.



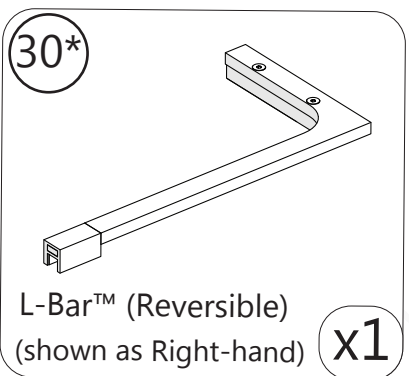
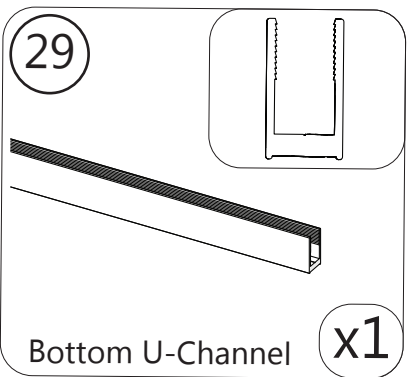
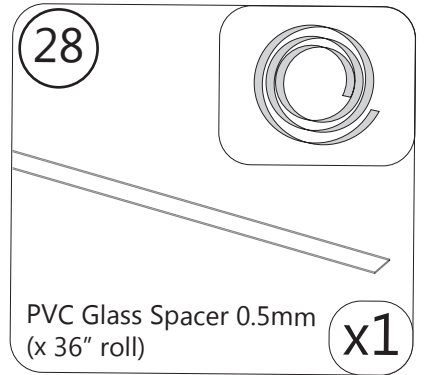
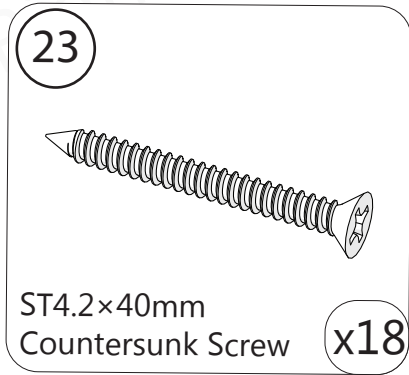
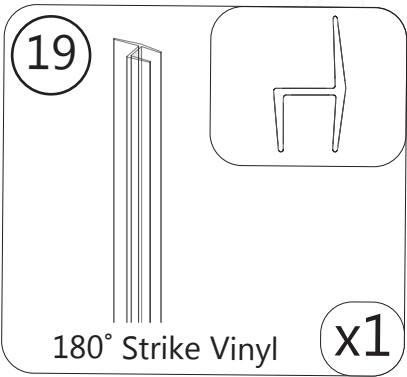
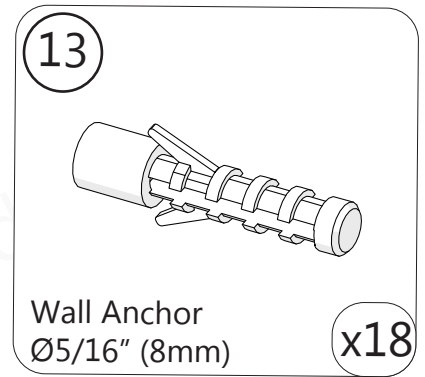
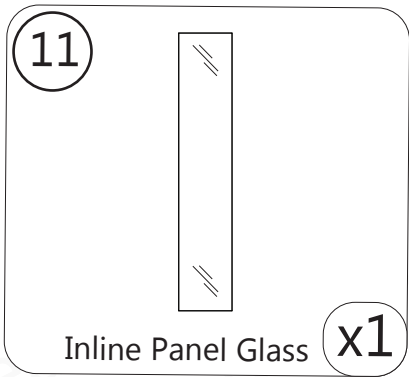
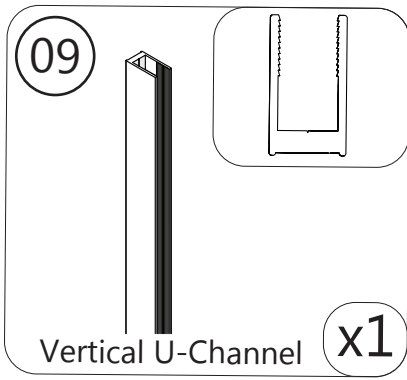
Unpack your unit carefully and inspect it. Lay it out and identify all parts using the **Detailed Diagram** on page 5; and parts list in this manual as a reference. Before discarding the carton, check for small hardware bags that may have fallen to the bottom of the box. If any parts are damaged or missing, please contact DreamLine® for replacement. The shipping boxes may contain extra parts not used in your model configuration. Retain these installation instructions for future reference.

Detailed Diagram of Inline Panel Glass Components

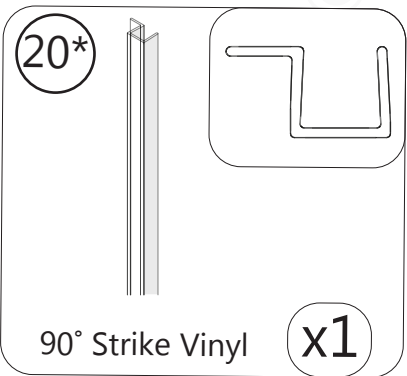


right-hand panel installation shown

Parts List



***L-Bar™ only available with ELEGANCE PLUS models with inline panel glass of: 22", 22-1/2", 30", 30-1/2", 34"**



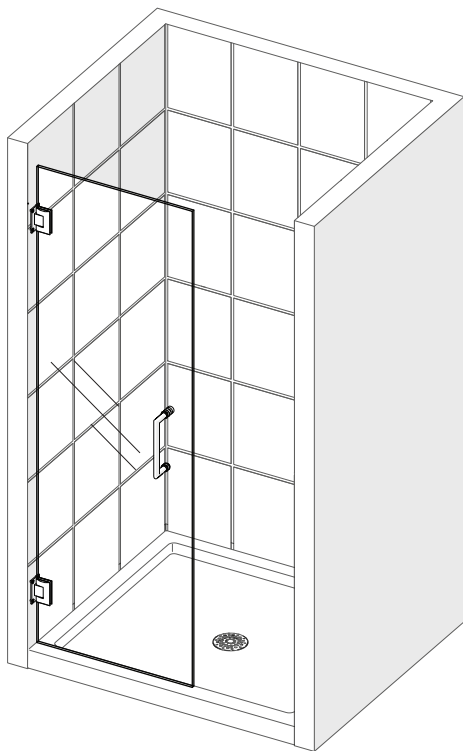
***90° Strike Vinyl is packaged with 30" or larger Panel Glass and is only used with specific enclosure models; The 90° Strike Vinyl is not used for this inline panel installation.**

The Unidoor Plus, Unidoor-X or Elegance Plus Shower Door must be installed prior to proceeding with the following Inline Panel Glass installation instructions.

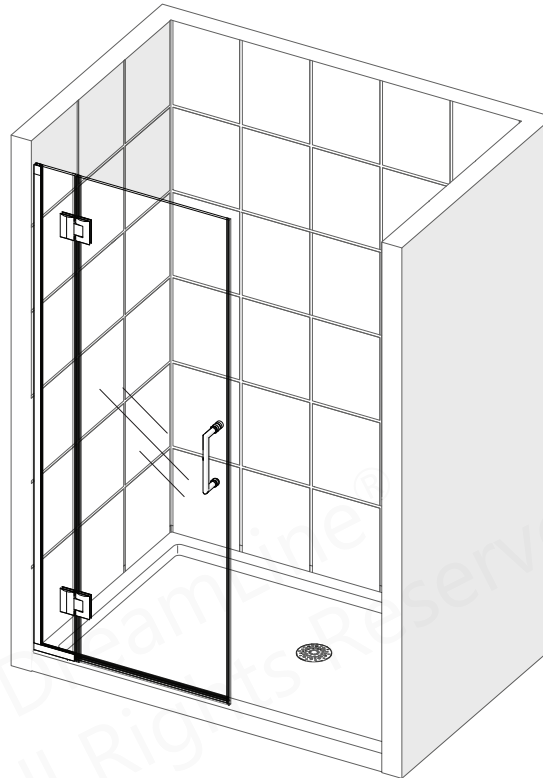


Please see the Single Shower Door Installation Manual packaged with the door glass (or the UNIDOOR-X installation manual that is packaged with the hinge panel glass for glass-to-glass hinge door models) for complete shower door installation instructions.

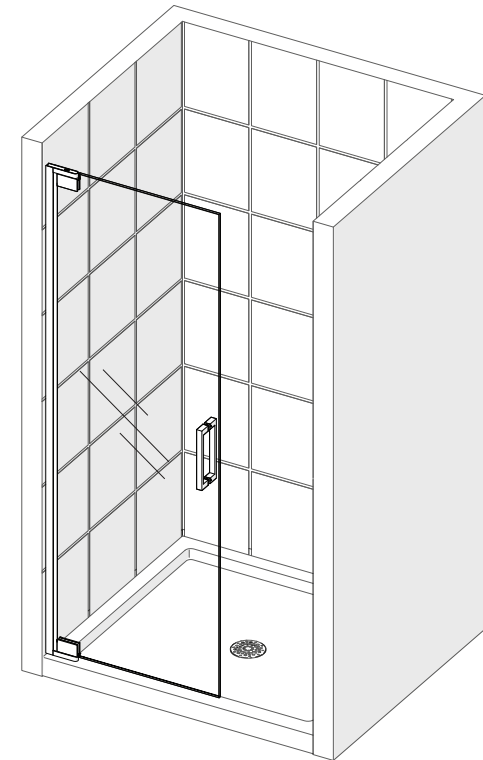
Before you begin the installation, recheck the finished opening size, the walls for plumb and the threshold for level. Specific model size information can be found on DreamLine.com



UNIDOOR PLUS
-Glass-to-wall Hinge door



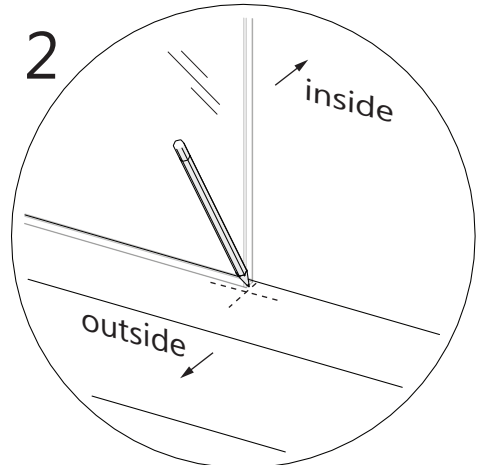
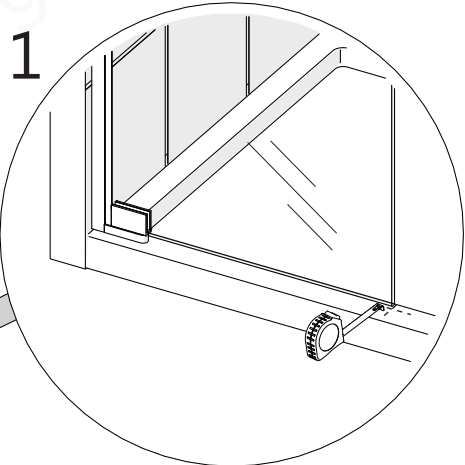
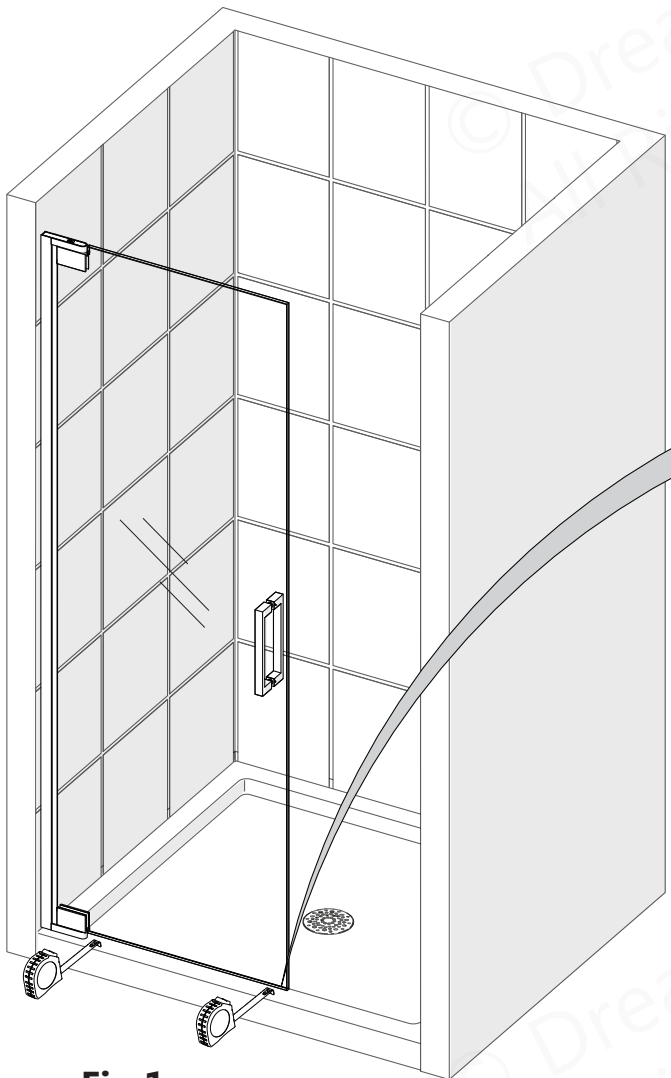
UNIDOOR-X
-Glass-to-glass Hinge door



ELEGANCE PLUS
-Pivot Hinge door

Installation Steps

1



TIP

To assist with aligning the **InLine Panel Glass (#11)** with the pre-installed Door Glass, hold the door glass parallel with the outside of the threshold and mark a reference line on the threshold.

Fig 1

NOTE

The ELEGANCE PLUS shower door is shown as an example throughout this manual

Tools Needed

2

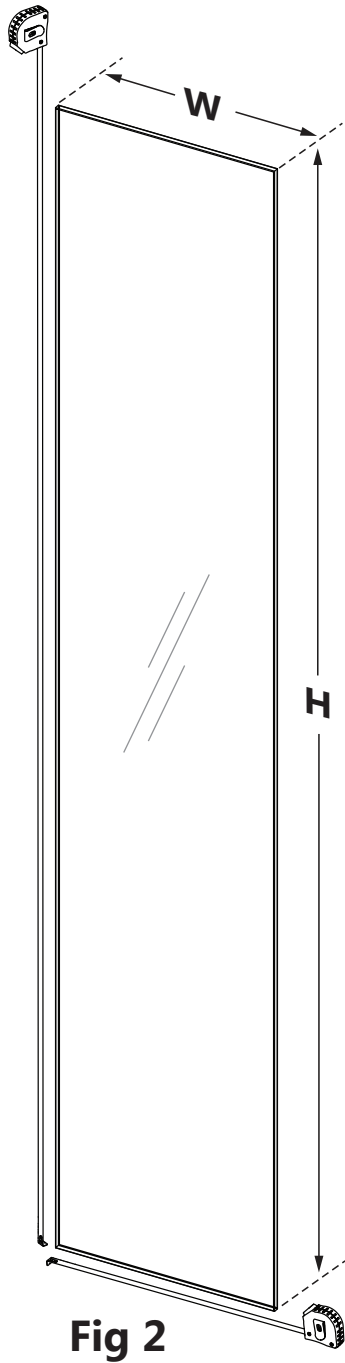


Fig 2

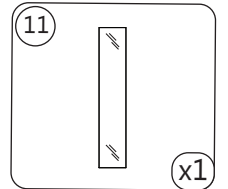
Glass Width (W)

A rounded rectangular box with a pencil icon pointing to it, intended for writing the glass width measurement.

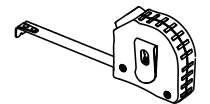
Glass Height (H)

A rounded rectangular box with a pencil icon pointing to it, intended for writing the glass height measurement.

Parts Needed

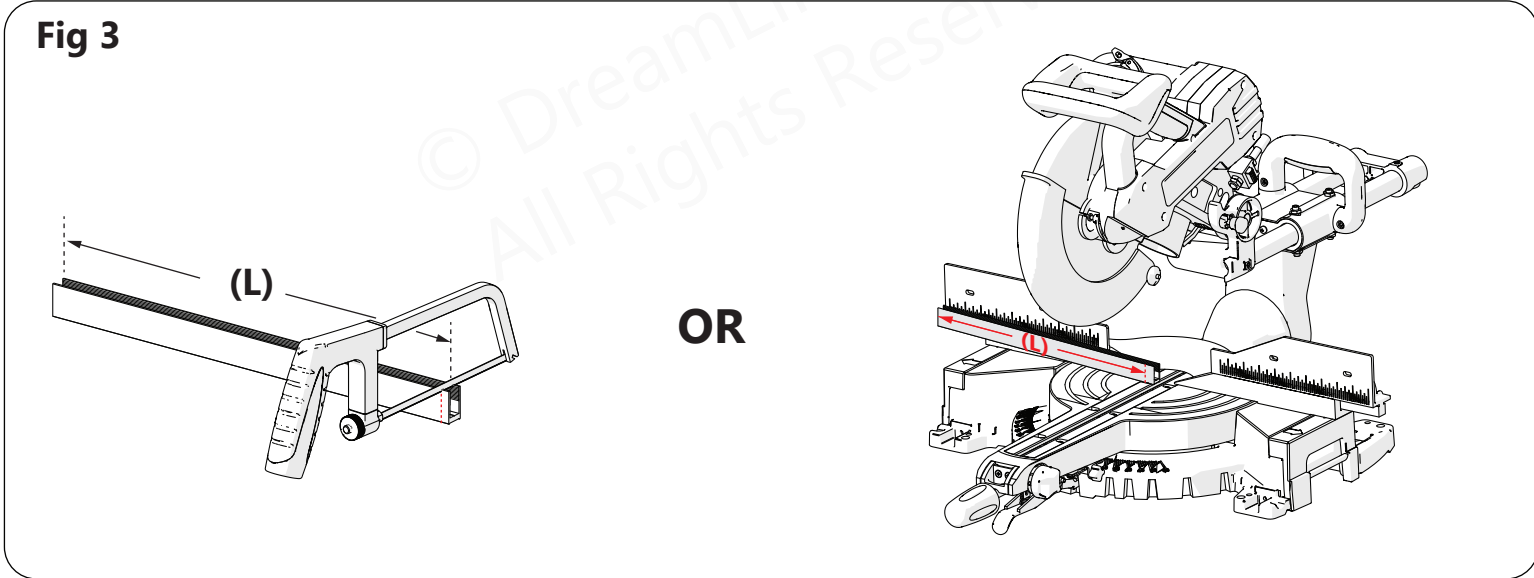


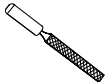
Tools Needed

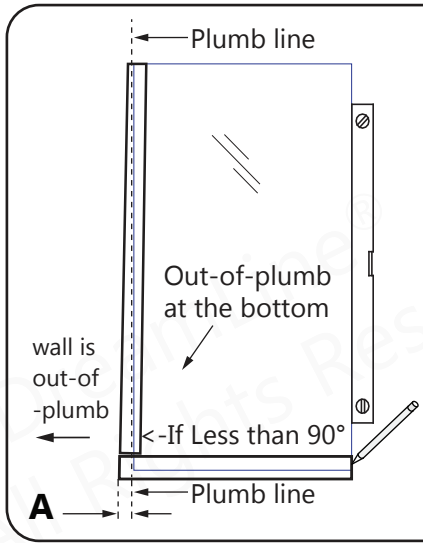


3

Cut the Bottom U-Channel to:
Glass Width (W) + 3/16" = (L)** (see exception below)



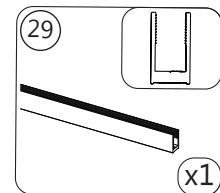
 Use a metal file to deburr the cut end



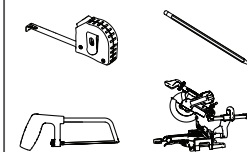
****EXCEPTION:**
If the wall is out-of-plumb at the bottom, measure that dimension as (A) and add (A) to the finished cut length of the U-channel (+1/2" max):

Glass Width + 3/16" + (A) = Finished cut length (L)

Parts Needed

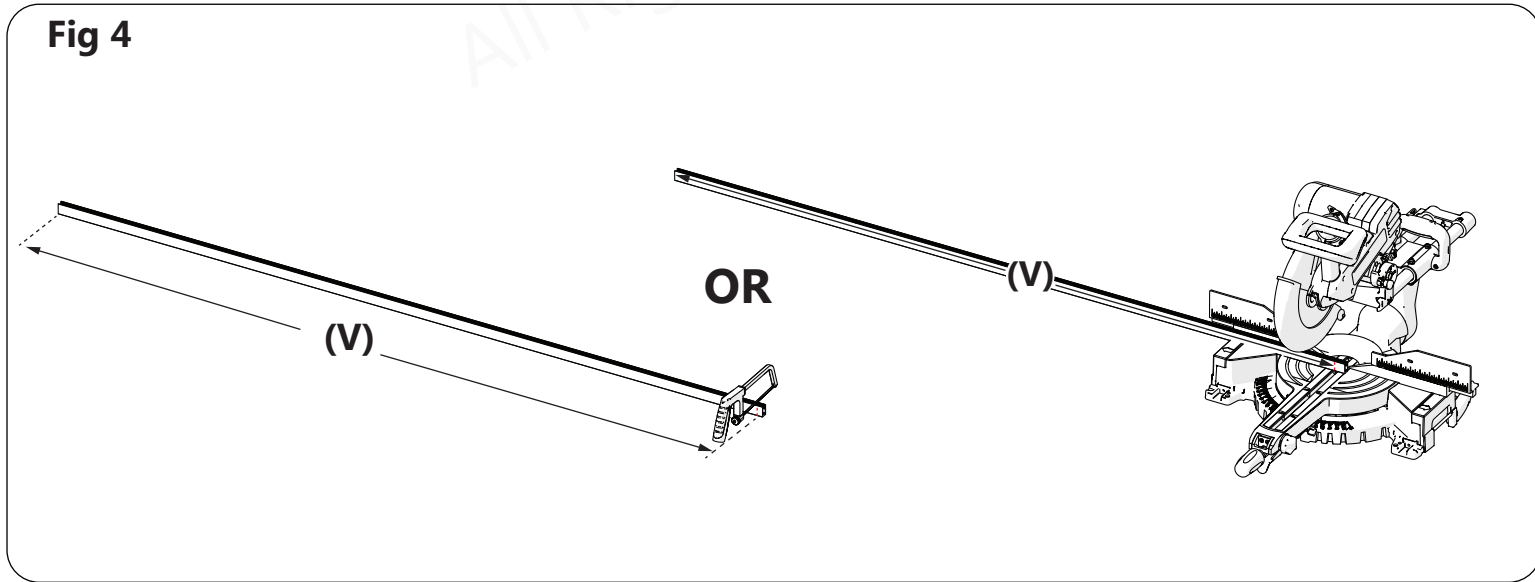


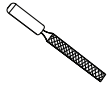
Tools Needed



4

**Cut the Vertical U-Channel to:
Glass Height H (-) 13/16" = V
(for 72" model height, V= 71" (1803.6mm))**

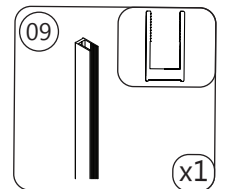


 Use a metal file to deburr the cut end

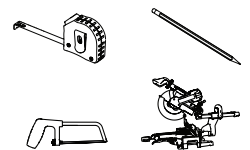


NOTE: Cut the vertical u-channel to 71" for the standard 72" model height

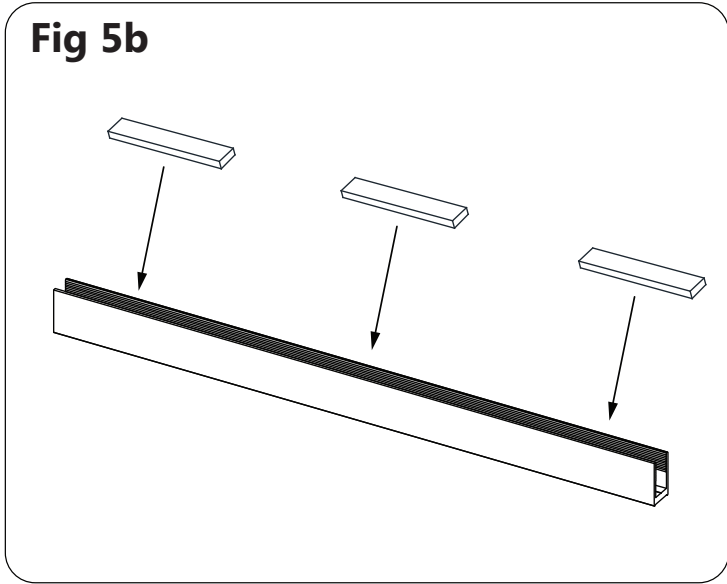
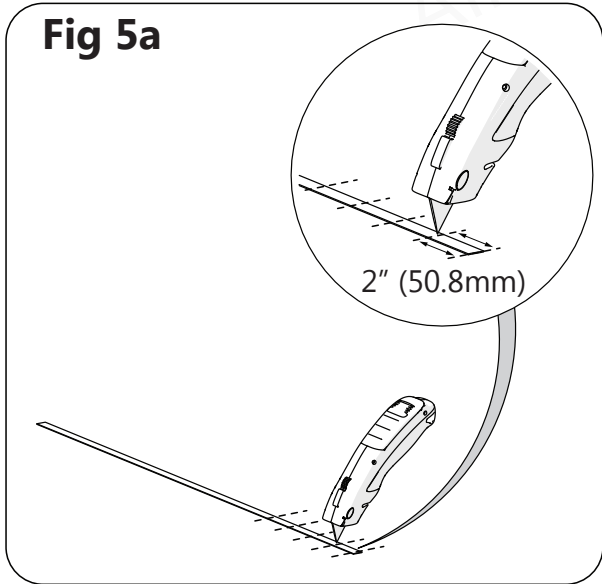
Parts Needed



Tools Needed

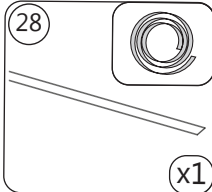


5



**Cut several 2" - 3" pieces of the PVC Glass Spacer 0.5mm (#28).
DO NOT install one long continuous piece into the Bottom (#29) U-Channel**

Parts Needed



Tools Needed



6

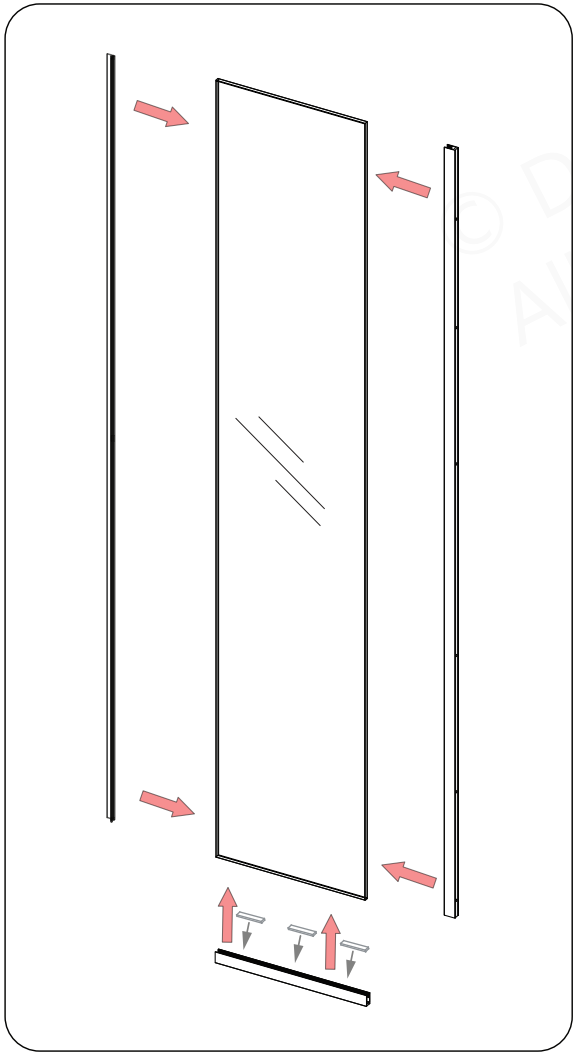


Fig 6a

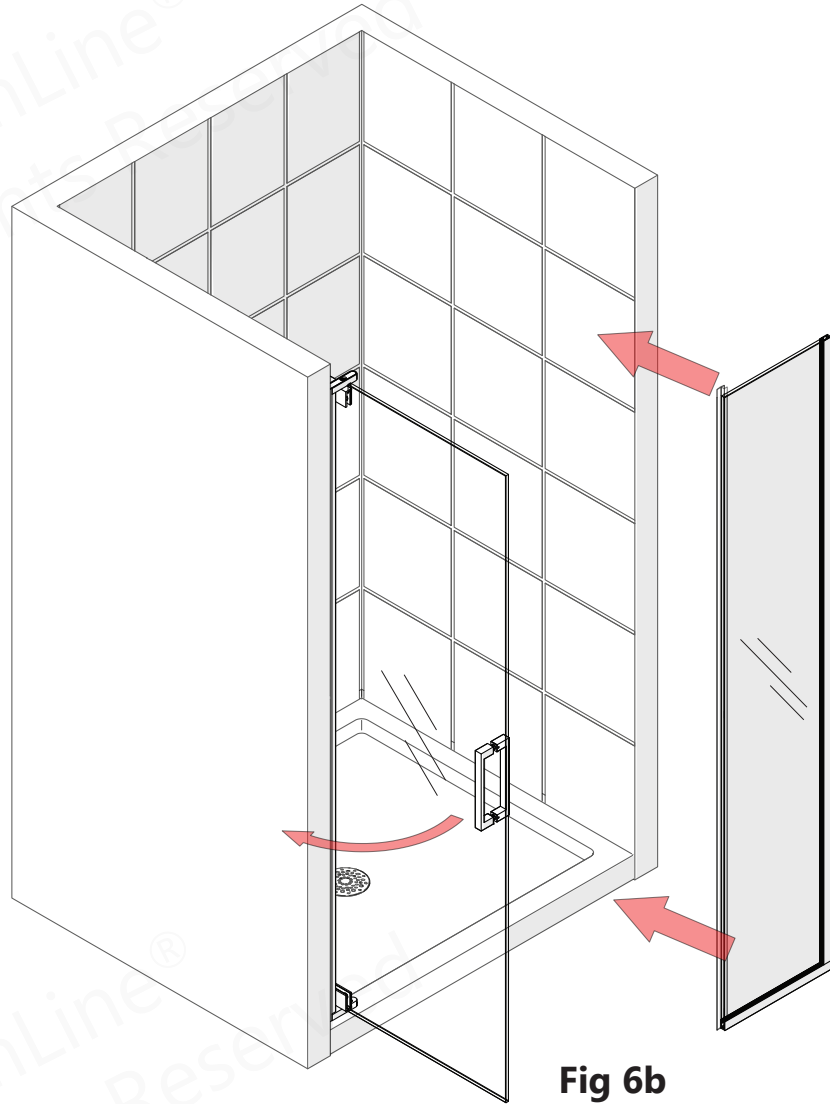
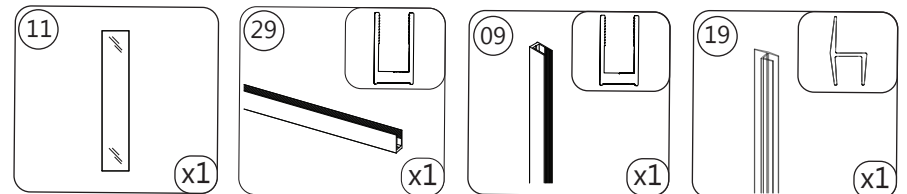


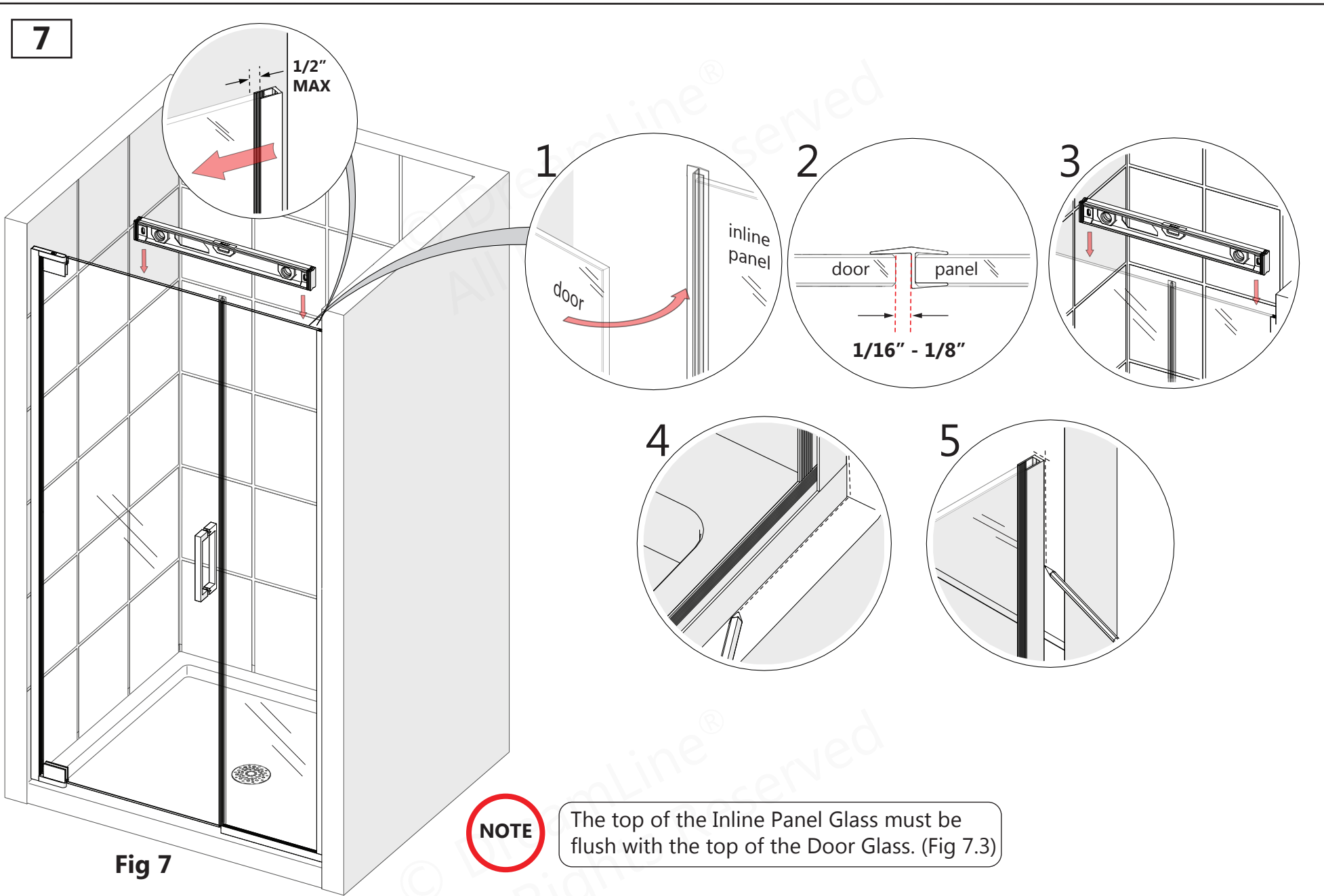
Fig 6b



The **180° Strike Vinyl (#19)** will extend above the panel glass for now, but will be notched to fit around the bottom u-channel. See step#14.

Parts Needed





7

Fig 7

NOTE

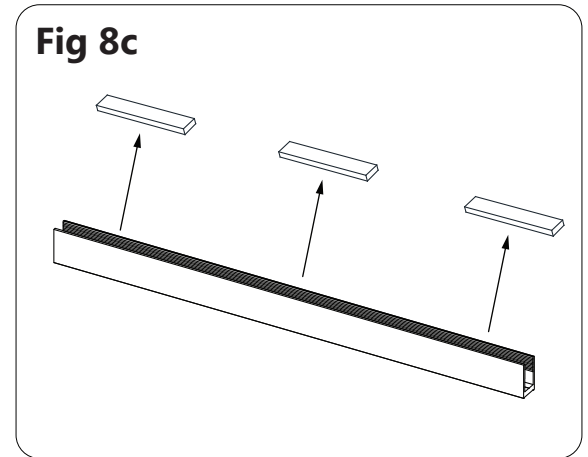
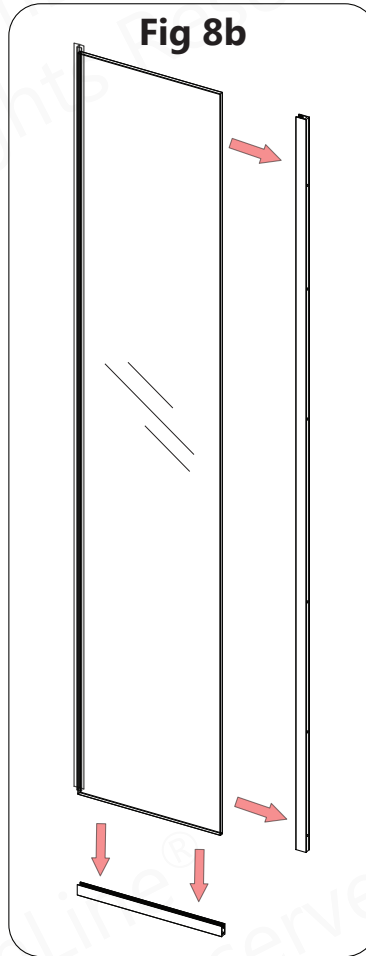
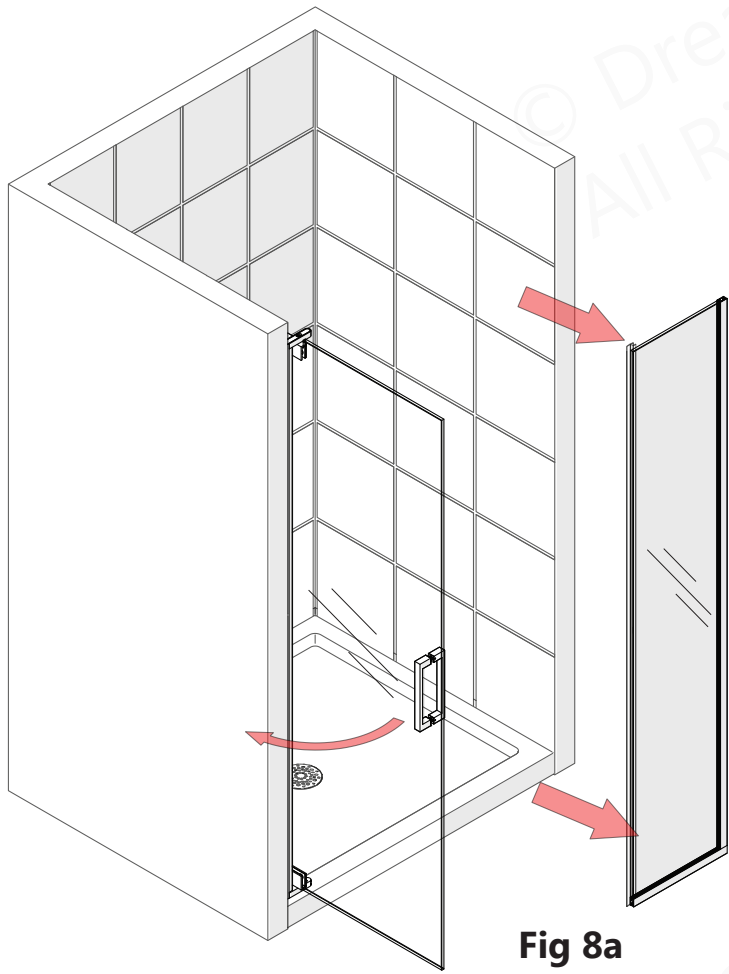
The top of the Inline Panel Glass must be flush with the top of the Door Glass. (Fig 7.3)

NOTE

The **Vertical U-Channel (#09)** will allow for up to 1/2" of out-of-plumb adjustment. Confirm that the **Inline Panel Glass (#11)** is aligned properly with the installed door before marking the positions of the u-channels.

Tools Needed

8



Remove the PVC Glass Spacers 0.5mm (#28) from the Bottom U-Channel (#29). (Fig 8c) These must be reinstalled in step #12.

9

NOTE

The surfaces need to be clean and free of debris before applying silicone.

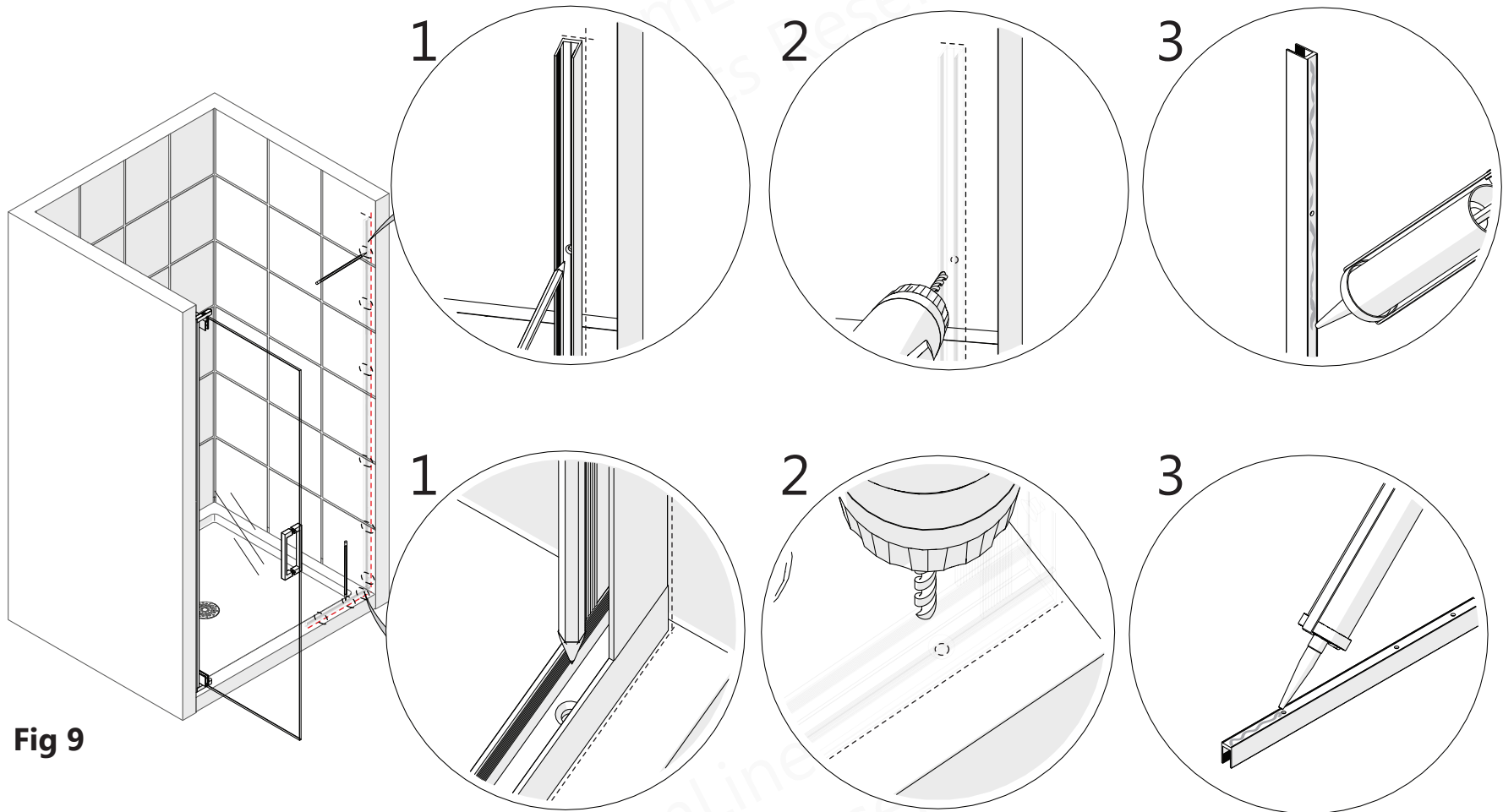


Fig 9

NOTE

▪ For installation into an **Acrylic Threshold**:
drill an $\text{Ø}1/8''$ (3mm) hole and use the
ST4.2 x 40mm Countersunk Screw (#23)

OR

▪ For installation into a **Tile Threshold**:
drill a $\text{Ø}3/16''$ (4.76mm) hole up to the stud,
drill an $\text{Ø}1/8''$ (3mm) pilot hole into the stud
and use the **ST4.2 x 40mm Countersunk Screw (#23)**

▪ **If a stud is present behind the wall:**

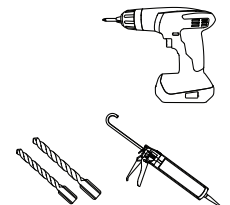
drill a $\text{Ø}3/16''$ (4.76mm) hole up to the stud,
drill an $\text{Ø}1/8''$ (3mm) pilot hole into the stud and use the
ST4.2 x 40mm Countersunk Screws (#23)

OR

▪ **If no stud is present behind the wall:**

drill a $\text{Ø}5/16''$ (8mm) hole and insert the **Wall Anchors (#13)**
and use the **ST4.2 x 40mm Countersunk Screws (#23)**.

Tools Needed



10

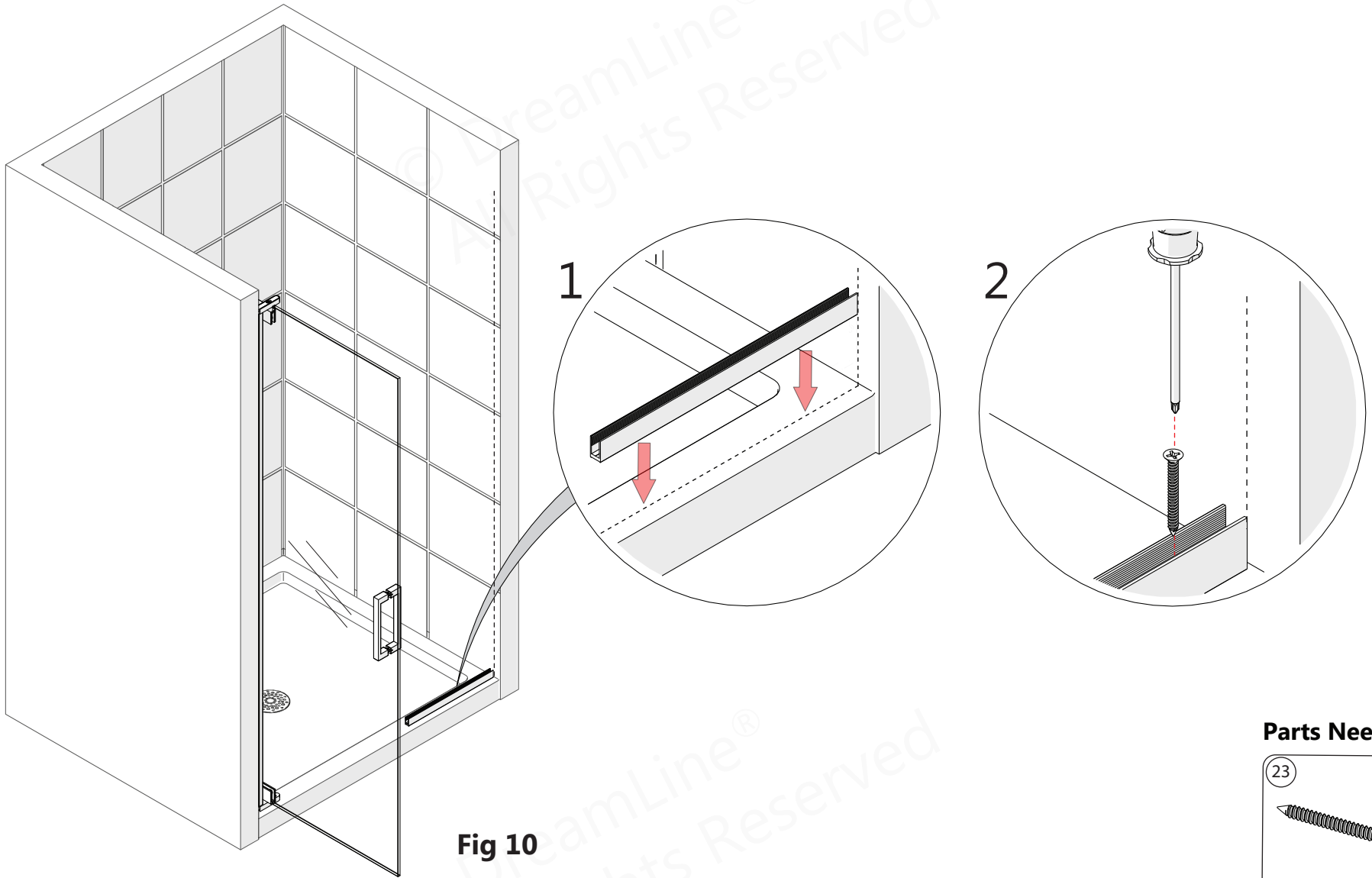
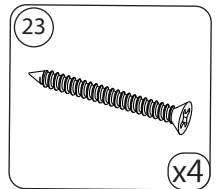


Fig 10

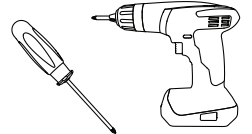


To prevent damage to the glass, be sure that the screws are fully countersunk and that the screw heads do not stick up above the surface of the u-channel

Parts Needed



Tools Needed



11

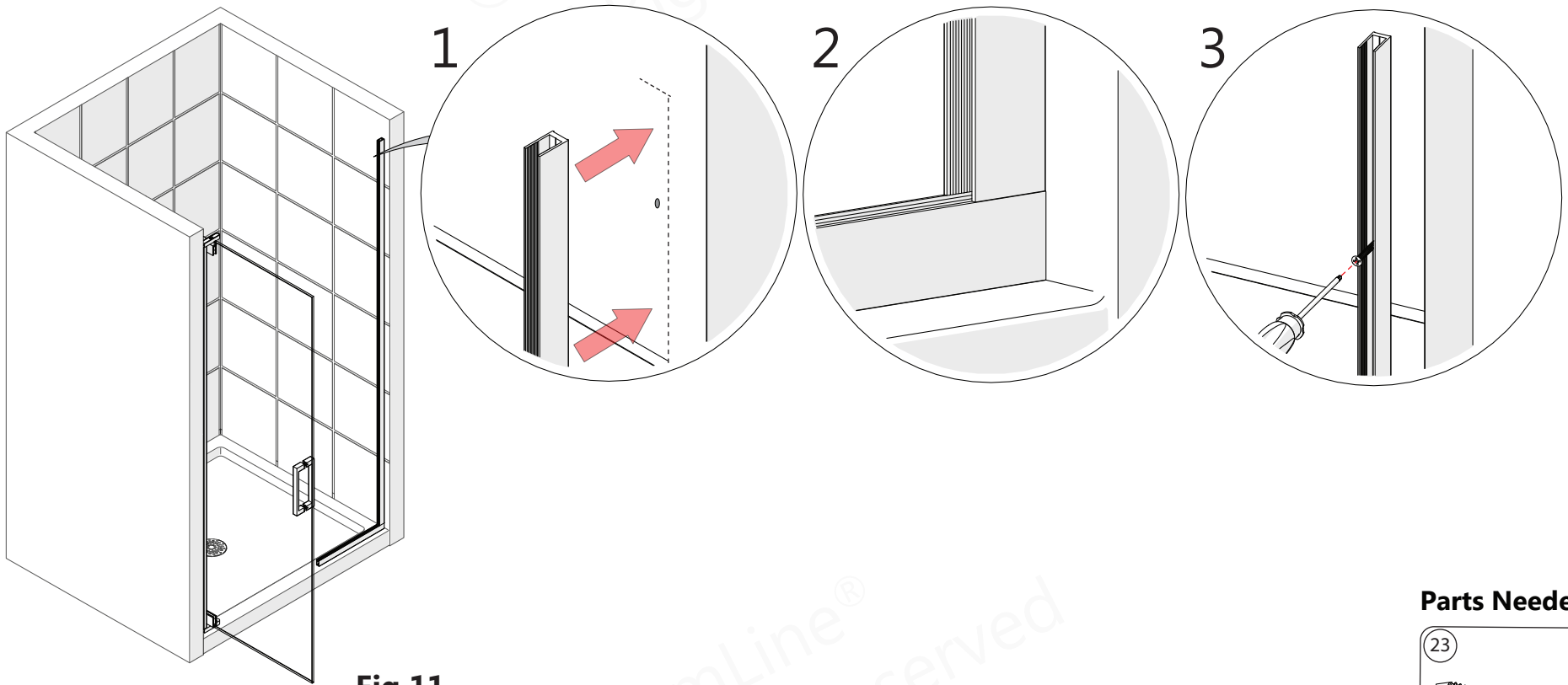
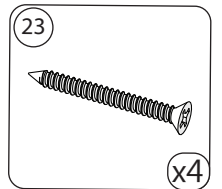
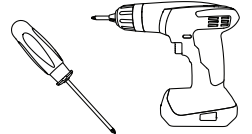


Fig 11

Parts Needed



Tools Needed



12

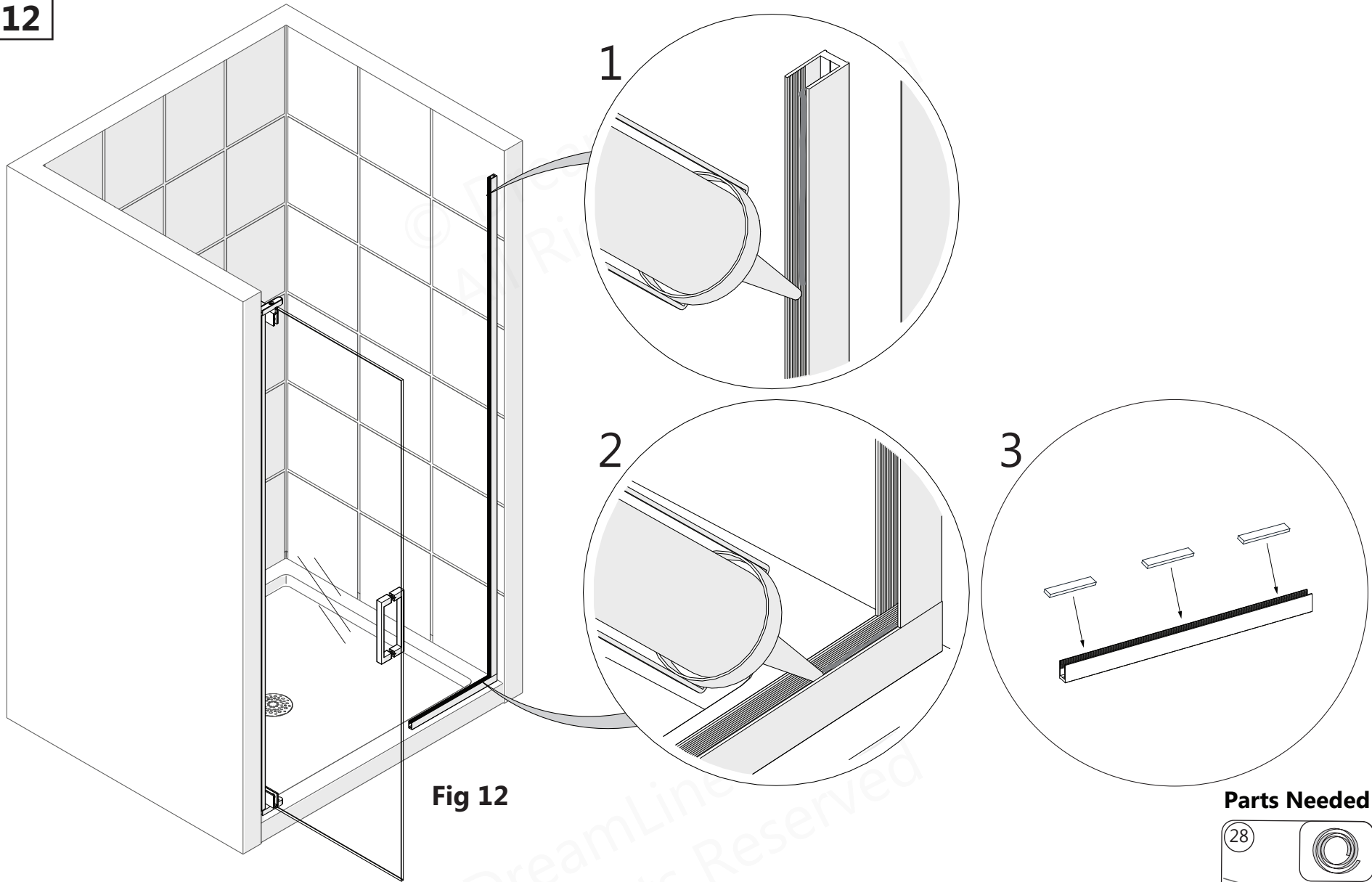
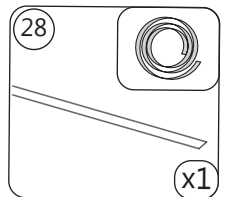


Fig 12

NOTE

After applying silicone into the bottom U-Channel install several 2" - 3" pieces of the PVC Glass Spacer 0.5mm (#28) into the Bottom U-Channel (#29) to protect the bottom edge of the glass. (Fig 12.3)

Parts Needed



Tools Needed



13

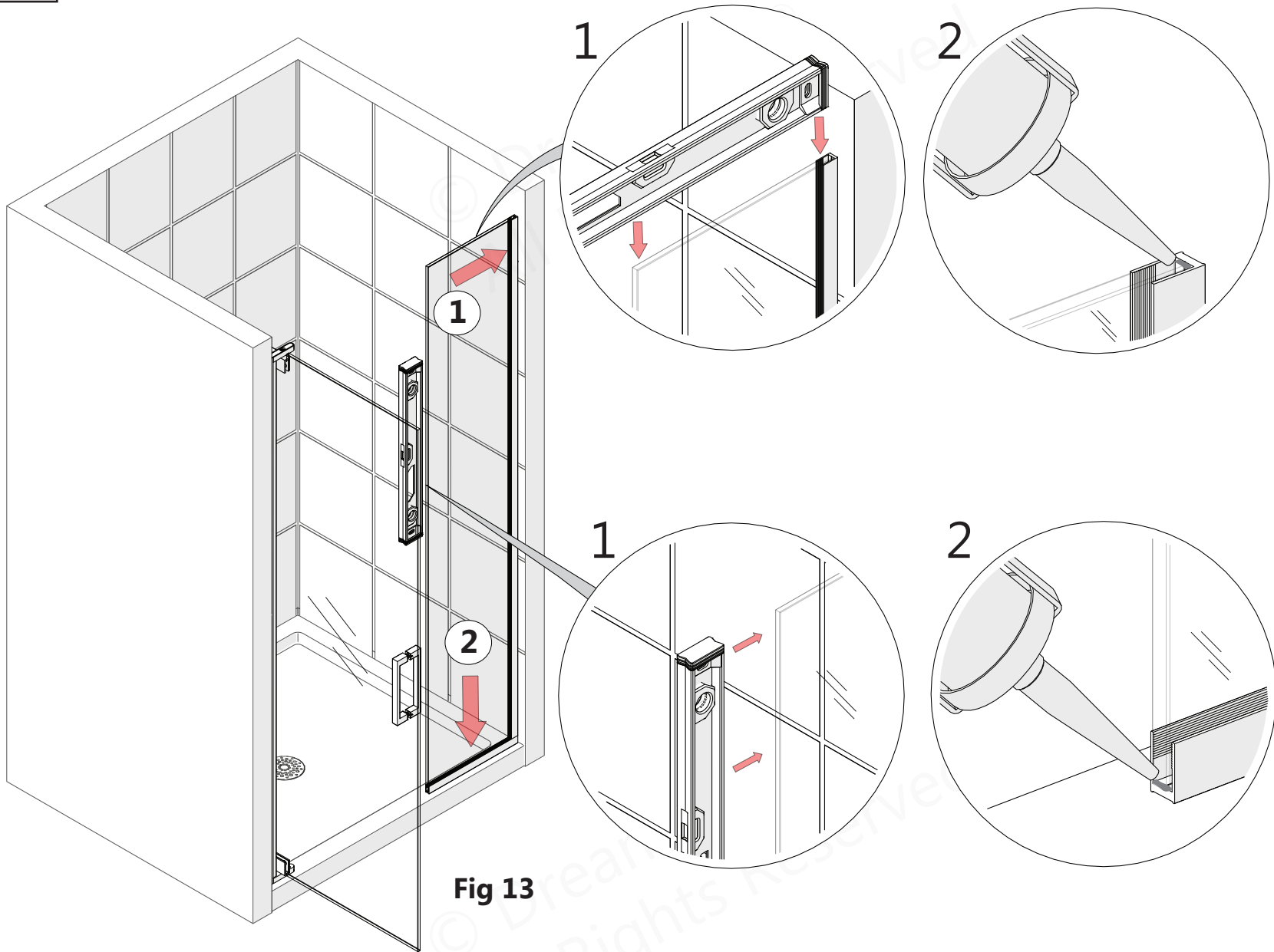


Fig 13

Tools Needed

The tools needed for this step are a level and a pry bar.

14

180° Strike Vinyl Installation

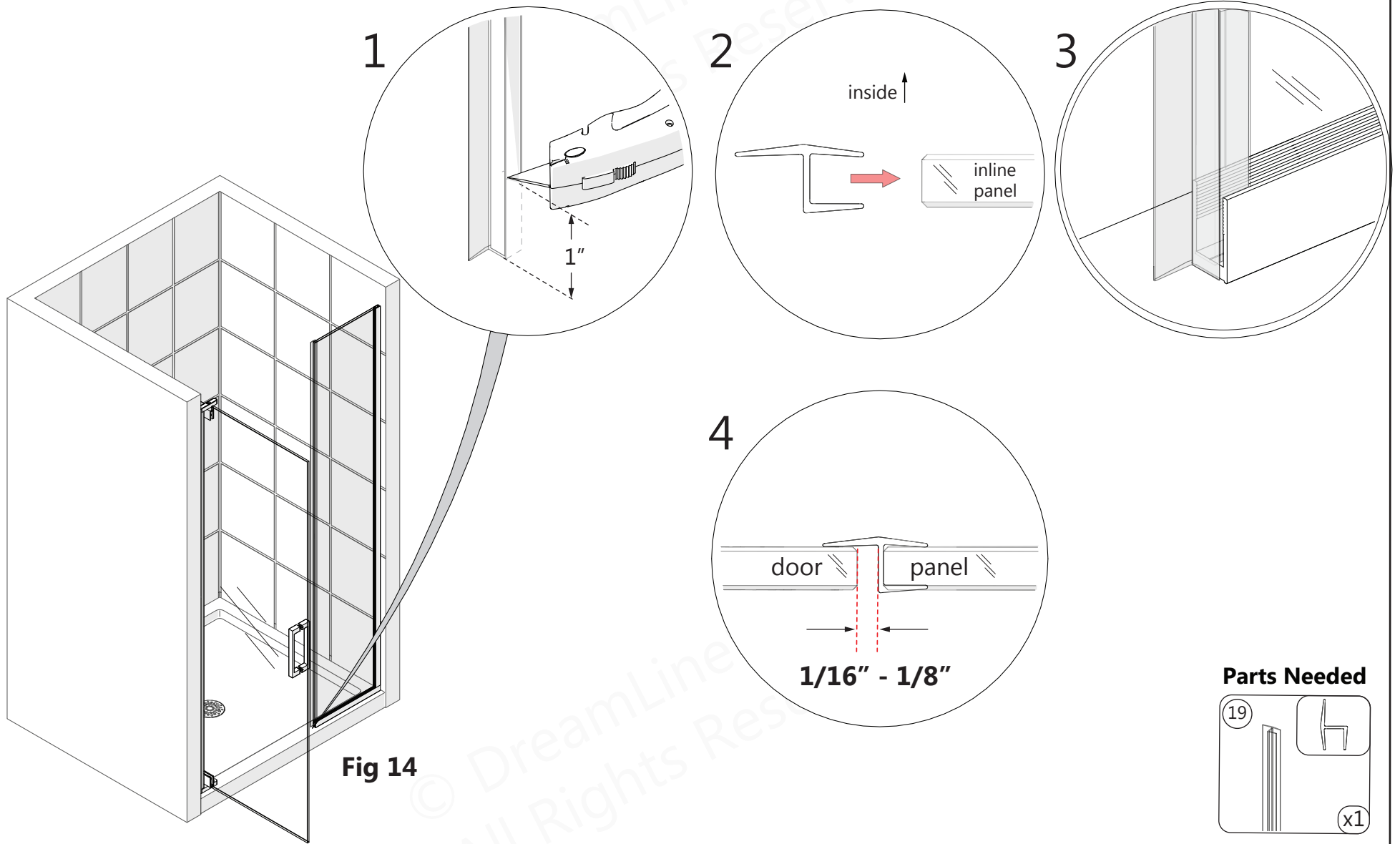
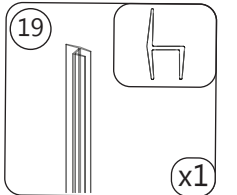
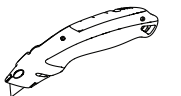


Fig 14

Parts Needed



Tools Needed



15

NOTE

The surfaces need to be clean and free of debris before applying silicone.

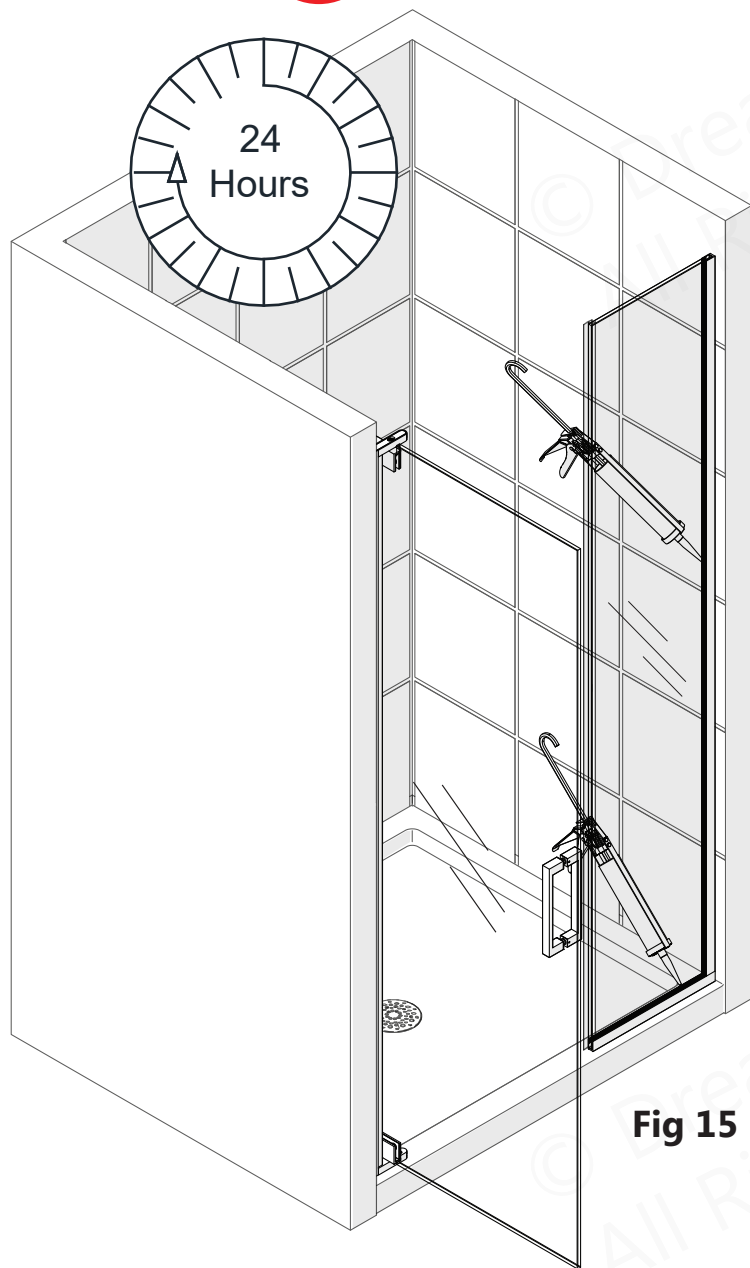


Fig 15

NOTE

If the model does not include an L-Bar™ Support Bracket, this completes the Inline Panel installation.



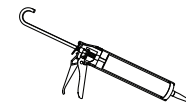
Continue onto the next steps for the installation of the Reversible L-Bar™ Support Bracket (#30): (for models that require the L-Bar Support Bracket)

-Continue to the next installation step or use the manual that is packaged with the Reversible L-Bar™ Support Bracket.



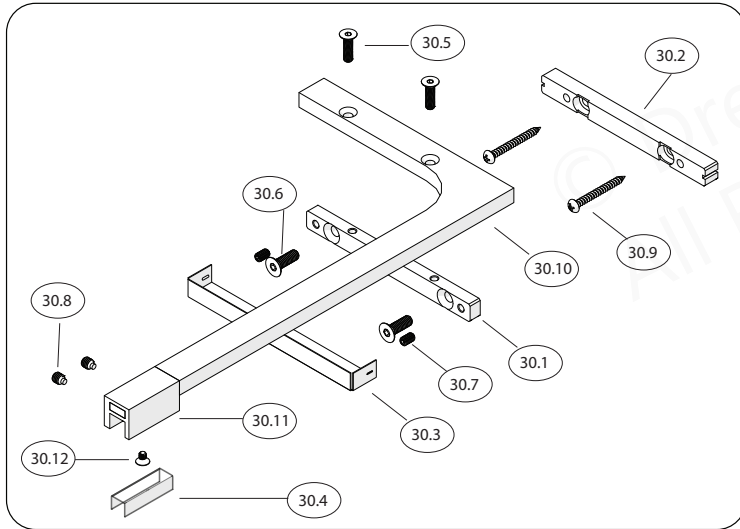
Allow 24 hours for the silicone to cure before using shower

Tools Needed

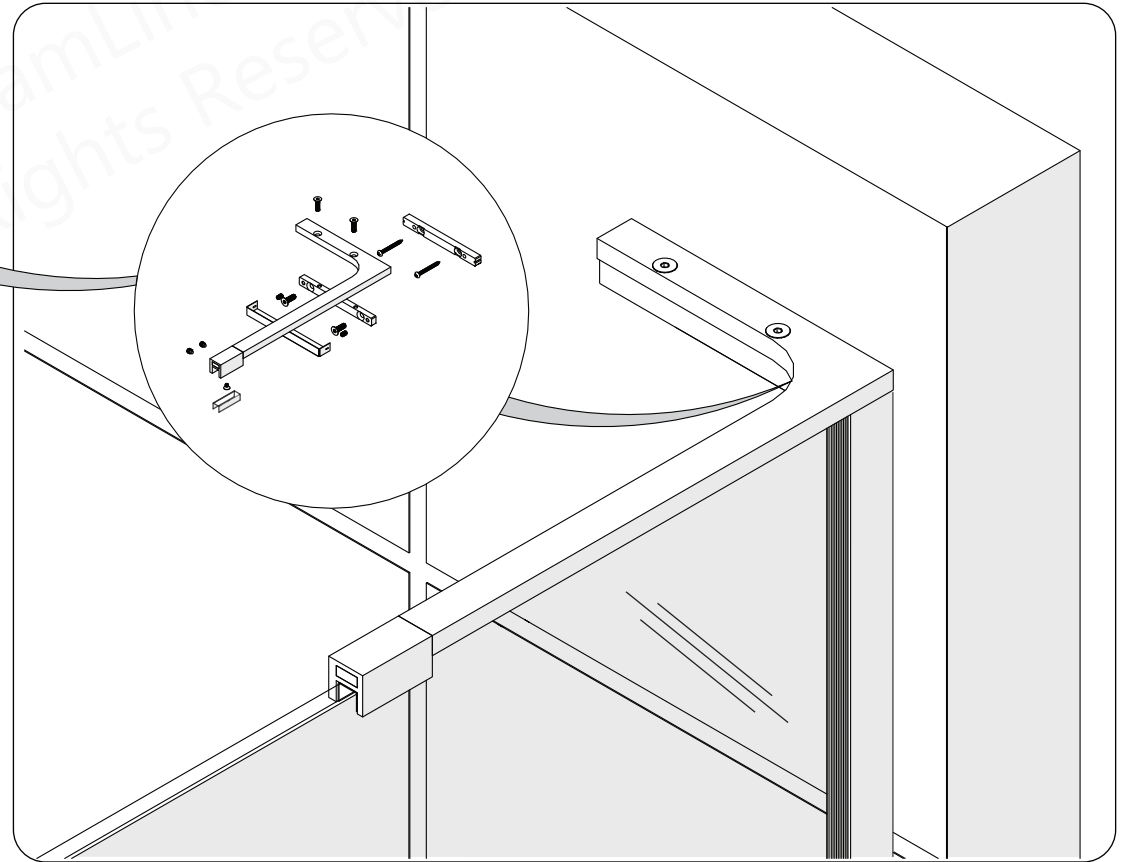


16

Reversible L-Bar™ Installation (L-Bar™ for ELEGANCE PLUS model only)



Right-handed orientation shown*



Right-handed orientation shown

Item	Item Description	Quantity
30.1	Reversible L-Bar™ Adjustable Bracket	1pc
30.2	Reversible L-Bar™ Wall Bracket	1pc
30.3	Reversible L-Bar™ Decorative Cover	1pc
30.4	Sheet Vinyl Gasket	1pc
30.5	M5×18 Screw	2pcs
30.6	M6×18 Screw	2pcs
30.7	M5×8 Set Screw	2pcs
30.8	M6×6 Rubber-Tipped Set Screw	2pcs
30.9	ST4.2 x 40 Truss Head Screw	2pcs
30.10	Reversible L-Bar™ Body	1pc
30.11	Reversible L-Bar™ Glass Holder	1pc
30.12	M4×6 Screw	1pc

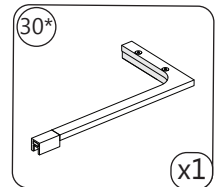


12" L-Bar™ for 22" and 22-1/2" panels
18" L-Bar™ for 30"~ 34" panels



The L-Bar™ (#30) is reversible. All images shown are in the right-handed orientation as an example. To reverse the orientation of the L-Bar™ (#30), refer to pages 29-30 for further instructions.

Parts Needed



17

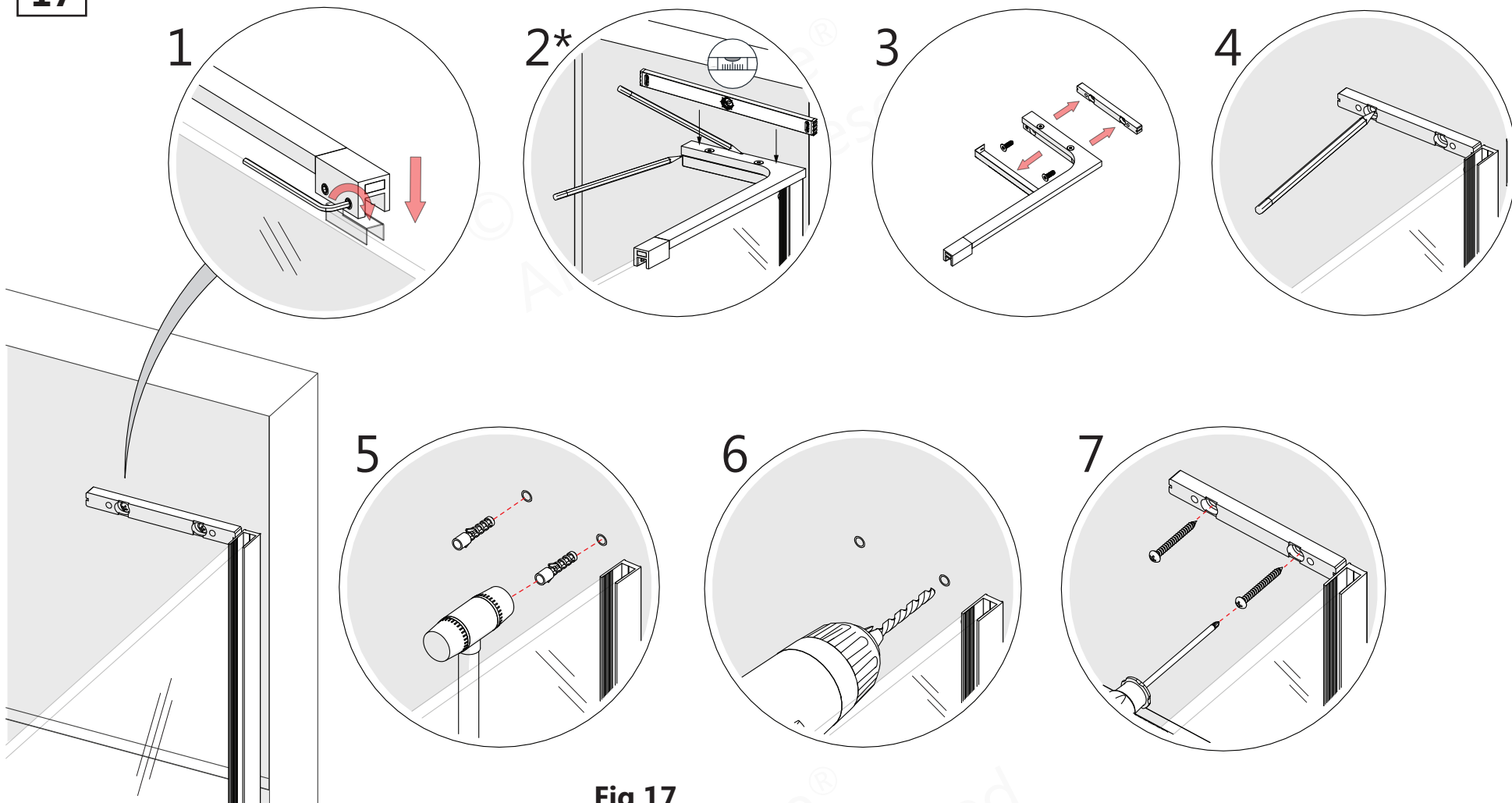


Fig 17

right-handed installation shown

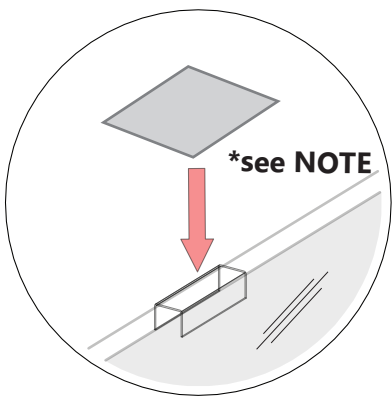
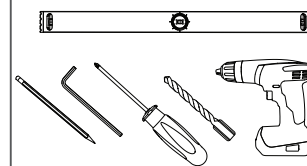


*Leave the L-Bar™ decorative cover attached when marking the L-Bar™ position on the wall to allow space (1/16"-1/8") to re-attach the cover plate after installation.



*The **0.5mm PVC Spacer (#30.4)** for the **L-Bar™ Glass Holder (#30.11)** is shipped flat and this piece must be folded around the top of the **Inline Panel Glass (#11)** during installation.

Tools Needed



18

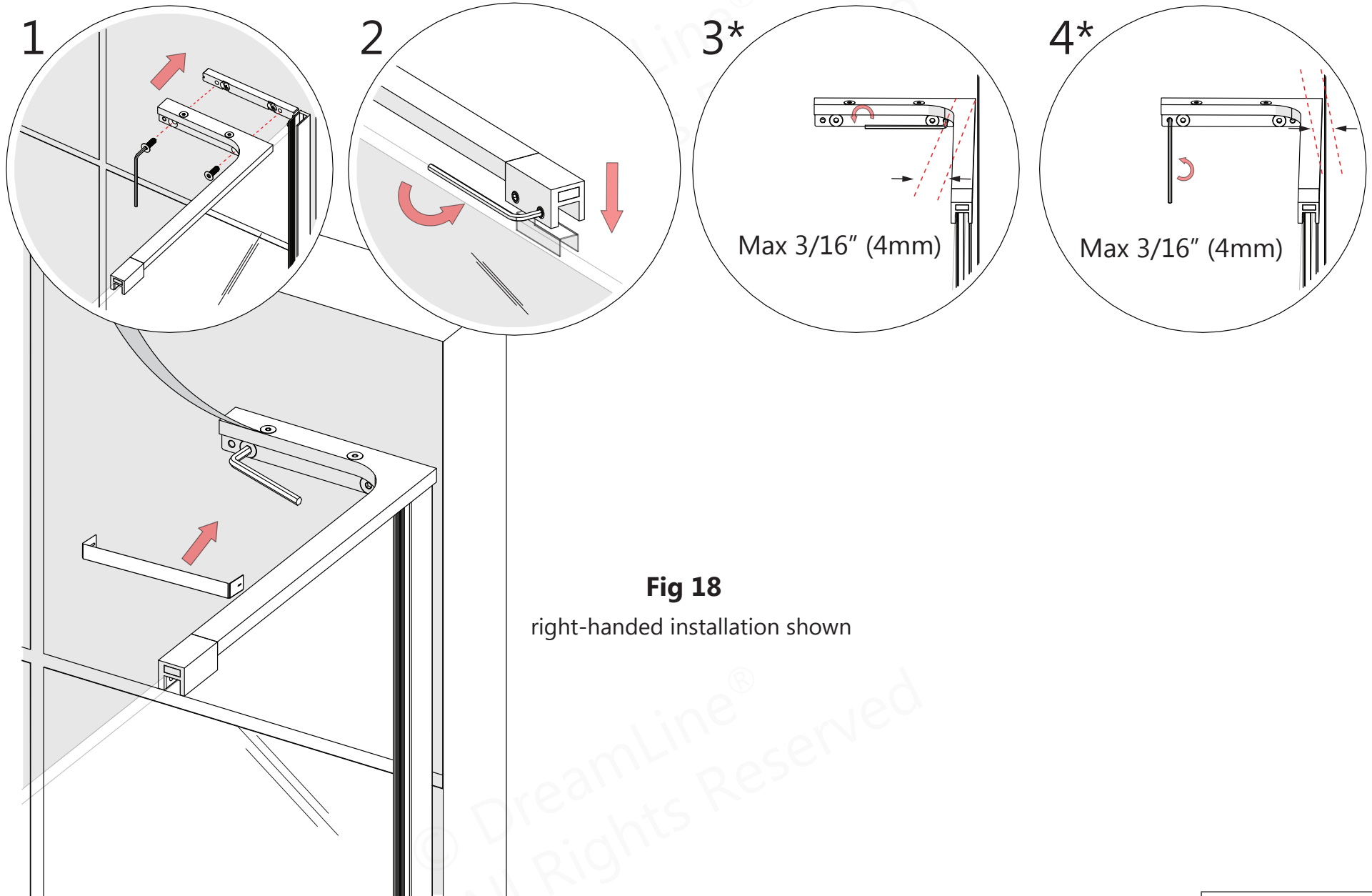


Fig 18

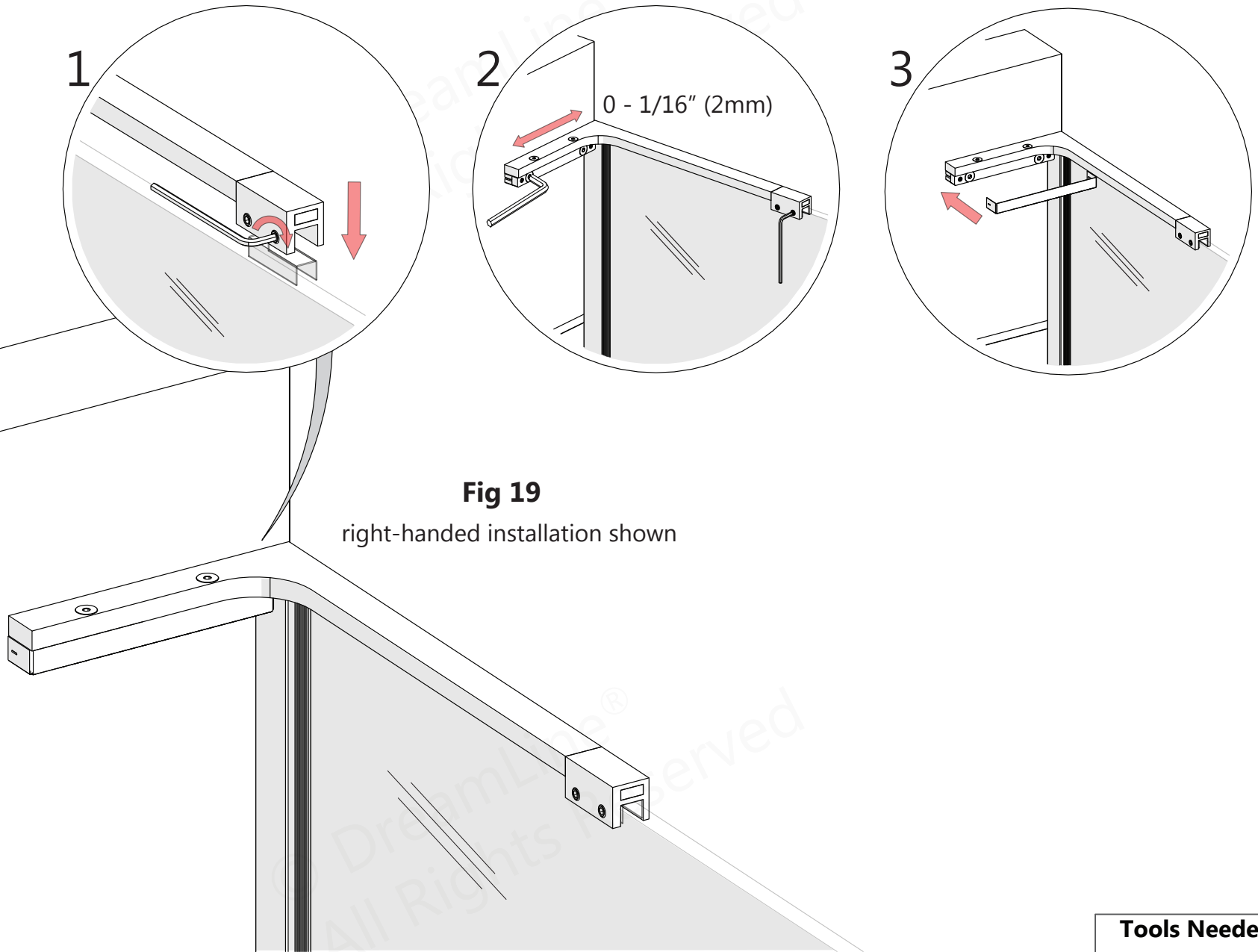
right-handed installation shown

NOTE

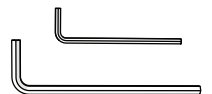
* To adjust the angle of the **L-Bar™**: Loosen the **M5 x 14.5 screws**, rotate the appropriate set screw (See Fig 18.3 and 18.4) to adjust the angle of the **L-Bar™** (up to 3/16" (4mm)) in the desired direction. Hand tighten the **M5 x 14.5** screws after adjustment is complete and replace the decorative cover.

Tools Needed

19



Tools Needed



Product Maintenance

BASES and BACKWALLS: To ensure long lasting life for your acrylic back walls: wipe them off after each use with a soft cloth. To clean the acrylic back walls use non-abrasive sprays or cream based cleaners. Avoid the use of aerosol spray cleaners. Never use abrasive cleansers, metal brushes or scrapers that could permanently scratch or dull the surface.

GLASS: To ensure long lasting life for your glass shower products: wipe them off after each use with a soft cloth. Rinse and wipe off the glass using either a soft cloth or a squeegee to prevent soap buildup and water spots (Hard water can etch the surface of the glass over time if left to dry). To prevent scratching the surface: never use abrasive cleaners or cleaning products that contain scouring agents. Never use bristle brushes or abrasive sponges that may scratch the surface of the glass.

HARDWARE: To ensure a long lasting finish: wipe off all metal parts after each use with a soft cloth. Do not use abrasive cleaners or cleaning products containing ammonia, bleach or acid. If accidentally used, rinse the surface as soon as possible to prevent damage to the finish (peeling or corrosion). After cleaning the polished finishes, rinse thoroughly and wipe dry with a soft clean-cloth.

Clean stainless steel surfaces at least once a week. When applying stainless steel cleaner or polish to stainless steel hardware, work with the grain (not across the grain). Never use an abrasive sponge or cloth, steel wool or wired brush as these may permanently scratch the surfaces.



To maximize the life of your door, it is important to regularly inspect the glass and other hardware for misalignment, proper attachment, and/or damage. Contact DreamLine® with any questions or concerns.

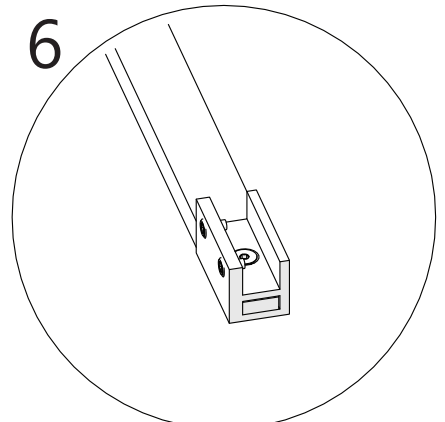
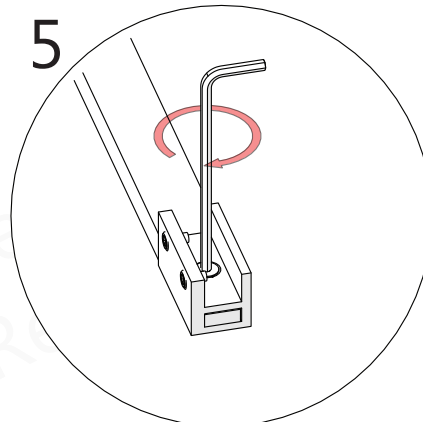
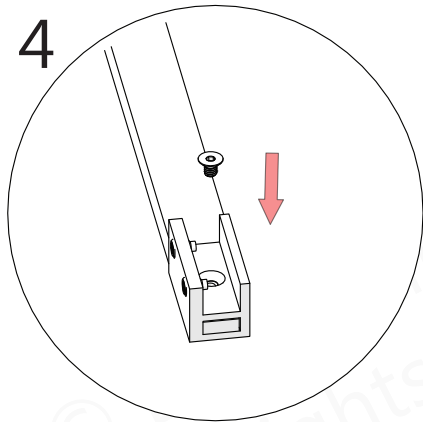
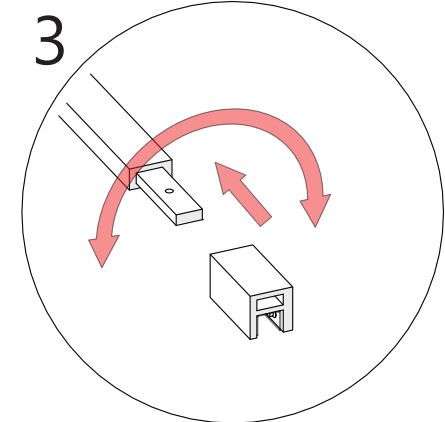
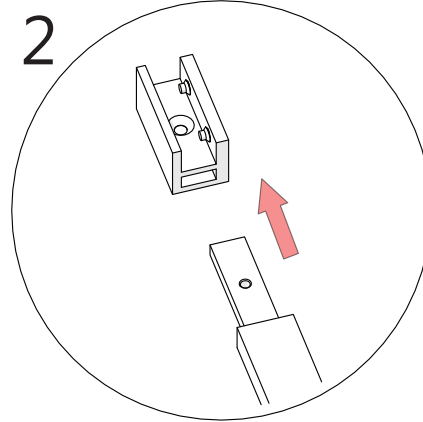
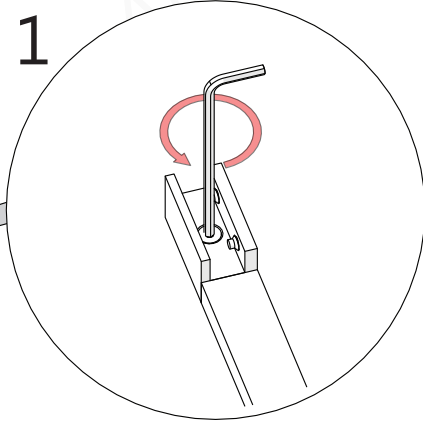
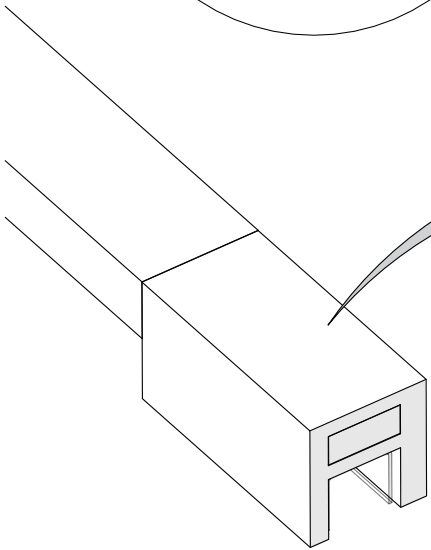
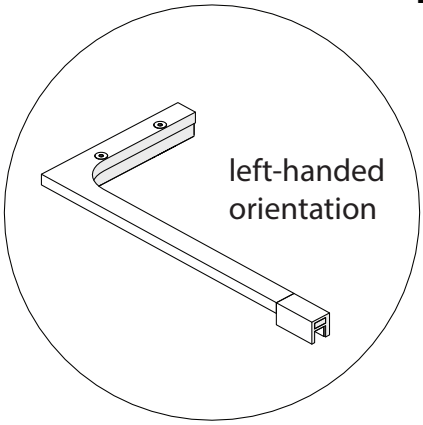
INLINE PANEL (Style F) Maintenance Checklist

- Inspect the U-Channels. Make sure both Bottom and Vertical U-Channels are tightly secured.
- Inspect that the Door Glass and Inline Panel glass are properly aligned when the door is in the closed position.
- Inspect the L-Bar™ (for ELEGANCE PLUS models only). Tighten set-screws if necessary.
- Inspect and replace damaged or missing Vinyl Seals. Order replacement as necessary to prevent leakage.
- Inspect silicone application. Remove and replace as necessary to prevent leakage. (refer to the silicone manufacturer's recommendations on the proper application of their product).
- Remove Vinyl Seals to inspect the edges of the glass for concealed damage.

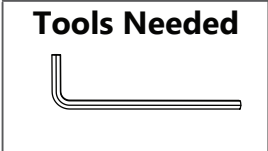
Damaged glass must be replaced!

Reversible L-Bar™ Feature: Glass Holder (for ELEGANCE PLUS model only)

Step 1

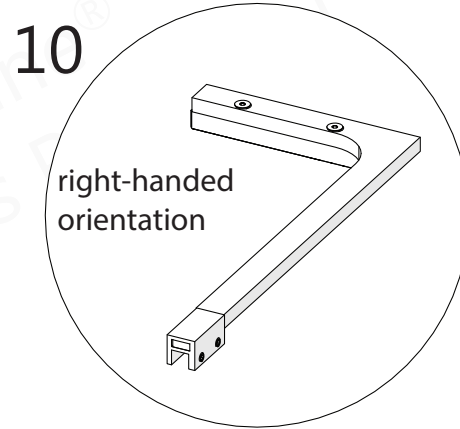
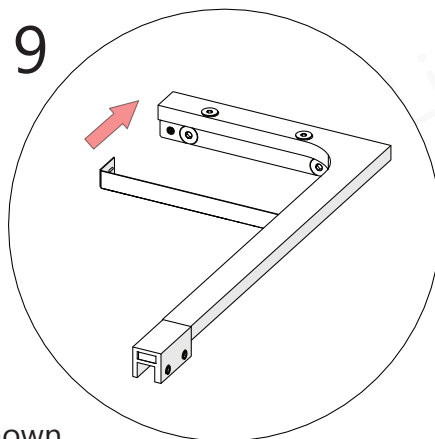
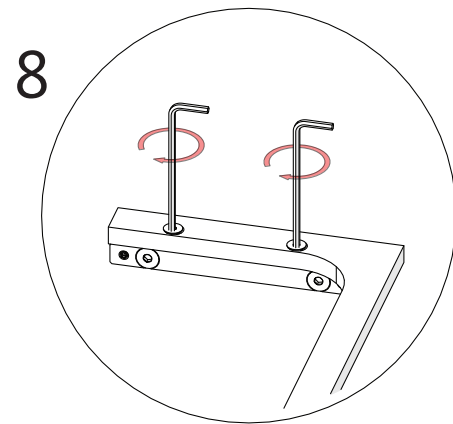
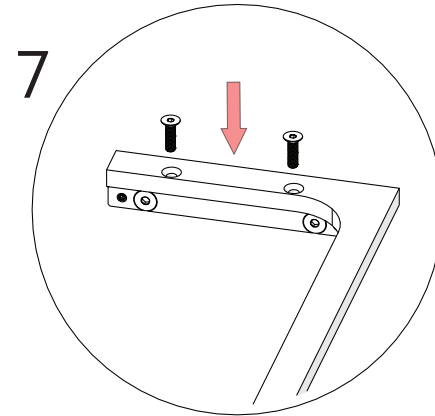
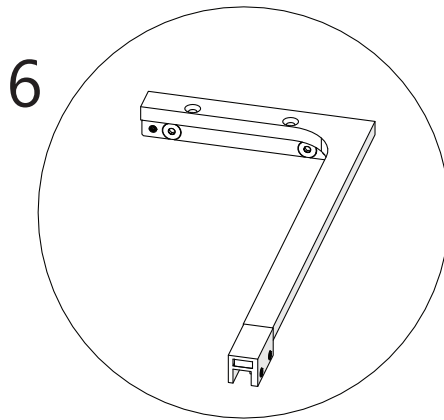
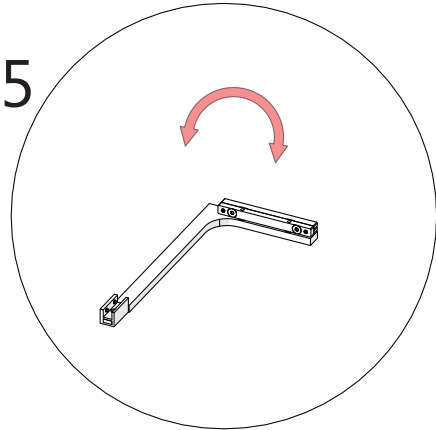
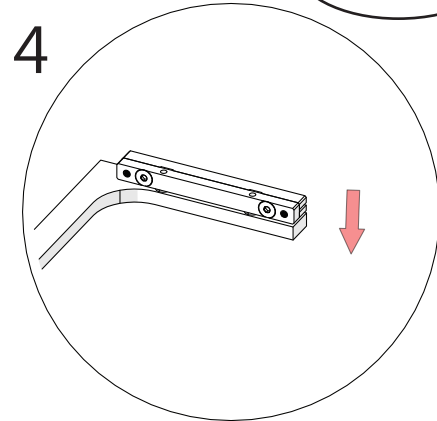
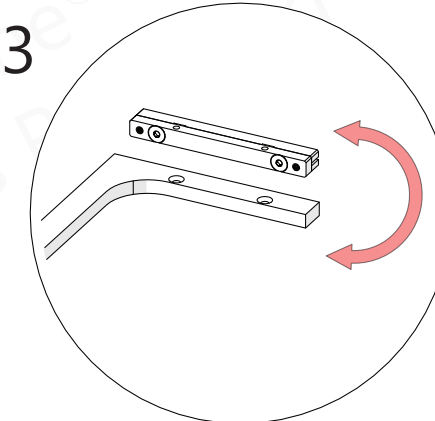
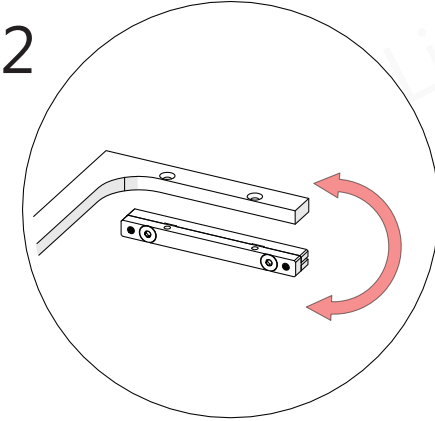
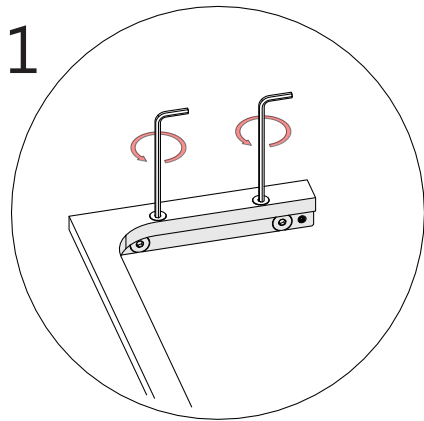


left-to-right handed orientation shown



Reversible L-Bar™ Feature: Wall Bracket

Step 2



left-to-right handed orientation shown

Tools Needed

Troubleshooting

Problem/Symptom	Suggested Solution	Page(s)
Missing Parts	<ul style="list-style-type: none"> • Check all shipping/packaging material for missing parts/components. • If not found, contact DreamLine Customer Support [1-866-731-2244] to order factory part replacement. 	—
Door Glass does not close flush with the 180° Strike Vinyl (#19) and Inline Panel Glass (#11)	<ul style="list-style-type: none"> • Inspect the 180° Degree Strike Vinyl (#19) and ensure the orientation of the vinyl is correct. • Check that the 180° Degree Strike Vinyl (#19) is installed correctly so the Door Glass closes flush with the vinyl. • Check that the reveal between the door and the strike vinyl is consistent/even. Use a level and adjust the assembly. Removal and re-installation may be necessary. 	13;21
Top of Inline Panel Glass (#11) is not flush with the top of the Door Glass	<ul style="list-style-type: none"> • Measure that the height of the Door and Inline Panel Glass is at 72 inches. • Refer to the Door Manual for proper installation of the door. 	—
Leakage: beneath the Bottom U-Channel (#29) and Inline Panel (#11)	<ul style="list-style-type: none"> • Confirm that all screws are tightly secured to the threshold • Inspect the silicone and ensure that a complete application of silicone has been applied. Allow 24 hours for the silicone to cure before using the shower. 	—
L-Bar™ Support Bracket (#30) not installed level with the Inline Panel Glass	<ul style="list-style-type: none"> • Review the L-Bar™ Support Bracket (#30) installation steps to adjust the L-Bar. • Confirm the gaskets are in place to protect the glass • Removal and re-installation may be necessary • The L-Bar must be installed correctly for the safety of the installation 	23-26



Prior to contacting DreamLine® Customer Service, please have the following information readily available:

- Purchase Order Information
 - Name, PO Number, Dealer/Vendor Name, etc.
- SKU/Model Number (see Page 31)
- Factory Part Information (see Page 31)

Factory Parts Information

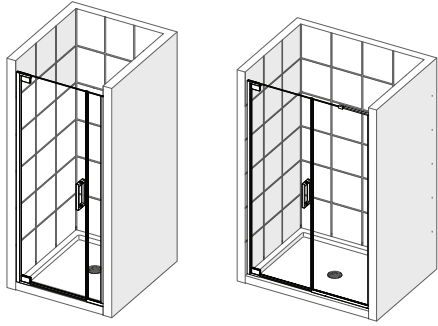
INLINE PANEL [STYLE F] - HARDWARE		FACTORY PARTS INFORMATION	
ITEM #	FACTORY PART NUMBER	ITEM DESCRIPTION	QTY
09	041540 11 -1930 / 041540 41 -1930 / 041540 61 -1930 / 041540 91 -1930	U-Channel 1" Aluminum for 10mm (3/8in.) Glass	1 pc
13	07552148	Wall Anchor 8mm (5/16in)	18 pcs
19	063010100-1829	180 Degree Strike Vinyl for 10mm (3/8in.) Glass	1 pc
23	092108	ST4.2×40mm Countersunk Screw	18 pcs
28	07550083	PVC Glass Spacer 0.5mm	1 pc
29	041540 11 -1118 / 041540 41 -1118 / 041540 61 -1118 / 041540 91 -1118	U-Channel 1" Aluminum for 10mm (3/8in) Glass	1 pc
Exclusive to 22in, 22-1/2in ELEGANCE PLUS INLINE PANEL Models			
30	0712 1 050 / 0712 4 050 / 0712 6 050 / 0712 9 050	L-Bar Support Bracket Reversible 12" for 10mm (3/8in) glass	1 pc
Exclusive to 30in, 30-1/2in, 34in ELEGANCE PLUS INLINE PANEL Models			
30	0712 1 150 / 0712 4 150 / 0712 6 150 / 0712 9 150	L-Bar Support Bracket Reversible 18" for 10mm (3/8in) glass	1 pc

BOLD digit indicates finish: **1** = Chrome; **4** = Brushed Nickel;
6 = Oil Rubbed Bronze; **9**= Satin Black

INLINE PANEL [STYLE F] - GLASS		FACTORY PARTS INFORMATION	
ITEM #	FACTORY PART NUMBER	ITEM DESCRIPTION (Installed Inline Panel Glass Size)	QTY
11	010137095	6-in Inline Panel Glass	1 pc
11	010137117	6-1/2-in Inline Panel Glass	1 pc
11	010137099	14-in Inline Panel Glass	1 pc
11	010137119	14-1/2-in Inline Panel Glass	1 pc
11	010137103	22-in Inline Panel Glass	1 pc
11	010137121	22-1/2-in Inline Panel Glass	1 pc
11	010137109	30-in Inline / Return Panel Glass	1 pc
11	010137123	30-1/2-in Inline / Return Panel Glass	1 pc
11	010137111	34-in Inline / Return Panel Glass	1 pc

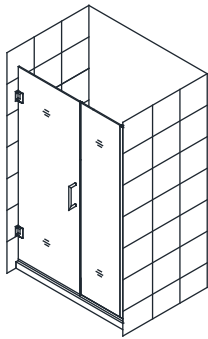
Contact Support@DreamLine.com for Part replacement, installation assistance or additional information.
 Complete **Warranty** information is available on DreamLine.com.

Product SKUs



Elegance Plus w/inline panel

- SHDR-443060-##
- SHDR-443465-##
- SHDR-444014-##
- SHDR-444622-##
- SHDR-4452225-##
- SHDR-4458305-##

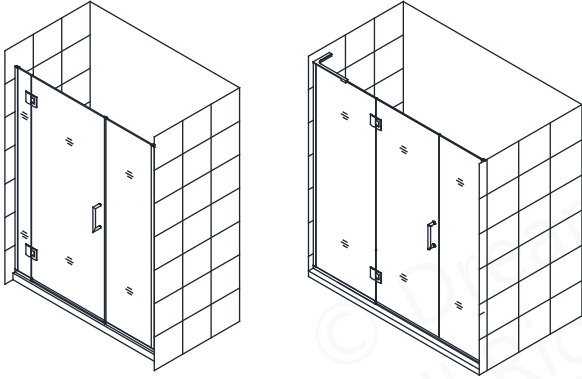


Unidoor Plus Style F

- | | | |
|-------------------|----------------|----------------|
| SHDR-242907210-## | SHDR-244307210 | SHDR-244957210 |
| SHDR-243007210 | SHDR-244407210 | SHDR-245057210 |
| SHDR-243107210 | SHDR-243757210 | SHDR-245157210 |
| SHDR-243207210 | SHDR-243857210 | SHDR-245257210 |
| SHDR-243307210 | SHDR-243957210 | SHDR-245307210 |
| SHDR-243407210 | SHDR-244057210 | SHDR-245407210 |
| SHDR-243507210 | SHDR-244157210 | SHDR-245507210 |
| SHDR-243607210 | SHDR-244257210 | SHDR-245607210 |
| SHDR-242957210 | SHDR-244357210 | SHDR-245707210 |
| SHDR-243057210 | SHDR-244457210 | SHDR-245807210 |
| SHDR-243157210 | SHDR-244507210 | SHDR-245907210 |
| SHDR-243257210 | SHDR-244607210 | SHDR-246007210 |
| SHDR-243357210 | SHDR-244707210 | SHDR-245357210 |
| SHDR-243457210 | SHDR-244807210 | SHDR-245457210 |
| SHDR-243557210 | SHDR-244907210 | SHDR-245557210 |
| SHDR-243657210 | SHDR-245007210 | SHDR-245657210 |
| SHDR-243707210 | SHDR-245107210 | SHDR-245757210 |
| SHDR-243807210 | SHDR-245207210 | SHDR-245857210 |
| SHDR-243907210 | SHDR-244557210 | SHDR-245957210 |
| SHDR-244007210 | SHDR-244657210 | SHDR-246057210 |
| SHDR-244107210 | SHDR-244757210 | |
| SHDR-244207210 | SHDR-244857210 | |

- ## = finish
 01 - Chrome
 04 - Brushed Nickel
 06 - Oil Rubbed Bronze
 09 - Satin Black

Product SKUs



Unidoor-X Style M1

D12306572-##	D1270672	D3230672L	D3262272R
D1230672	D12714572	D3230672R	D32706572L
D12314572	D1271472	D32314572L	D32706572R
D1231472	D12722572	D32314572R	D3270672L
D12322572	D1272272	D3231472L	D3270672R
D1232272	D12730572	D3231472R	D32714572L
D12330572	D1273072	D32406572L	D32714572R
D1233072	D12806572	D32406572R	D3271472L
D12406572	D1280672	D3240672L	D3271472R
D1240672	D12814572	D3240672R	D32806572L
D12414572	D1281472	D32414572L	D32806572R
D1241472	D12822572	D32414572R	D3280672L
D12422572	D1282272	D3241472L	D3280672R
D1242272	D12830572	D3241472R	D32814572L
D12430572	D1283072	D32506572L	D32814572R
D1243072	D12906572	D32506572R	D3281472L
D12506572	D1290672	D3250672L	D3281472R
D1250672	D12914572	D3250672R	D32906572L
D12514572	D1291472	D32514572L	D32906572R
D1251472	D12922572	D32514572R	D3290672L
D12522572	D1292272	D3251472L	D3290672R
D1252272	D12930572	D3251472R	D32914572L
D12530572	D1293072	D32606572L	D32914572R
D1253072	D13006572	D32606572R	D3291472L
D12606572	D1300672	D3260672L	D3291472R
D1260672	D13014572	D3260672R	D33006572L
D12614572	D1301472	D32614572L	D33006572R
D1261472	D13022572	D32614572R	D3300672L
D12622572	D1302272	D3261472L	D3300672R
D1262272	D13030572	D3261472R	D33014572L
D12630572	D1303072	D32622572L	D33014572R
D1263072	D32306572L	D32622572R	D3301472L
D12706572	D32306572R	D3262272L	D3301472R

= finish
 01 - Chrome
 04 - Brushed Nickel
 06 - Oil Rubbed Bronze
 09 - Satin Black



TEL: 866-731-2244
FAX: 866-857-3638
DREAMLINE.COM



For more information on DreamLine® Shower Doors and Enclosures please visit **DreamLine.com**